

# NM93C66A

## 4K-Bit Serial CMOS EEPROM (MICROWIRE™ Bus Interface)

### General Description

The NM93C66A is 4,096 bits of CMOS non-volatile, electrically erasable memory available user organized as either 256 16-bit registers or 512 8-bit registers. The user organization is determined by the status of the ORG input. The memory device is fabricated using Fairchild Semiconductor's floating gate CMOS process for high reliability, high endurance and low power consumption. The NM93C66A is available in both 8-pin SO and TSSOP packages for space considerations.

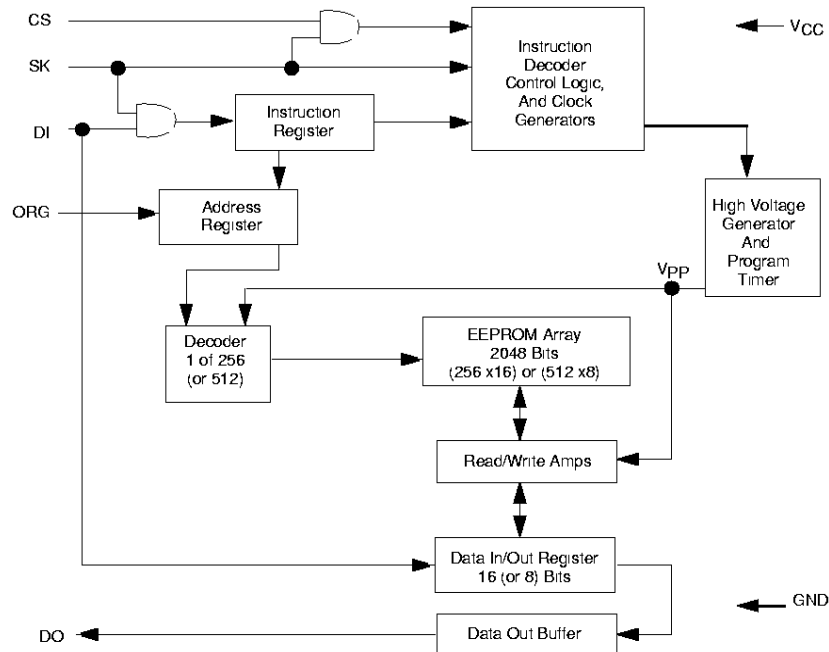
The EEPROM is MICROWIRE compatible for simple interfacing to a wide variety of microcontrollers and microprocessors. There are 7 instructions that operate the NM93C66A: Read, Erase/Write Enable, Erase, Write, Erase/Write Disable, Write All, and Erase All.

The NM93C66A defaults to the 256 x 16 configuration if the ORG pin (Pin 6) is left floating, as it is internally pulled up to  $V_{CC}$ .

### Features

- 2.7V to 5.5V operation in all modes
- Typical active current of 200 $\mu$ A  
10 $\mu$ A standby current typical  
1 $\mu$ A standby current typical (L)  
0.1 $\mu$ A standby current typical (LZ)
- Self-timed programming cycle
- Device status indication during programming mode
- No erase required before write
- Reliable CMOS floating gate technology
- MICROWIRE compatible serial I/O
- 40 years data retention
- Endurance: 1,000,000 data changes
- Packages available: 8-pin TSSOP, 8-pin SO, 8-pin DIP

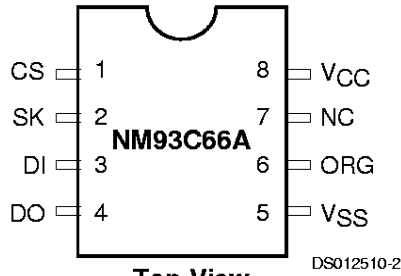
### Block Diagram



DS012510-1

## Connection Diagram

Dual-In-Line Package (N)  
8-Pin SO Package (M8)  
and 8-Pin TSSOP Package (MT8)



Top View

See Package Number  
N08E, M08A and MTC08

## Pin Names

Pin	Description
CS	Chip Select
SK	Serial Data Clock
DI	Serial Data Input
DO	Serial Data Output
V <sub>SS</sub>	Ground
ORG	Memory Organization Select
NC	No Connect
V <sub>CC</sub>	Positive Power Supply

## Ordering Information

<b>NM</b>	<b>93</b>	<b>C</b>	<b>XX</b>	<b>A</b>	<b>LZ</b>	<b>E</b>	<b>XX</b>		
								<b>Package</b>	N M8 MT8
								<b>Temp. Range</b>	None V E
								<b>Voltage Operating Range</b>	Blank L LZ
								<b>Density</b>	A 66
								<b>Interface</b>	C 93
									<b>NM</b>
									<b>Letter Description</b>
									8-Pin DIP
									8-Pin SO8
									8-Pin TSSOP
									0 to 70°C
									-40 to +125°C
									-40 to +85°C
									4.5V to 5.5V
									2.7V to 4.5V
									2.7V to 4.5V and
									<1µA Standby Current
									x8 or x16 Configuration
									4K
									CMOS
									MICROWIRE
									<b>Fairchild Non-Volatile Memory</b>

### Absolute Maximum Ratings (Note 1)

Ambient Storage Temperature	-65°C to +150°C
All Input or Output Voltages with Respect to Ground	$V_{CC} + 1$ to $-0.3V$
Lead Temperature (Soldering, 10 seconds)	+300°C
ESD Rating	2000V

### Operating Conditions

Ambient Operating Temperature	0°C to +70°C
NM93C66A	-40°C to +85°C
NM93C66AE	-40°C to +125°C
NM93C66AV	
Power Supply ( $V_{CC}$ ) Range	4.5V to 5.5V

### DC and AC Electrical Characteristics $4.5V \leq V_{CC} \leq 5.5V$

Symbol	Parameter	Part Number	Conditions	Min	Max	Units
$I_{CCA}$	Operating Current		$CS = V_{IH}, SK=1$ MHz		1	mA
$I_{CCS}$	Standby Current		$CS = 0V$ ORG = $V_{CC}$ or NC		50	$\mu A$
$I_{IL}$	Input Leakage		$V_{IN} = 0V$ to $V_{CC}$ (Note 2)	-1	1	$\mu A$
$I_{ILO}$	Input Leakage ORG Pin		ORG Tied to $V_{CC}$ ORG Tied to $V_{SS}$ (Note 3)	-1 -2.5	1 2.5	$\mu A$
$I_{OL}$	Output Leakage		$V_{IN} = 0V$ to $V_{CC}$	-1	1	$\mu A$
$V_{IL}$	Input Low Voltage			-0.1	0.8	V
$V_{IH}$	Input High Voltage			2	$V_{CC} + 1$	V
$V_{OL1}$	Output Low Voltage		$I_{OL} = 2.1$ mA		0.4	V
$V_{OH1}$	Output High Voltage		$I_{OH} = -400$ $\mu A$	2.4		V
$V_{OL2}$	Output Low Voltage		$I_{OL} = 10$ $\mu A$		0.2	V
$V_{OH2}$	Output High Voltage		$I_{OL} = -10$ $\mu A$	$V_{CC} - 0.2$		V
$f_{SK}$	SK Clock Frequency		(Note 4)	0	1	MHz
$t_{SKH}$	SK High Time	NM93C66A NM93C66AE		250 300		ns
$t_{SKL}$	SK Low Time			250		ns
$t_{SKS}$	SK Setup Time		SK must be at $V_{IL}$ for $t_{SKS}$ before CS goes high	50		ns
$t_{CS}$	Minimum CS Low Time		(Note 5)	250		ns
$t_{CSS}$	CS Set-Up Time			50		ns
$t_{DH}$	DO Hold Time			70		ns
$t_{DIS}$	DI Set-Up Time	NM93C66A NM93C66AE/V		100 200		ns
$t_{CSH}$	CS Hold Time			0		ns
$t_{DIH}$	DI Hold Time			20		ns
$t_{PD1}$	Output Delay to "1"				500	ns
$t_{PD0}$	Output Delay to "0"				500	ns
$t_{SV}$	CS to Status Valid				500	ns
$t_{DF}$	CS to DO in TRI-STATE®				100	ns
$t_{WP}$	Write Cycle Time				10	ms

### Absolute Maximum Ratings (Note 1)

Ambient Storage Temperature	-65°C to +150°C
All Input or Output Voltage with Respect to Ground	+6.5V to -0.3V
Lead Temperature (Soldering, 10 sec.)	+300°C
ESD Rating	2000V

### Operating Range

Ambient Operating Temperature	0°C to +70°C
NM93C66AL/LZ	-40°C to +85°C
NM93C66ALE/LZE	-40°C to +125°C
NM93C66ALV/LZV	
Power Supply (V <sub>CC</sub> )	2.7V to 4.5V

### Low V<sub>CC</sub> (2.7V to 4.5V) DC and AC Electrical Characteristics

Symbol	Parameter	Part Number	Conditions	Min.	Max.	Units
I <sub>CCA</sub>	Operating Current		CS = V <sub>IH</sub> , SK = 250KHz		1	mA
I <sub>CCS</sub>	Standby Current		CS = V <sub>IL</sub>		10	μA
	L				1	μA
	LZ					
I <sub>IL</sub>	Input Leakage		V <sub>IN</sub> = 0V to V <sub>CC</sub> (Note 2)		±1	μA
I <sub>ILO</sub>	Input Leakage		ORG tied to V <sub>CC</sub>	-1	1	μA
	ORG Pin		ORG tied to V <sub>SS</sub> (Note 3)	-2.5	2.5	μA
I <sub>OL</sub>	Output Leakage		V <sub>IN</sub> = 0V to V <sub>CC</sub>		±1	μA
V <sub>IL</sub>	Input Low Voltage			-0.1	0.15 V <sub>CC</sub>	V
V <sub>IH</sub>	Input High Voltage			0.8 V <sub>CC</sub>	V <sub>CC</sub> + 1	V
V <sub>OL</sub>	Output Low Voltage		I <sub>OL</sub> = 10 μA		0.1 V <sub>CC</sub>	V
V <sub>OH</sub>	Output High Voltage		I <sub>OH</sub> = -10 μA	0.9 V <sub>CC</sub>		V
f <sub>SK</sub>	SK Clock Frequency		(Note 4)	0	250	KHz
t <sub>SKH</sub>	SK High Time			1		μs
t <sub>SKL</sub>	SK Low Time			1		μs
t <sub>SKS</sub>	SK Setup Time		SK must be at V <sub>IL</sub> for t <sub>SKS</sub> before CS goes high	0.2		μs
t <sub>CS</sub>	Minimum CS Low Time		(Note 5)	1		μs
t <sub>CSS</sub>	CS Setup Time			0.2		μs
t <sub>DH</sub>	DO Hold Time			70		ns
t <sub>DIS</sub>	DI Setup Time			0.4		μs
t <sub>CSH</sub>	CS Hold Time			0		ns
t <sub>DIH</sub>	DI Hold Time			0.4		μs
t <sub>PD1</sub>	Output Delay to "1"				2	μs
t <sub>PD0</sub>	Output Delay to "0"				2	μs
t <sub>SV</sub>	CS to Status Valid				1	μs
t <sub>DF</sub>	CS to DO in TRI-STATE		CS = V <sub>IL</sub>		0.4	μs
t <sub>WP</sub>	Write Cycle Time				15	ms

### Capacitance T<sub>A</sub> = 25°C, f = 1 MHz

Symbol	Test	Typ	Max	Units
C <sub>OUT</sub>	Output Capacitance		5	pF
C <sub>IN</sub>	Input Capacitance		5	pF

**Note 1** Stress above those listed under "Absolute Maximum Ratings" may cause permanent damage to the device. This is a stress rating only and functional operation of the device at these or any other conditions above those indicated in the operational sections of the specification is not implied. Exposure to absolute maximum rating conditions for extended periods may affect device reliability.

**Note 2** Typical leakage values are in the 20 nA range.

**Note 3** The ORG pin may draw > 1 μA when in the x8 mode due to an internal pull-up transistor.

**Note 4** The shortest allowable SK clock period = 1/f<sub>SK</sub> (as shown under the f<sub>SK</sub> parameter). Maximum SK clock speed (minimum SK period) is determined by the interaction of several AC parameters stated in the datasheet. Within this SK period, both t<sub>SKH</sub> and t<sub>SKL</sub> limits must be observed. Therefore, it is not allowable to set 1/f<sub>SK</sub> = t<sub>SKMinimum</sub> + t<sub>SKMinimum</sub> for shorter SK cycle time operation.

**Note 5** CS (Chip Select) must be brought low (to V<sub>IL</sub>) for an interval of t<sub>CS</sub> in order to reset all internal device registers (device reset) prior to beginning another opcode cycle. (This is shown in the opcode diagrams in the following pages.)

### AC Test Conditions

V <sub>CC</sub> Range	V <sub>IL</sub> /V <sub>IH</sub> Input Levels	V <sub>IL</sub> /V <sub>IH</sub> Timing Level	V <sub>OL</sub> /V <sub>OH</sub> Timing Level	I <sub>OL</sub> /I <sub>OH</sub>
2.7V ≤ V <sub>CC</sub> ≤ 5.5V (Extended Voltage Levels)	.03V/1.8V	1.0V	0.8V/1.5V	±10μA
4.5V ≤ V <sub>CC</sub> ≤ 5.5V (TTL Levels)	0.4V/2.4V	1.0V/2.0V	0.4V/2.4V	-2.1mA/0.4mA
Output Load: 1 TTL Gate (C <sub>L</sub> = 100 pF)				

## MICROWIRE I/O Pin Description

### Chip Select (CS):

This pin enables and disables the MICROWIRE device and performs 3 general functions:

1. When in the low state, the MICROWIRE device is disabled and the output tri-stated (high impedance). If this pin is brought high (rising edge active), all internal registers are reset and the device is enabled, allowing MICROWIRE communication via DI/DO pins. To restate, the CS pin must be held high during all device communication and opcode functions. If the CS pin is brought low, all functions will be disabled and reset when CS is brought high again. The exception to this is when a programming cycle is initiated (see 2 and 3). Again, all activity on the CS, DI and DO pins is ignored until CS is brought high.
2. After entering all required opcode and address data, bringing CS low initiates the (asynchronous) programming cycle.
3. When programming is in progress, the Data-Out pin will display the programming status as either BUSY (DO low) or READY (DO high) when CS is brought high. (Again, the output will be tri-stated when CS is low.) To restate, during programming, the CS pin may be brought high and low any number of times to view the programming status without affect the programming operation. Once programming is completed (Output in READY state), the output is 'cleared' (returned to normal tri-state condition) by clocking in a Start Bit. After the Start Bit is clocked in, the output will return to a tri-stated condition. When clocked in, this Start Bit can be the first bit in a command string, or CS can be brought low again to reset all internal circuits.

### Serial Clock (SK):

This pin is the clock input (rising edge active) for clocking in all opcodes and data on the DI pin and clocking out all data on the DO pin. However, this pin has no effect on the asynchronous programming cycle (see the CS pin section) as the READY/BUSY status is a function of the CS pin only.

### Data-In (DI):

All serial communication into the device is performed using this input pin (rising edge active). In order to avoid false Start Bits, or related issues, it is advised to keep the DI pin in the low state unless actually clocking in data bits (Start Bit, Opcode, Address or incoming data bits to be programmed). Please note that the first '1' clocked into the device (after CS is brought high) is seen as a Start Bit and the beginning of a serial command string, so caution must be observed when bringing CS high.

### Data-Out (DO):

All serial communication out of the device (READ opcode) is performed using this output pin (rising edge active) as well as indicating the READY/BUSY status during the asynchronous programming cycle. Note that, during READ operations, the output data is clocked out after the last address bit (A0) is clocked in. If a 3-wire application is required (where DI and DO are tied together), sections in AN-758, or related application notes, must be followed for correct operation.

### Organization (ORG):

This pin controls the device architecture (8-bit data word vs. 16-bit data word). If the ORG pin is brought to  $V_{CC}$ , the device is configured with a 16-bit data word and if the ORG pin is brought to  $V_{SS}$  (Ground), the device is configured with an 8-bit data word (refer to other sections for details of both configurations). If the ORG pin is left floating, the device will default to a 16-bit data word.

## Instruction Set for NM93C66A

ORG Pin Logic	Memory	
	Configuration	# of Address Bits
0	512 x 8	9 Bits
1	256 x 16	8 Bits

### 256 by 16-Bit Organization (NM93C66A when $ORG = V_{CC}$ or NC)

Instruction	SB	OP-Code 2 Bits	Address 8 Bits	Data 16 Bits	Comments
READ	1	10	A7–A0		Read data stored in selected registers.
EWEN	1	00	11XXXXXX		Enables programming modes.
EWDS	1	00	00XXXXXX		Disables all programming modes.
ERASE	1	11	A7–A0		Erase selected register.
WRITE	1	01	A7–A0	D15–D0	Writes data pattern D15–D0 into selected register.
ERAL	1	00	10XXXXXX		Erases all registers.
WRAL	1	00	01XXXXXX	D15–D0	Writes data pattern D15–D0 into all registers.

### 512 by 8-Bit Organization (NM93C66A when $ORG = GND$ )

Instruction	SB	OP-Code 2 Bits	Address 9 Bits	Data 8 Bits	Comments
READ	1	10	A8–A0		Read data stored in selected registers.
EWEN	1	00	11XXXXXXXX		Enables programming modes.
EWDS	1	00	00XXXXXXXX		Disables all programming modes.
ERASE	1	11	A8–A0		Erase selected register.
WRITE	1	01	A8–A0	D7–D0	Writes data pattern D7–D0 into selected register.
ERAL	1	00	10XXXXXXXX		Erases all registers.
WRAL	1	00	01XXXXXXXX	D7–D0	Writes data pattern D7–D0 into all registers.

## Functional Description

### Programming:

1. Programming is initiated by clocking in the Start Bit, Opcode bits, Address bits and the 8/16 data bits (refer to the  $ORG$  pin section).
2. Programming is started by bringing the CS pin low. Once the programming cycle is started, it cannot be stopped. (Bringing  $V_{CC}$  low will stop any programming, but will also result in data corruption.)
3. The status of the programming cycle (BUSY or READY) is observed by bringing the CS pin high and observing the output state. If the output is LOW, the device is still programming (BUSY). If the output is HIGH, the programming cycle has been completed and the device is ready for the next operation. Note that the output will be tri-stated each time CS is brought low and the R/B status will be shown each time CS is brought high.
4. After programming, the READY state (output HIGH) can be reset and the output tri-stated by clocking in a single Start Bit. This Start Bit can be the first bit in a command string, or CS can be brought low again to reset all internal circuits. In any case, clocking in a '1' bit will tri-state the output.

### Read (READ):

The READ instruction outputs serial data on the DO pin. After a READ instruction is received, the instruction and address are decoded, followed by data transfer from the selected memory register into a serial-out shift register. A dummy bit (logical 0) precedes the serial data output string. Output data changes are initiated by a low to high transition of SK after the last address bit (A0) is clocked in.

### Erase/Write Enable (EWEN):

When  $V_{CC}$  is applied to the part, it "powers up" in the Erase/Write Disable (EWDS) state. Therefore, all programming modes must be preceded by an Erase/Write Enable (EWEN) instruction. Once an Erase/Write Enable instruction is executed, programming remains enabled until an Erase/Write Disable (EWDS) instruction is executed or  $V_{CC}$  is removed from the part.

## Functional Description (Continued)

### Erase/Write Disable (EWDS):

To protect against accidental data overwrites, the Erase/Write Disable (EWDS) instruction disables all programming modes and should follow all programming operations. Execution of a READ instruction is independent of both the EWEN and EWDS instructions.

### Erase (ERASE):

The ERASE instruction will program all bits in the specified register to the logical "1" state. Please refer to the Programming section for details.

### Write (WRITE):

The WRITE instruction is followed by 16 bits of data (or 8 bits of data when using the NM93C66A in the x8 organization) to be written into the specified address. Please refer to the Programming section for details.

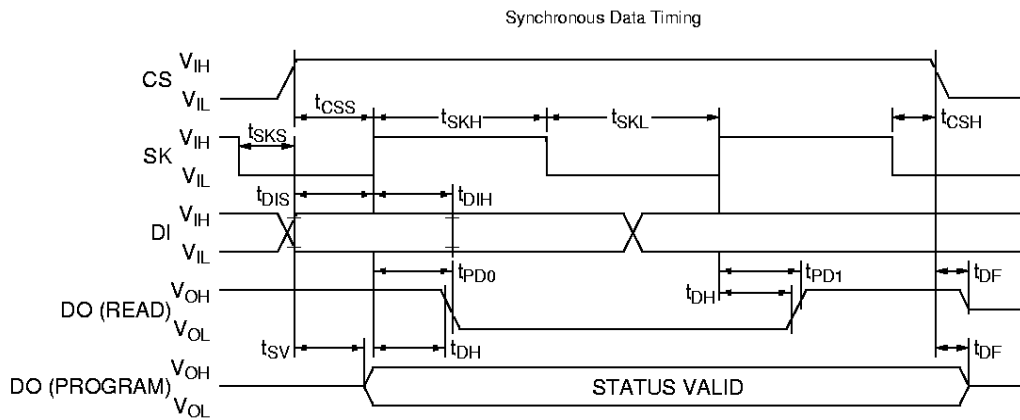
### Erase All (ERAL):

The ERAL instruction will simultaneously program all registers in the memory array to the logical "1" state.

### Write All (WRAL):

The WRAL instruction will simultaneously program all registers with the data pattern specified in the instruction.

## Timing Diagrams for the NM93C66A

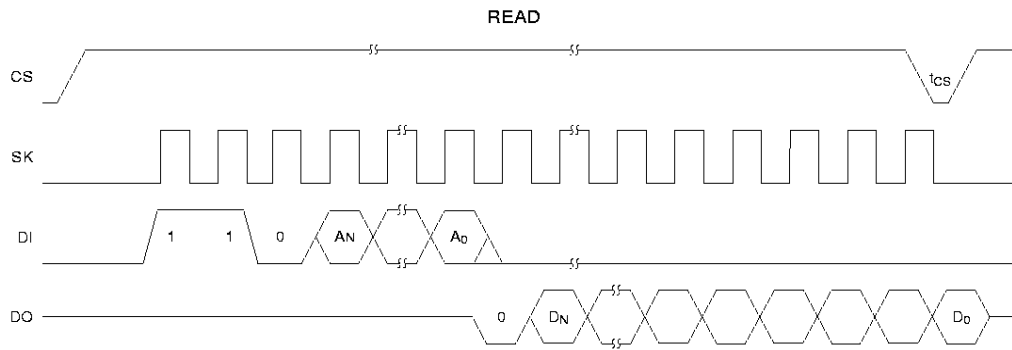


DS012510-4

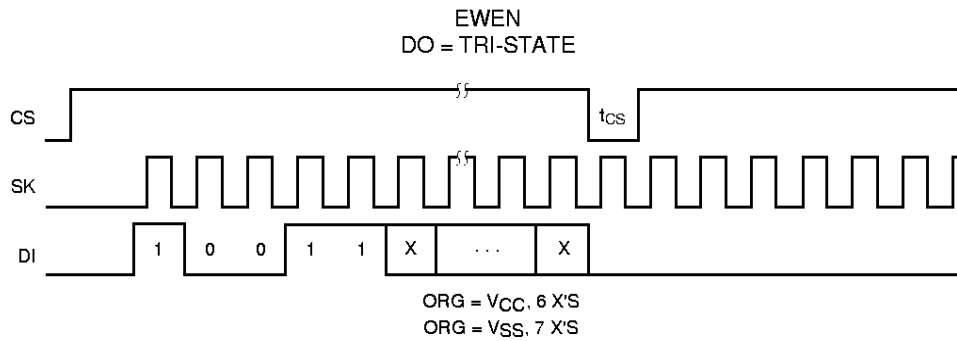
### Timing Diagrams for the NM93C66A (Continued)

#### Key for Timing Diagrams Organization of Address and Data Fields for the NM93C66A

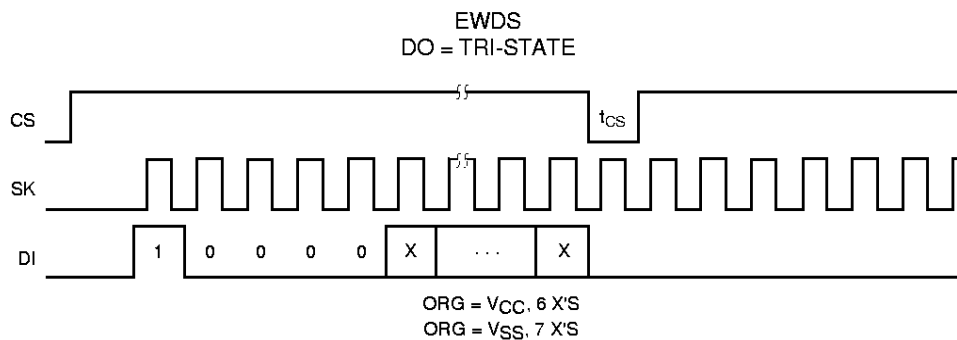
ORG Pin	Organization	A <sub>N</sub>	D <sub>N</sub>
V <sub>CC</sub> or NC	256 x 16	A7	D15
V <sub>SS</sub>	512 x 8	A8	D7



DS012510-5



DS012510-6

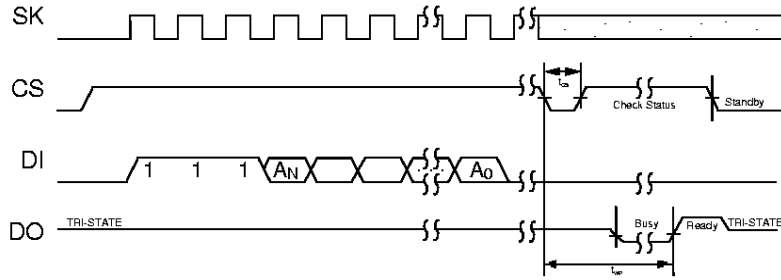


DS012510-7



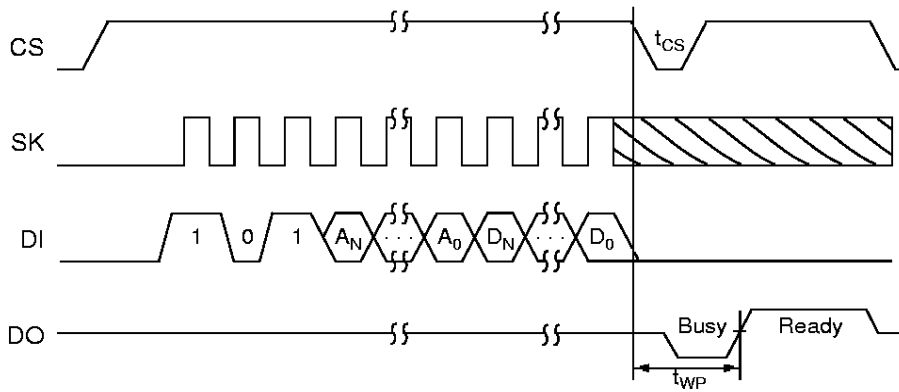
### Timing Diagrams for the NM93C66A (Continued)

#### ERASE



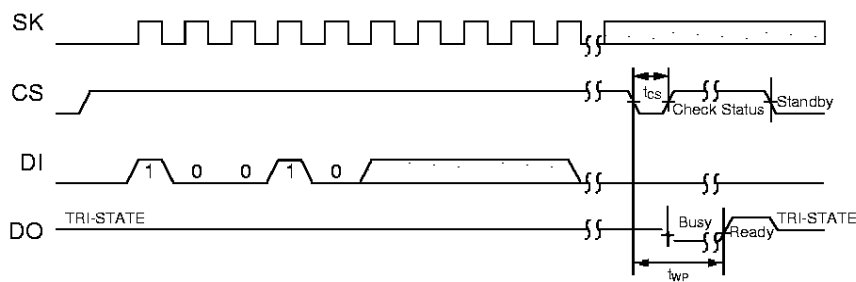
DS012510-8

#### WRITE



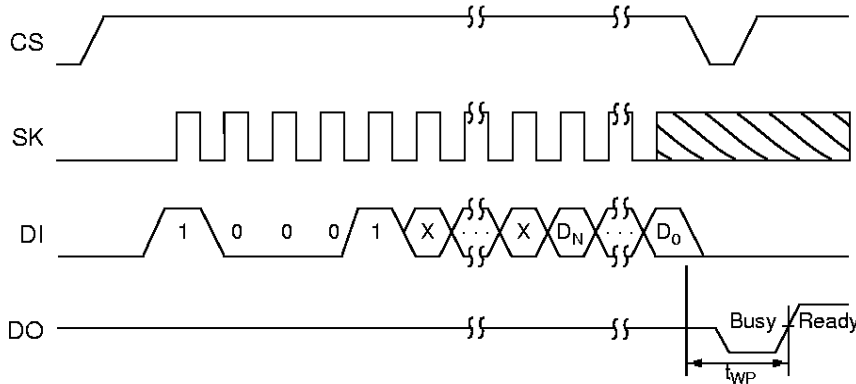
DS012510-9

#### ERASE



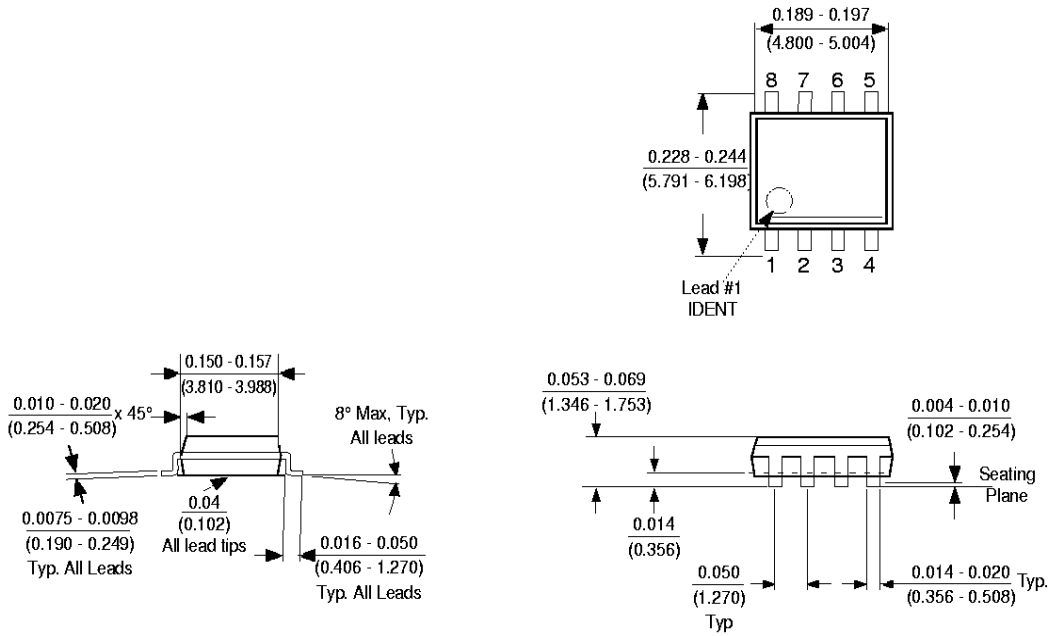
DS012510-10

#### WRAL



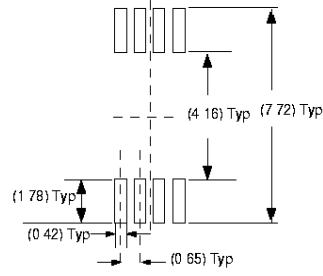
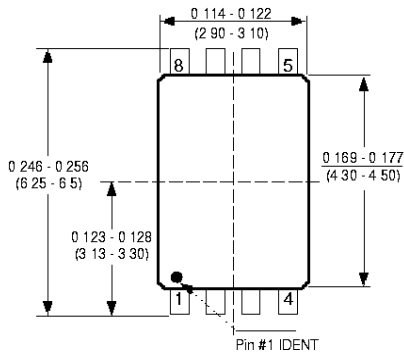
DS012510-11

**Physical Dimensions** inches (millimeters) unless otherwise noted

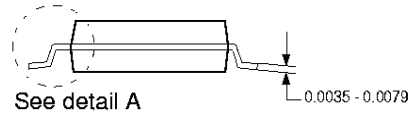
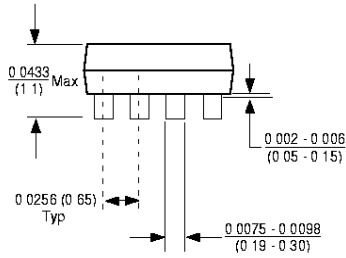


**Molded Small Outline Package (M8)  
Package Number M08A**

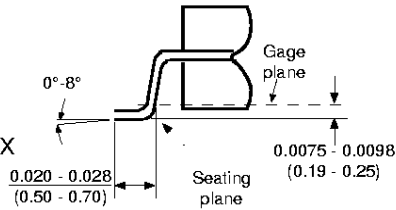
**Physical Dimensions** inches (millimeters) unless otherwise noted



Land pattern recommendation



**DETAIL A**  
Typ. Scale: 40X

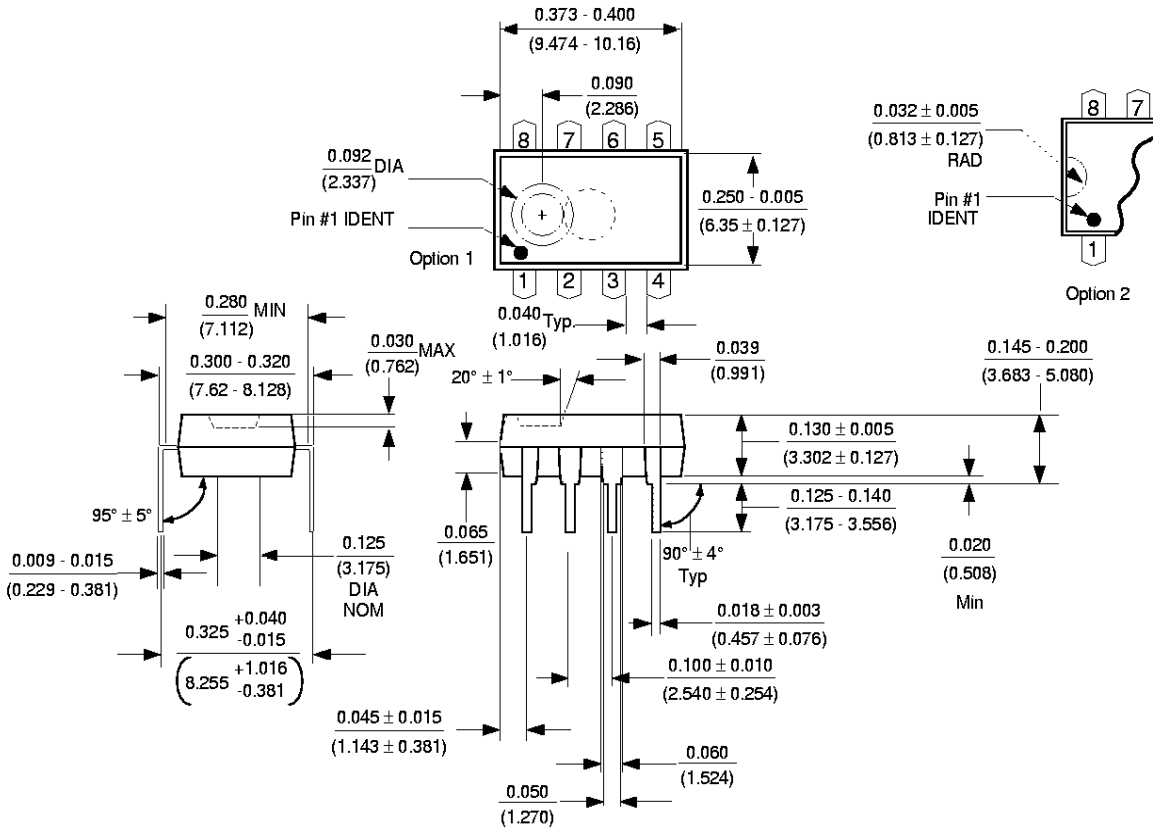


Notes: Unless otherwise specified

1. Reference JEDEC registration MO153. Variation AA. Dated 7/93

**8-Pin Molded TSSOP, JEDEC (MT8)  
Package Number MTC08**

**Physical Dimensions** inches (millimeters) unless otherwise noted



**Molded Dual-In-Line Package (N)  
Package Number N08E**

**Life Support Policy**

Fairchild's products are not authorized for use as critical components in life support devices or systems without the express written approval of the President of Fairchild Semiconductor Corporation. As used herein:

1. Life support devices or systems are devices or systems which, (a) are intended for surgical implant into the body, or (b) support or sustain life, and whose failure to perform, when properly used in accordance with instructions for use provided in the labeling, can be reasonably expected to result in a significant injury to the user.
2. A critical component is any component of a life support device or system whose failure to perform can be reasonably expected to cause the failure of the life support device or system, or to affect its safety or effectiveness.

**Fairchild Semiconductor  
Americas  
Customer Response Center**  
Tel 1-888-522-5372

**Fairchild Semiconductor  
Europe**  
Fax +44 (0) 1793-856856  
Deutsch Tel +49 (0) 8141-6102-0  
English Tel +44 (0) 1793-856856  
Français Tel +33 (0) 1-6930-3696  
Italiano Tel +39 (0) 2-249111-1

**Fairchild Semiconductor  
Hong Kong**  
8/F, Room 808, Empire Centre  
68 Mody Road, Tsimshatsui East  
Kowloon Hong Kong  
Tel, +852-2722-8338  
Fax +852-2722-8383

**Fairchild Semiconductor  
Japan Ltd.**  
4F, Natsume Bldg  
2-18-6, Yushima, Bunkyo-ku  
Tokyo, 113-0034 Japan  
Tel 81-3-3818-8640  
Fax 81-3-3818-8641

Fairchild does not assume any responsibility for use of any circuitry described, no circuit patent licenses are implied and Fairchild reserves the right at any time without notice to change said circuitry and specifications.