

Single Digitally Controlled Potentiometer (XDCP™)

The Intersil X9314 is a solid state nonvolatile potentiometer and is ideal for digitally controlled resistance trimming.

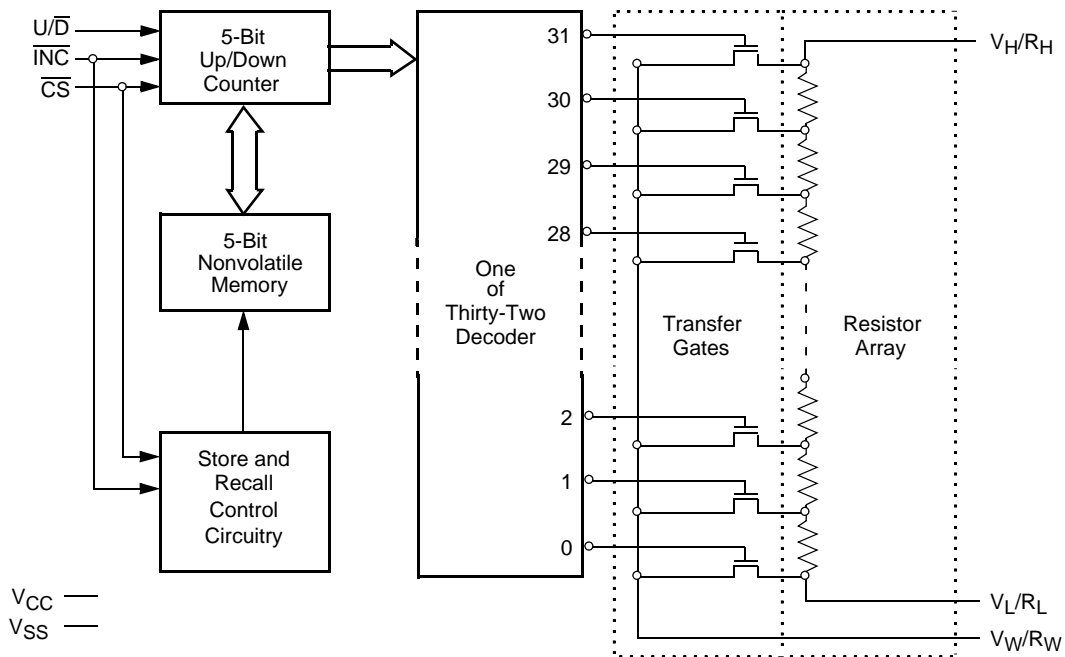
The X9314 is a resistor array composed of 31 resistive elements. Between each element and at either end are tap points accessible to the wiper element. The position of the wiper element is controlled by the CS, U/D, and INC inputs. The position of the wiper can be stored in nonvolatile memory and then be recalled upon a subsequent power-up operation.

The XDCP can be used as a three-terminal potentiometer or as a two-terminal variable resistor in a wide variety of applications including control, parameter adjustments, and signal processing.

Features

- Solid State Potentiometer
- 32 Taps
- 10k Ω End to End Resistance
- Three-Wire Up/Down Serial Interface
- Wiper Resistance, 40 Ω Typical
- Nonvolatile Storage and Recall on Power-up of Wiper Position Standby Current < 500 μ A Max (Total Package)
- V_{CC} = 3V to 5.5V Operation
- 100 Year Data Retention
- Offered in MSOP, SOIC Packages
- Pb-Free Plus Anneal Available (RoHS Compliant)

Block Diagram



Ordering Information

PART NUMBER	PART MARKING	V _{CC} RANGE	R _{TOTAL} (kΩ)	TEMP RANGE (°C)	PACKAGE		
X9314WM*	314W	5V ±10%	10	0 to +70	8 Ld MSOP		
X9314WMZ (Note)				0 to +70	8 Ld MSOP (Pb-free)		
X9314WMI*	14WI			-40 to +85	8 Ld MSOP		
X9314WMIZ (Note)				-40 to +85	8 Ld MSOP (Pb-free)		
X9314WP	X9314WP			0 to +70	8 Ld PDIP		
X9314WPI	X9314WP I			-40 to +85	8 Ld PDIP		
X9314WS*	X9314W			0 to +70	8 Ld SOIC		
X9314WSI*	X9314W I			-40 to +85	8 Ld SOIC		
X9314WSIZ (Note)				-40 to +85	8 Ld SOIC (Pb-free)		
X9314WSZ* (Note)	X9314W Z			0 to +70	8 Ld SOIC (Pb-free)		
X9314WM-3*	14WD			3V to 5.5V		0 to +70	8 Ld MSOP
X9314WMZ-3 (Note)						0 to +70	8 Ld MSOP (Pb-free)
X9314WMI-3*	AAY	-40 to +85	8 Ld MSOP				
X9314WMIZ-3 (Note)		-40 to +85	8 Ld MSOP (Pb-free)				
X9314WP-3	X9314WP D	0 to +70	8 Ld PDIP				
X9314WS-3*	X9314W D	0 to +70	8 Ld SOIC				
X9314WSZ-3 (Note)		0 to +70	8 Ld SOIC (Pb-free)				

*Add "T1" suffix for tape and reel.

NOTE: Intersil Pb-free plus anneal products employ special Pb-free material sets; molding compounds/die attach materials and 100% matte tin plate termination finish, which are RoHS compliant and compatible with both SnPb and Pb-free soldering operations. Intersil Pb-free products are MSL classified at Pb-free peak reflow temperatures that meet or exceed the Pb-free requirements of IPC/JEDEC J STD-020.

Pin Descriptions

V_H/R_H and V_L/R_L

The high (V_H/R_H) and low (V_L/R_L) terminals of the X9314 are equivalent to the fixed terminals of a mechanical potentiometer. The minimum voltage is $-5V$ and the maximum is $+5V$. It should be noted that the terminology of V_L/R_L and V_H/R_H references the relative position of the terminal in relation to wiper movement direction selected by the U/\bar{D} input and not the voltage potential on the terminal.

V_W/R_W

V_W/R_W is the wiper terminal, equivalent to the movable terminal of a mechanical potentiometer. The position of the wiper within the array is determined by the control inputs. The wiper terminal series resistance is typically 40Ω .

Up/Down (U/\bar{D})

The U/\bar{D} input controls the direction of the wiper movement and whether the counter is incremented or decremented.

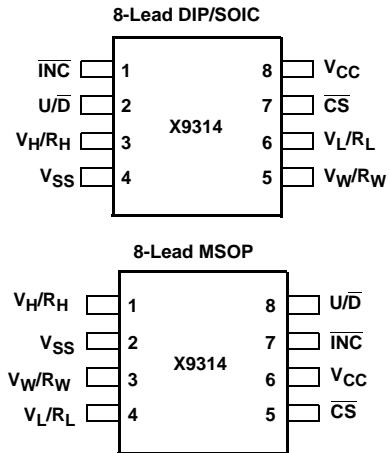
Increment (\bar{INC})

The \bar{INC} input is negative-edge triggered. Toggling \bar{INC} will move the wiper and either increment or decrement the counter in the direction indicated by the logic level on the U/\bar{D} input.

Chip Select (\bar{CS})

The device is selected when the \bar{CS} input is LOW. The current counter value is stored in nonvolatile memory when \bar{CS} is returned HIGH while the \bar{INC} input is also HIGH. After the store operation is complete the X9314 will be placed in the low power standby mode until the device is selected once again.

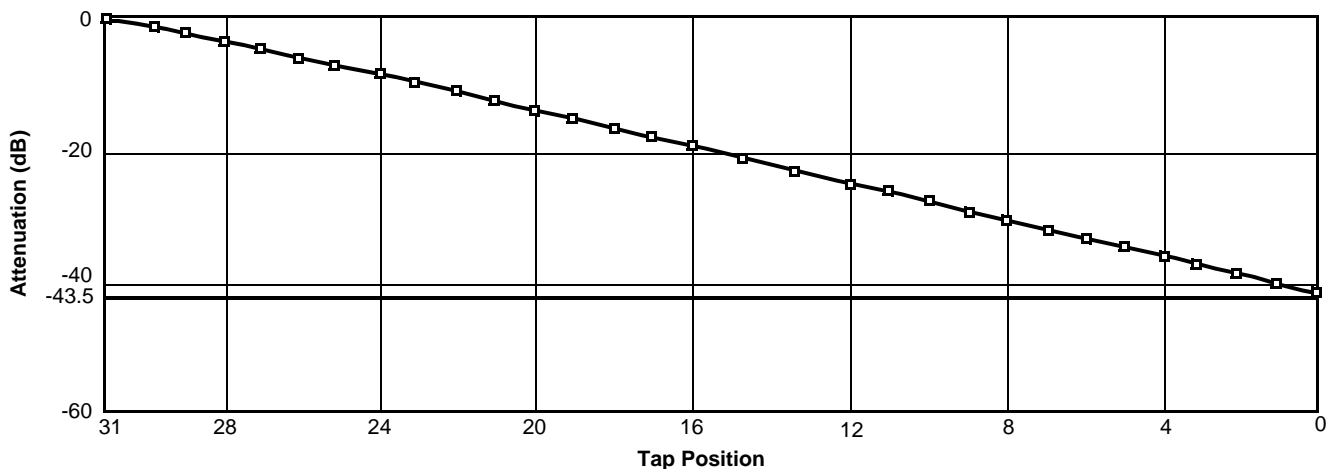
Pin Configuration



Pin Names

SYMBOL	DESCRIPTION
V_H/R_H	High Terminal
V_W/R_W	Wiper Terminal
V_L/R_L	Low Terminal
V_{SS}	Ground
V_{CC}	Supply Voltage
U/\bar{D}	Up/Down Input
INC	Increment Input
CS	Chip Select Input

Typical Attenuation Characteristics (dB)



Principles of Operation

There are three sections of the X9314: the input control, counter and decode section; the nonvolatile memory; and the resistor array. The input control section operates just like an up/down counter. The output of this counter is decoded to turn on a single electronic switch connecting a point on the resistor array to the wiper output. Under the proper conditions the contents of the counter can be stored in nonvolatile memory and retained for future use. The resistor array is comprised of 31 individual resistors connected in series. At either end of the array and between each resistor is an electronic switch that transfers the potential at that point to the wiper.

The \overline{INC} , $\overline{U/D}$ and \overline{CS} inputs control the movement of the wiper along the resistor array. With \overline{CS} set LOW the X9314 is selected and enabled to respond to the

$\overline{U/D}$ and \overline{INC} inputs. HIGH to LOW transitions on \overline{INC} will increment or decrement (depending on the state of the $\overline{U/D}$ input) a five bit counter. The output of this counter is decoded to select one of thirty-two wiper positions along the resistive array.

The wiper, when at either fixed terminal, acts like its mechanical equivalent and does not move beyond the last position. That is, the counter does not wrap around when clocked to either extreme.

The value of the counter is stored in nonvolatile memory whenever \overline{CS} transitions HIGH while the \overline{INC} input is also HIGH.

When the X9314 is powered-down, the last counter position stored will be maintained in the nonvolatile memory. When power is restored, the contents of the memory are recalled and the counter is reset to the value last stored.

Operation Notes

The system may select the X9314, move the wiper and deselect the device without having to store the latest wiper position in nonvolatile memory. The wiper

movement is performed as described above; once the new position is reached, the system would keep the \overline{INC} LOW while taking \overline{CS} HIGH. The new wiper position would be maintained until changed by the system or until a power-up/down cycle recalled the previously stored data.






This would allow the system to always power-up to a preset value stored in nonvolatile memory; then during system operation minor adjustments could be made. The adjustments might be based on user preference, system parameter changes due to temperature drift, etc...

The state of $\overline{U/D}$ may be changed while \overline{CS} remains LOW. This allows the host system to enable the X9314 and then move the wiper up and down until the proper trim is attained.

t_{IW}/R_{TOTAL}

The electronic switches on the X9314 operate in a “make before break” mode when the wiper changes tap positions. If the wiper is moved several positions multiple taps are connected to the wiper for t_{IW} (\overline{INC} to V_{W} change). The R_{TOTAL} value for the device can temporarily be reduced by a significant amount if the wiper is moved several positions.

SYMBOL TABLE

WAVEFORM	INPUTS	OUTPUTS
	Must be steady	Will be steady
	May change from Low to High	Will change from Low to High
	May change from High to Low	Will change from High to Low
	Don't Care: Changes Allowed	Changing: State Not Known
	N/A	Center Line is High Impedance

Absolute Maximum Ratings

Temperature under bias -65°C to +135°C
 Storage temperature -65°C to +150°C
 Voltage on CS, INC, U/D, and
 V_{CC} with respect to V_{SS} -1V to +7V
 Voltage on V_H/R_H and V_L/R_L referenced
 to V_{SS} -8V to +8V
 $\Delta V = |V_H/R_H - V_L/R_L|$ 10V
 Lead temperature (soldering 10 seconds) 300°C
 Wiper current ±1mA
 I_W (10 seconds) ±8.8mA

Recommended Operating Conditions

Temperature (Commercial) 0°C to +70°C
 Temperature (Industrial) -40°C to +85°C
 Supply Voltage (V_{CC}) Limits
 X9314 5V ± 10%
 X9314-2.7 3V to 5.5V

CAUTION: Stresses above those listed under "Absolute Maximum Ratings" may cause permanent damage to the device. This is a stress rating only; the functional operation of the device (at these or any other conditions above those listed in the operational sections of this specification) is not implied. Exposure to absolute maximum rating conditions for extended periods may affect device reliability.

Potentiometer Characteristics (Over recommended operating conditions unless otherwise stated.)

SYMBOL	PARAMETER	TEST CONDITIONS/NOTES	LIMITS			
			MIN	TYP	MAX	UNITS
R _{TOTAL}	End to End Resistance Tolerance				±20	%
	V _H /R _H Terminal Voltage		-5		+5	V
	V _L /R _L Terminal Voltage		-5		+5	V
	Power Rating	at 25°C			10	mW
R _W	Wiper Resistance	I _W = ±1mA, V _{CC} = 5V		40	100	Ω
I _W	Wiper Current				±4.4	mA
	Noise	Ref: 1kHz		-120		dBV
	Relative variation. Error in step size between taps.	log (R _{W(n)}) - log R _{W(n - 1)})	0.07-0.003		0.07 + 0.003	
	R _{TOTAL} Temperature Coefficient	for -40°C to +85°C		±600		ppm/°C
	Ratiometric Temperature Coefficient				±20	ppm/°C
C _H /C _L /C _W	Potentiometer Capacitance	See Circuit #3		10/10/25	pF	

NOTE:

1. This parameter is periodically sampled and not 100% tested.

Power-up and Down Requirement

The are no restrictions on the sequencing of V_{CC} and the voltages applied to the potentiometer pins during power-up or power-down conditions. During power-up, the data sheet parameters for the DCP do not fully apply until 1 millisecond after V_{CC} reaches its final value. The V_{CC} ramp rate spec is always in effect.

DC Electrical Specifications (Over recommended operating conditions unless otherwise specified.)

SYMBOL	PARAMETER	TEST CONDITIONS	LIMITS			UNITS
			MIN	TYP ⁽²⁾	MAX	
I _{CC}	V _{CC} Active Current	$\overline{CS} = V_{IL}, U/\overline{D} = V_{IL}$ or V_{IH} and $\overline{INC} = 0.4V/2.4V$ @ max. t _{CYC}		1	3	mA
I _{SB}	Standby Supply Current	$\overline{CS} = V_{CC} - 0.3V, U/\overline{D}$ and $\overline{INC} = V_{SS}$ or $V_{CC} - 0.3V$			500	μA
I _{LI}	$\overline{CS}, \overline{INC}, U/\overline{D}$ Input Leakage Current	V _{IN} = V _{SS} to V _{CC}			±10	μA
V _{IH}	$\overline{CS}, \overline{INC}, U/\overline{D}$ Input HIGH Voltage		2		V _{CC} + 1	V
V _{IL}	$\overline{CS}, \overline{INC}, U/\overline{D}$ Input LOW Voltage		-1		0.8	V
C _{IN} ⁽³⁾	$\overline{CS}, \overline{INC}, U/\overline{D}$ Input Capacitance	V _{CC} = 5V, V _{IN} = V _{SS} , T _A = 25°C, f = 1MHz			10	pF

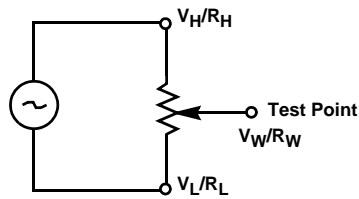
Standard Parts

PART NUMBER	MAXIMUM RESISTANCE	WIPER INCREMENTS	MINIMUM RESISTANCE
X9314W	10kΩ	Log Taper	40Ω

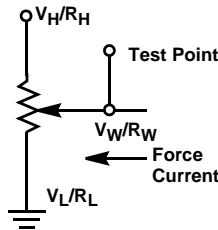
NOTES:

- Typical values are for T_A = 25°C and nominal supply voltage.
- This parameter is periodically sampled and not 100% tested.

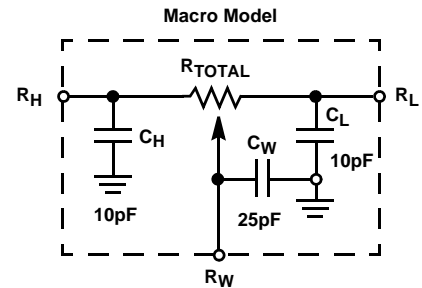
Test Circuit #1



Test Circuit #2



Circuit #3 SPICE Macromodel



A.C. Conditions of Test

INPUT PULSE LEVELS	0V to 3V
Input rise and fall times	10ns
Input reference levels	1.5V

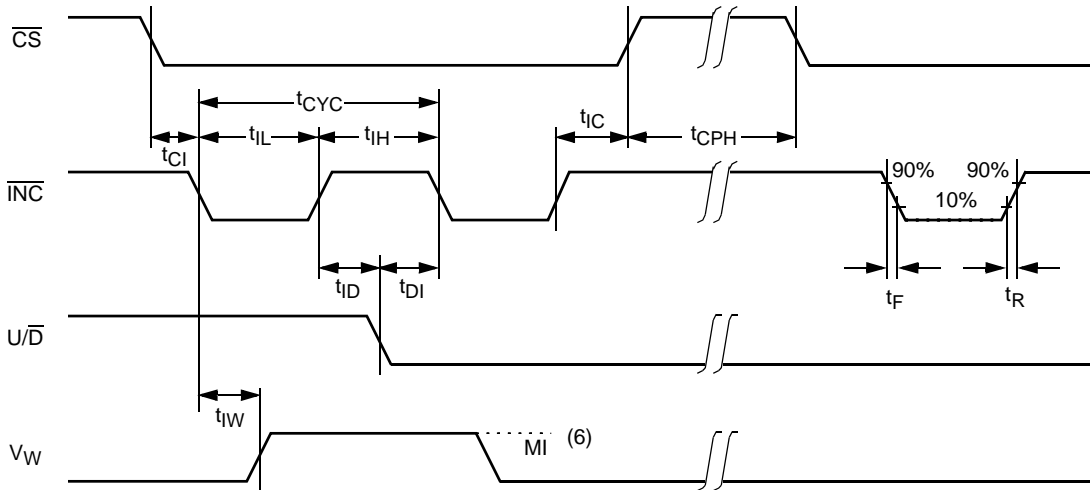
Mode Selection

\overline{CS}	\overline{INC}	U/ \overline{D}	MODE
L		H	Wiper up
L		L	Wiper down
	H	X	Store wiper position
H	X	X	Standby
	L	X	No store, return to standby

AC Electrical Specifications (Over recommended operating conditions unless otherwise specified)

SYMBOL	PARAMETER	LIMITS			UNITS
		MIN	TYP ⁽⁴⁾	MAX	
t_{Cl}	\overline{CS} to \overline{INC} Setup	100			ns
t_{lD}	\overline{INC} HIGH to U/\overline{D} Change	100			ns
t_{Dl}	U/\overline{D} to \overline{INC} Setup	2.9			μ s
t_{lL}	\overline{INC} LOW Period	1			μ s
t_{lH}	\overline{INC} HIGH Period	1			μ s
t_{lC}	\overline{INC} Inactive to \overline{CS} Inactive	1			μ s
t_{CPH}	\overline{CS} Deselect Time	20			ms
t_{lW}	\overline{INC} to V_W Change		100	500	μ s
t_{CYC}	\overline{INC} Cycle Time	4			μ s
$t_R, t_F^{(5)}$	\overline{INC} Input Rise and Fall Time			500	μ s
$t_{PU}^{(5)}$	Power-up to Wiper Stable			500	μ s
$t_R V_{CC}$	V_{CC} Power-up Rate	0.2		50	mV/ μ s

A.C. Timing

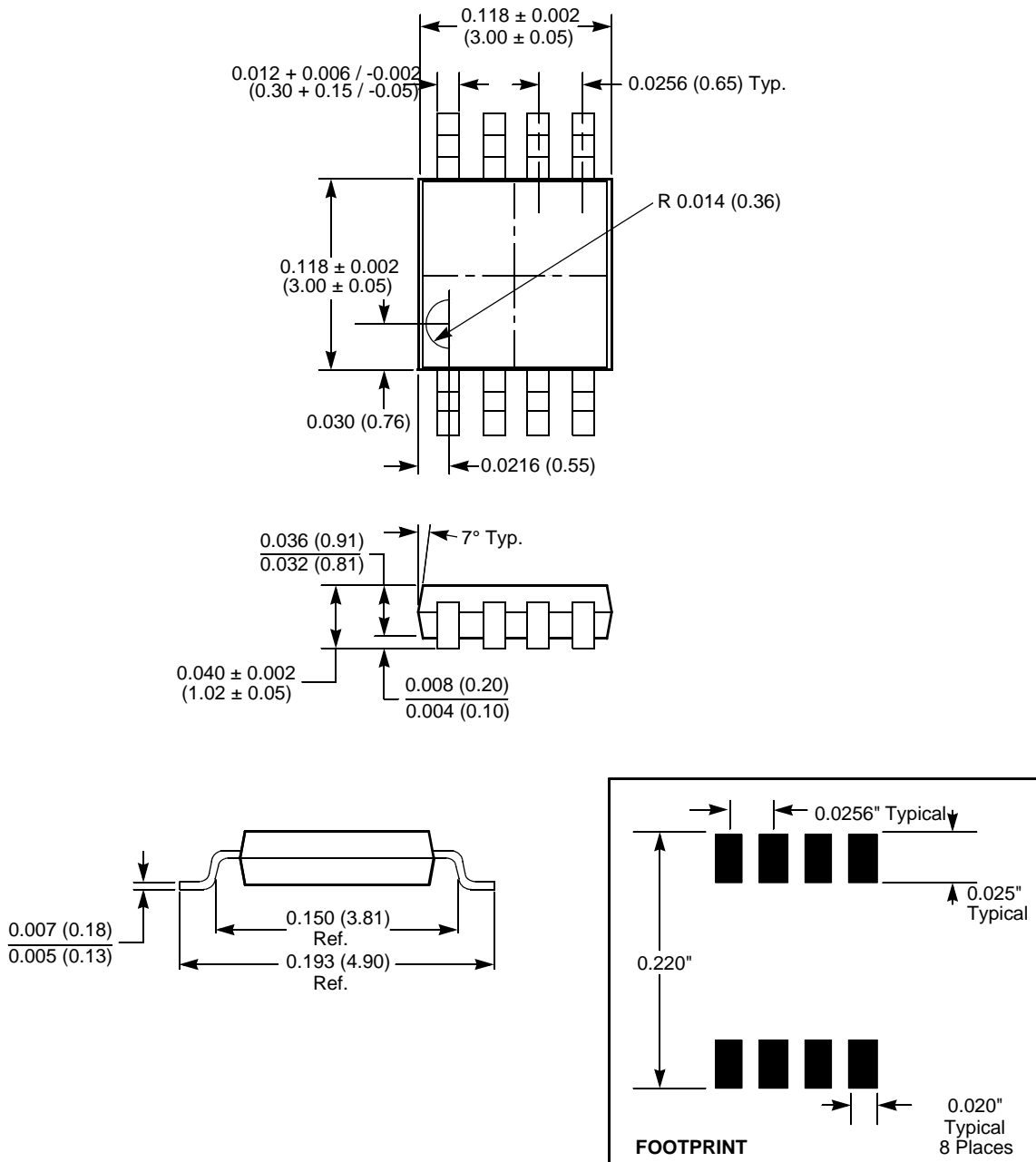


NOTES:

- Typical values are for $T_A = 25^\circ\text{C}$ and nominal supply voltage.
- This parameter is periodically sampled and not 100% tested.
- MI in the A.C. timing diagram refers to the minimum incremental change in the V_W output due to a change in the wiper position.

Packaging Information

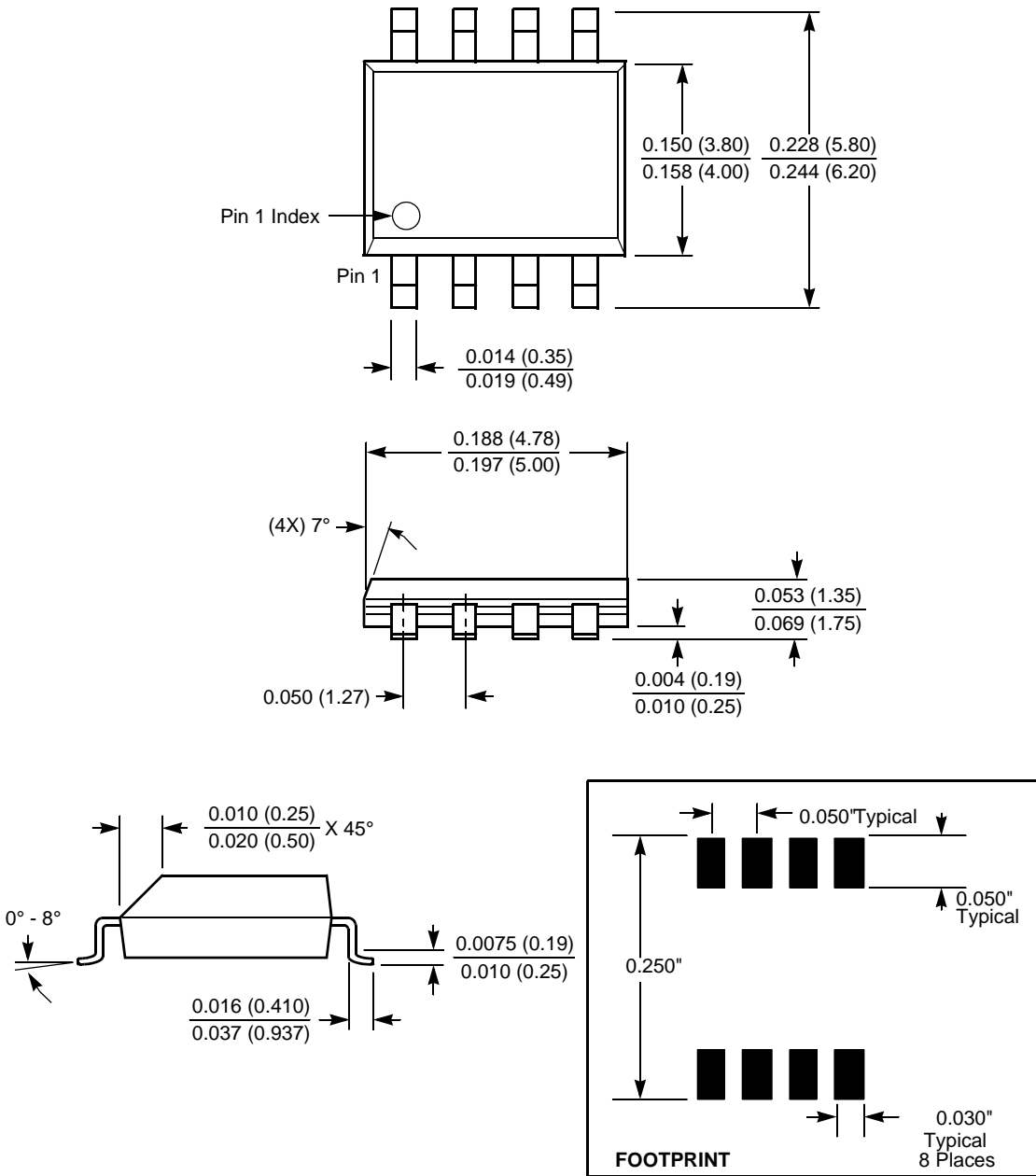
8-Lead Miniature Small Outline Gull Wing Package Type M



NOTE:
 1. ALL DIMENSIONS IN INCHES AND (MILLIMETERS)

Packaging Information

8-Lead Plastic Small Outline Gull Wing Package Type S



NOTE: ALL DIMENSIONS IN INCHES (IN PARENTHESES IN MILLIMETERS)

All Intersil U.S. products are manufactured, assembled and tested utilizing ISO9000 quality systems. Intersil Corporation's quality certifications can be viewed at www.intersil.com/design/quality

Intersil products are sold by description only. Intersil Corporation reserves the right to make changes in circuit design, software and/or specifications at any time without notice. Accordingly, the reader is cautioned to verify that data sheets are current before placing orders. Information furnished by Intersil is believed to be accurate and reliable. However, no responsibility is assumed by Intersil or its subsidiaries for its use; nor for any infringements of patents or other rights of third parties which may result from its use. No license is granted by implication or otherwise under any patent or patent rights of Intersil or its subsidiaries.

For information regarding Intersil Corporation and its products, see www.intersil.com

X9314

[Printer Friendly Version](#)



Single Digitally Controlled Potentiometer (XDCP™)

 Datasheets, Description, Key Features, Related Docs & Simulations	 Parametric Data	 Application Diagrams	 Related Devices
---	---	--	---

Ordering Information

 **RoHS/Pb-Free/Green Device**

Part No.	Design-In Status	Temp.	Package	Price		
				MSL	US \$	
X9314WM	Active	Comm	8 Ld MSOP	1	1.54	Buy
X9314WM-3	Active	Comm	8 Ld MSOP	1	1.68	Buy
X9314WM-3T1	Active	Comm	8 Ld MSOP T+R	1	1.68	Buy
X9314WMI	Active	Ind	8 Ld MSOP	1	1.92	Buy
X9314WMI-3	Active	Ind	8 Ld MSOP	1	2.43	Buy
X9314WMI-3C7886	Active	Ind	8 Ld MSOP	1		Buy
X9314WMI-3T1	Active	Ind	8 Ld MSOP T+R	1	2.43	Buy
X9314WMI-3T1C7886	Active	Ind	8 Ld MSOP	1		Buy
X9314WMIT1	Active	Ind	8 Ld MSOP T+R	1	1.92	Buy
X9314WMIT2	Active	Ind	8 Ld MSOP T+R	3	1.92	Buy
X9314WMIZ-3 	Active	Ind	8 Ld MSOP	2	2.43	Buy Sample
X9314WMIZ-3C7886 	Active	Ind	8 Ld MSOP	2		Buy
X9314WMIZ-3T1 	Active	Ind	8 Ld MSOP T+R	2	2.43	Buy
X9314WMIZ-3T1C7886 	Active	Ind	8 Ld MSOP T+R	2		Buy
X9314WMT1	Active	Comm	8 Ld MSOP T+R	1	1.54	Buy
X9314WMT2	Active	Comm	8 Ld MSOP T+R	3	1.53	Buy
X9314WP	Active	Comm	8 Ld PDIP	N/A	1.33	Buy
X9314WP-3	Active	Comm	8 Ld PDIP	N/A	1.47	Buy
X9314WPI	Active	Ind	8 Ld PDIP	N/A	1.47	Buy
X9314WS	Active	Comm	8 Ld SOIC	1	1.30	Buy Sample
X9314WS-3	Active	Comm	8 Ld SOIC	1	1.44	Buy
X9314WS-3C7975	Active	Comm	8 Ld SOIC	1		Buy
X9314WS-3T1	Active	Comm	8 Ld SOIC T+R	1	1.44	Buy
X9314WS-3T2	Active	Comm	8 Ld SOIC T+R	3	1.44	Buy
X9314WSI	Active	Ind	8 Ld SOIC	1	1.62	Buy
X9314WSI-3C7711	Active	Ind	8 Ld SOIC	1		Buy
X9314WSI-3T1C7711	Active	Ind	8 Ld SOIC	3		Buy
X9314WSI-3T3C7711	Active	Ind	8 Ld SOIC	3		Buy
X9314WSI-3T4C7711	Active	Ind	8 Ld SOIC	3		Buy
X9314WSIT1	Active	Ind	8 Ld SOIC T+R	1	1.62	Buy
X9314WSIT2	Active	Ind	8 Ld SOIC T+R	3	1.62	Buy
X9314WSIZ 	Active	Ind	8 Ld SOIC	1	1.62	Buy
X9314WST1	Active	Comm	8 Ld SOIC T+R	1	1.30	Buy
X9314WST2	Active	Comm	8 Ld SOIC T+R	3	1.30	Buy

X9314WSZ 	Active	Comm	8 Ld SOIC	1	1.30	Buy	Sample
X9314WSZ-3 	Active	Comm	8 Ld SOIC	1	1.44	Buy	
X9314WSZT1 	Active	Comm	8 Ld SOIC T+R	1	1.30	Buy	
X9314WM-3T5C6985	InActive	Comm	8 Ld MSOP	1			
X9314WMI-3T5C7886	InActive	Ind	8 Ld MSOP	1			

The price listed is the manufacturer's suggested retail price for quantities between 100 and 999 units. However, prices in today's market are fluid and may change without notice.

MSL = Moisture Sensitivity Level - per IPC/JEDEC J-STD-020

SMD = Standard Microcircuit Drawing

Description

The Intersil X9314 is a solid state nonvolatile potentiometer and is ideal for digitally controlled resistance trimming.

The X9314 is a resistor array composed of 31 resistive elements. Between each element and at either end are tap points accessible to the wiper element. The position of the wiper element is controlled by the CS, U/D, and INC inputs. The position of the wiper can be stored in nonvolatile memory and then be recalled upon a subsequent power-up operation.

The XDCP can be used as a three-terminal potentiometer or as a two-terminal variable resistor in a wide variety of applications including control, parameter adjustments, and signal processing.

Key Features

- Solid State Potentiometer
- 32 Taps
- 10kΩ End to End Resistance
- Three-Wire Up/Down Serial Interface
- Wiper Resistance, 40Ω Typical
- Nonvolatile Storage and Recall on Power-up of Wiper Position Standby Current < 500iA Max (Total Package)
- V_{CC} = 3V to 5.5V Operation
- 100 Year Data Retention
- Offered in MSOP, SOIC Packages
- Pb-Free Plus Anneal Available (RoHS Compliant)

Related Documentation

Application Note(s):

- [DC/DC Module Trim with Digital Potentiometers](#)
- [Digital Audio Amplifier Gain Control using Logarithmic Intersil Digitally Controlled Potentiometers \(XDCPs\)](#)
- [Power Supply and DC to DC Converter Control using Intersil Digitally Controlled Potentiometers \(XDCPs\)](#)

Datasheet(s):

- [Single Digitally Controlled Potentiometer \(XDCP™\)](#)

Technical Brief(s):

- [Converting a Fixed PWM to an Adjustable PWM](#)

Evaluation Board(s):

- [Evaluation Circuits for XDCP™](#)
- [Intersil_XDCP_Test_Utility_Manual_rev_3.2.3.pdf](#)
- [LabView_XDCP_Software.zip](#)
- [LabView_XDCP_Upgrade_3.2.3.zip](#)
- [Readme_XicorLabVIEW_V3.2.3.txt](#)
- [accessHW.zip](#)

Technical Homepage:

- [Digitally Controlled Potentiometers \(DCPs\) and Capacitors \(DCCs\)](#)
- [Precision Analog Homepage](#)

Parametric Data

Number of DCPs	Single
Number of Taps	32
Memory Type	Non-Volatile
Bus Interface Type	3-Wire (Up/Down)
Resistance Options (k Ω)	10
V _{CC} Range (V)	3.0 to 5.5
DCP Bias Range (V)	-5.5, +5.5
DCP Differential Terminal Voltage (V)	10
Terminal Voltage Range V _L to V _H (V)	-V _{CC} to +V _{CC}
Resistance Taper	Logarithmic
Wiper Current (mA)	± 1
Wiper Resistance (Ω)	40
Standby Current I _{SB} (μ A)	500

Application Block Diagrams

- [Digital Projector](#)

Related Devices

 [Parametric Table](#)

- [X9313](#) Digitally Controlled Potentiometer (XD_{DCP}TM), Linear, 32 Taps, 3 Wire Interface, Terminal Voltages $\pm V_{CC}$
- [X9315](#) Digitally Controlled Potentiometer (XD_{DCP}TM)
- [X93154](#) Digitally Controlled Potentiometer (XD_{DCP}TM)
- [X93155](#) Digitally Controlled Potentiometer (XD_{DCP}TM)
- [X93156](#) Single Digitally Controlled Potentiometer (XD_{DCP}TM), Low Noise, Low Power, 3 wire Up/Down, 32 Taps
- [X9511](#) Single Digitally-Controlled (XD_{DCP}TM) Potentiometer (Push Button Controlled)