

Dual-Channel Power Distribution Switches

Features

- 100 mΩ Typical $R_{DS(ON)}$ at 5.0V
- 140 mΩ Maximum $R_{DS(ON)}$ at 5.0V
- 2.7V to 5.5V Operating Range
- 500 mA Minimum Continuous Current per Channel
- Short-Circuit Protection with Thermal Shutdown
- Thermally Isolated Channels
- Soft-Start Circuit
- Fault Status Flag with 3 ms Filter Eliminates False Assertions
- Undervoltage Lockout (UVLO)
- Reverse Current Flow Blocking (No “Body Diode”)
- Circuit Breaker Mode (MIC2076A)
- Pin Compatible with MIC2026 and MIC2076
- Logic-Compatible Inputs
- Low Quiescent Current

Applications

- USB Peripherals
- General Purpose Power Switching
- ACPI Power Distribution
- Notebook PCs
- PDAs
- PC Card Hot Swap

General Description

The MIC2026A and MIC2076A are high-side MOSFET switches optimized for general-purpose power distribution that require circuit protection. The MIC2026A is particularly well suited for USB applications.

The MIC2026A/76A are internally current limited and have thermal shutdown that protects the device and load.

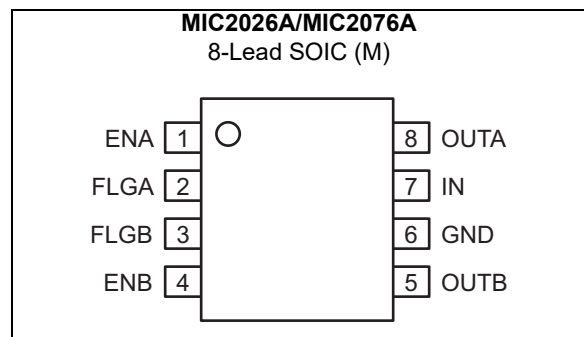
The MIC2076A offers smart shutdown that reduces current consumption in fault modes. When the MIC2076A goes into thermal shutdown due to current limiting, the output is latched off until the switch is reset. The MIC2076A can be reset by removing the load, toggling the enable input or cycling V_{IN} .

Both devices employ soft-start circuitry that minimizes inrush current in applications where highly capacitive loads are employed.

A fault status output flag is asserted during overcurrent or thermal shutdown conditions. Transient faults are internally filtered.

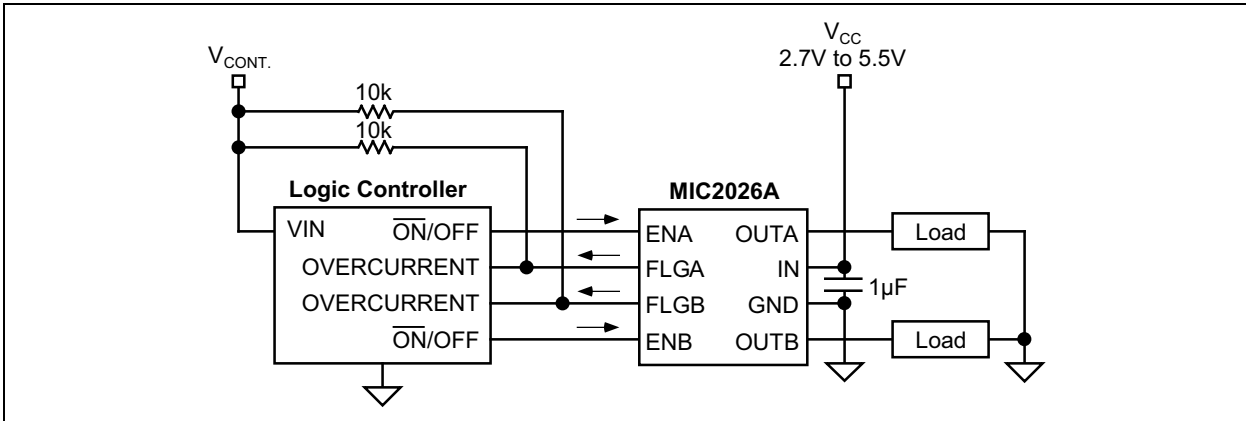
The MIC2026A and MIC2076A are available in an 8-pin SOIC package.

Package Type

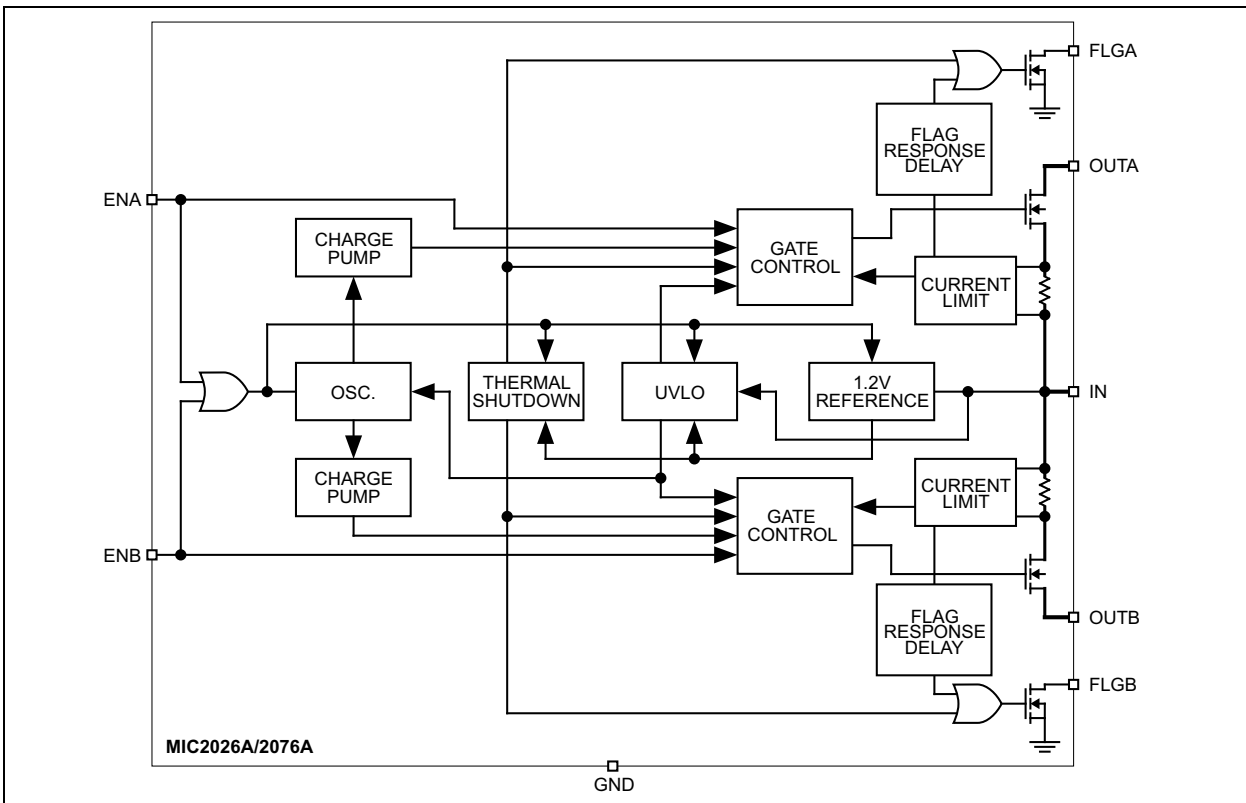


MIC2026A/76A

Typical Application Circuit



Functional Block Diagram



1.0 ELECTRICAL CHARACTERISTICS

Absolute Maximum Ratings †

Supply Voltage (V_{IN})	-0.3V to +6V
Output Voltage (OUTA and OUTB)	-0.3V to +6V
Voltage on All Other Pins	-0.3V to +6V
Fault Flag Current (I_{FLG})	25 mA
Output Current	Internally Limited
ESD Rating (Note 1, HBM)	3 kV
ESD Rating (Note 1, MM)	200V

Operating Ratings ‡

Supply Voltage (V_{IN})	+2.7V to +5.5V
-----------------------------	----------------

† **Notice:** Stresses above those listed under “Absolute Maximum Ratings” may cause permanent damage to the device. This is a stress rating only and functional operation of the device at those or any other conditions above those indicated in the operational sections of this specification is not intended. Exposure to maximum rating conditions for extended periods may affect device reliability.

‡ **Notice:** The device is not guaranteed to function outside its operating ratings.

Note 1: Devices are ESD sensitive. Handling precautions recommended.

ELECTRICAL CHARACTERISTICS

Electrical Characteristics: $V_{IN} = 5V$; $T_J = +25^\circ C$, unless noted, **bold** values valid for $-40^\circ C \leq T_J \leq +125^\circ C$. (Note 1)

Parameter	Symbol	Min.	Typ.	Max.	Units	Conditions
Supply Current	I_{DD}	—	0.75	5	μA	MIC20x6A-1, $V_{ENA} = V_{ENB} = 0V$, (switch off), OUT = open
		—	0.75	20		MIC20x6A-2, $V_{ENA} = V_{ENB} = 5V$, (switch off), OUT = open
		—	100	160		MIC20x6A-1, $V_{ENA} = V_{ENB} = 5V$, (switch on), OUT = open
		—	100	160		MIC20x6A-2, $V_{ENA} = V_{ENB} = 0V$, (switch on), OUT = open
Enable Input Threshold	V_{EN}	—	1.6	2.4	V	Low-to-high transition
		0.8	1.45	—		High-to-low transition
Enable Input Hysteresis	V_{EN_HYST}	—	150	—	mV	—
Enable Input Current	I_{EN}	-1	0.01	1	μA	$V_{EN} = 0V$ to 5V
Enable Input Capacitance	C_{EN}	—	1	—	pF	—
Switch On Resistance	$R_{DS(ON)}$	—	100	140	m Ω	$V_{IN} = 5.0V$, $I_{OUT} = 500$ mA
		—	90	170		$V_{IN} = 3.3V$, $I_{OUT} = 500$ mA
Output Leakage Current	I_{LEAK}	—	0.01	10	μA	MIC20x6A-1, $V_{ENX} = 0V$; MIC20x6A-2, $V_{ENX} = V_{IN}$, (output off)
		—	50	—		MIC2076A, Thermal shutdown state
Short-Circuit Output Current	I_{LIM}	0.5	0.7	1.25	A	$V_{OUT} = 0V$, enabled into short-circuit
Current-Limit Threshold	I_{LIM_TRSH}	—	1.0	1.25	A	Ramped load applied to output
Undervoltage Lockout Threshold	V_{UVLO}	2.2	2.45	2.7	V	V_{IN} rising
		2.0	2.25	2.5		V_{IN} falling
UVLO Hysteresis	V_{UVHYST}	—	200	—	mV	V_{IN} rising or V_{IN} falling
Error Flag Output Resistance	R_{FLG}	—	10	25	Ω	$I_L = 10$ mA

MIC2026A/76A

ELECTRICAL CHARACTERISTICS (CONTINUED)

Electrical Characteristics: $V_{IN} = 5V$; $T_J = +25^\circ C$, unless noted, **bold** values valid for $-40^\circ C \leq T_J \leq +125^\circ C$. (Note 1)

Parameter	Symbol	Min.	Typ.	Max.	Units	Conditions
Error Flag Off Current	$I_{FLG\ OFF}$	—	—	10	μA	$V_{FLG} = V_{IN}$
Short-Circuit Response Time	t_{SC_RESP}	—	20	—	μs	$V_{OUT} = 0V$, short-circuit applied to enabled switch
Output Turn-On Delay	t_{ON}	—	1.3	5	ms	See Timing Diagrams, $R_L = 10\Omega$, $C_L = 1\ \mu F$
Output Turn-On Rise Time	t_R	0.5	1.5	4.9	ms	See Timing Diagrams, $R_L = 10\Omega$, $C_L = 1\ \mu F$
Output Turn-Off Delay	t_{OFF}	—	32	100	μs	See Timing Diagrams, $R_L = 10\Omega$, $C_L = 1\ \mu F$
Output Turn-Off Fall Time	t_F	—	32	100	μs	See Timing Diagrams, $R_L = 10\Omega$, $C_L = 1\ \mu F$
Overcurrent Flag Response Delay	t_D	1.5	3.5	7	ms	From short-circuit to FLG pin assertion
Overtemperature Threshold (Note 2)	$T_{OVERTEMP}$	—	140	—	$^\circ C$	T_J increasing, each switch
		—	120	—		T_J decreasing, each switch
		—	160	—		T_J increasing, both switches
		—	150	—		T_J decreasing, both switches

Note 1: Specification for packaged product only.

- 2:** If there is a fault on one channel, that channel will shut down when the die reaches approximately $140^\circ C$. If the die reaches approximately $160^\circ C$, both channels will shut down even if neither channel is in current limit.

TEMPERATURE SPECIFICATIONS (Note 1)

Parameters	Sym.	Min.	Typ.	Max.	Units	Conditions
Temperature Ranges						
Junction Temperature Range	T_J	Internally Limited			$^\circ C$	—
Ambient Temperature	T_A	-40	—	+85	$^\circ C$	—
Lead Temperature	—	—	—	+260	$^\circ C$	Soldering, 10 sec.
Storage Temperature	T_S	-65	—	+150	$^\circ C$	—
Package Thermal Resistance						
Thermal Resistance, SOIC 8-Ld	θ_{JA}	—	160	—	$^\circ C/W$	—

Note 1: The maximum allowable power dissipation is a function of ambient temperature, the maximum allowable junction temperature and the thermal resistance from junction to air (i.e., T_A , T_J , θ_{JA}). Exceeding the maximum allowable power dissipation will cause the device operating junction temperature to exceed the maximum $+85^\circ C$ rating. Sustained junction temperatures above $+85^\circ C$ can impact the device reliability.

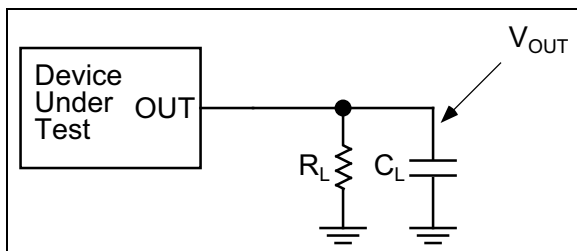


FIGURE 1-1: Test Circuit.

Timing Diagrams

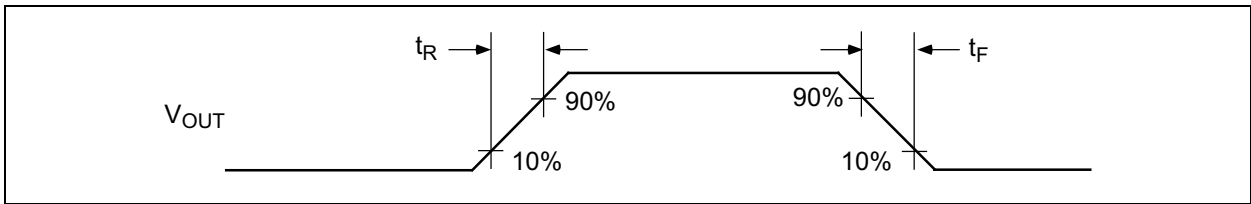


FIGURE 1-2: Output Rise and Fall Times.

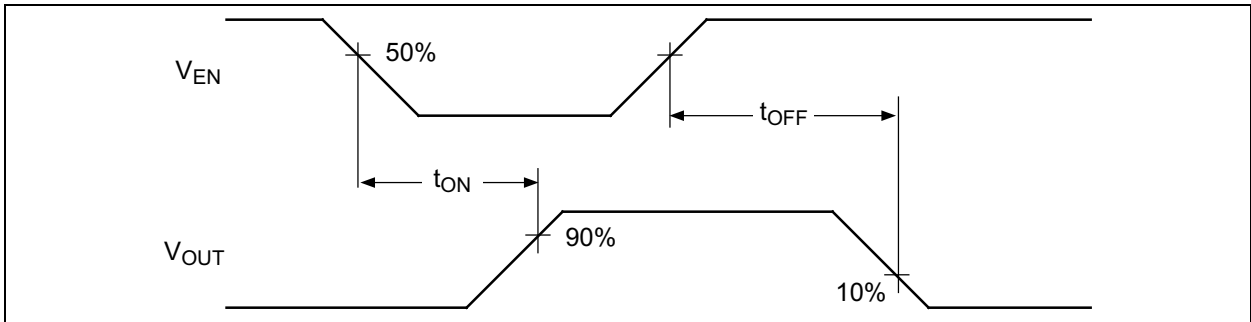


FIGURE 1-3: Active-Low Switch Delay Times (MIC20x6A-2).

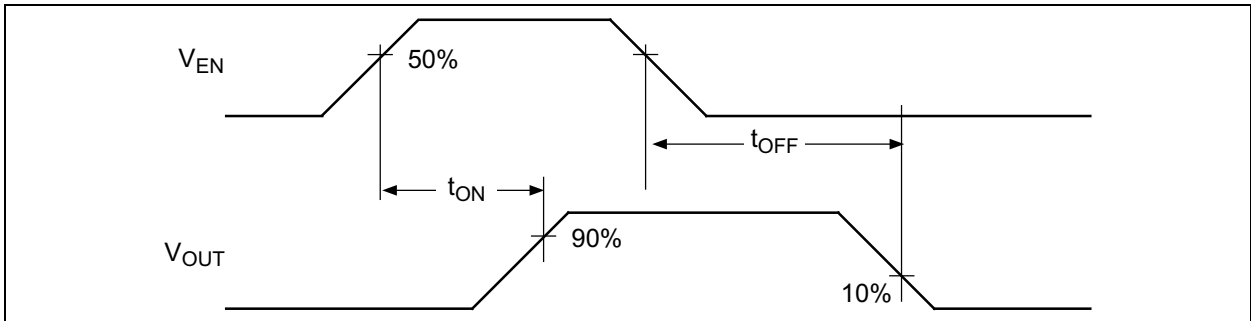


FIGURE 1-4: Active-High Switch Delay Time (MIC20x6A-1).

MIC2026A/76A

2.0 TYPICAL PERFORMANCE CURVES

Note: The graphs and tables provided following this note are a statistical summary based on a limited number of samples and are provided for informational purposes only. The performance characteristics listed herein are not tested or guaranteed. In some graphs or tables, the data presented may be outside the specified operating range (e.g., outside specified power supply range) and therefore outside the warranted range.

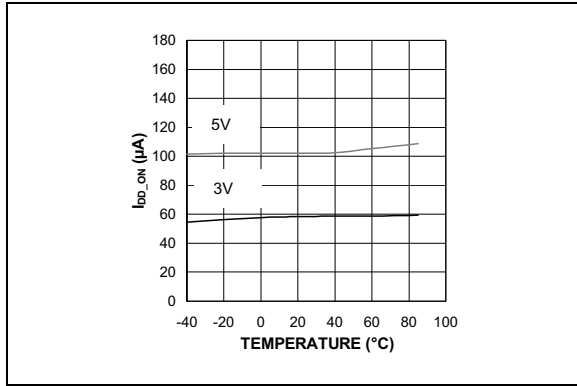


FIGURE 2-1: I_{DD_ON} vs. Temperature.

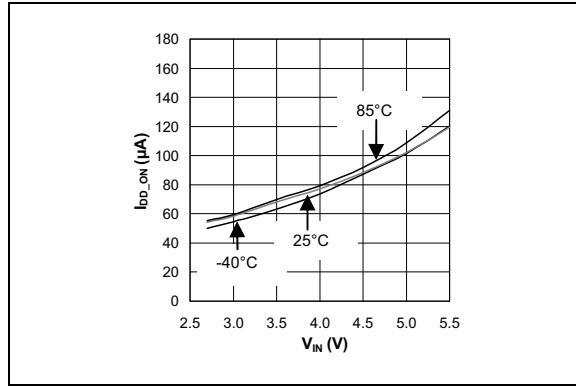


FIGURE 2-4: I_{DD_ON} vs. V_{IN} .

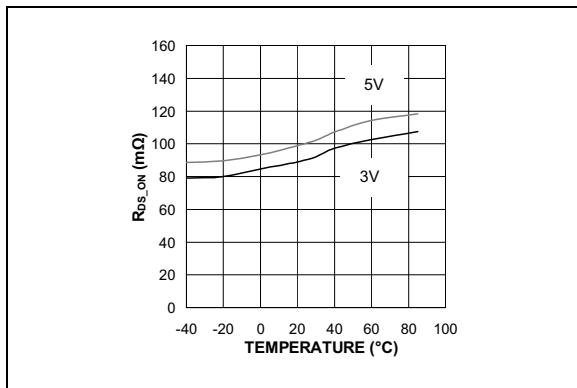


FIGURE 2-2: R_{DS_ON} vs. Temperature.

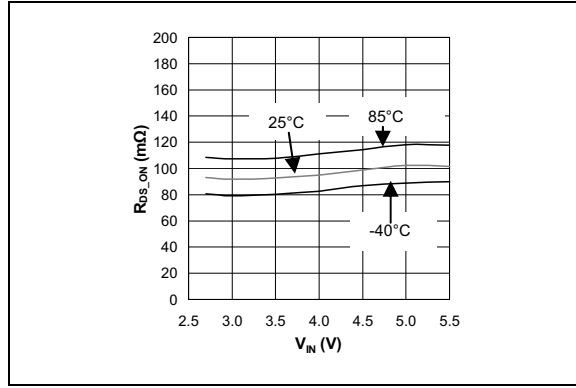


FIGURE 2-5: R_{DS_ON} vs. V_{IN} .

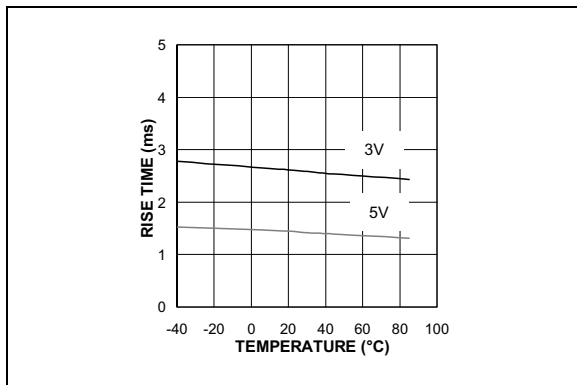


FIGURE 2-3: Output Rise Time vs. Temperature.

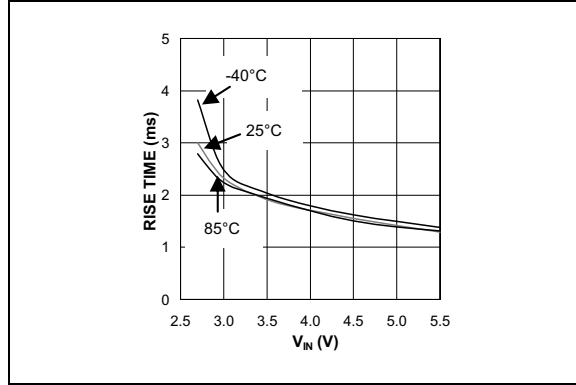


FIGURE 2-6: Output Rise Time vs. V_{IN} .

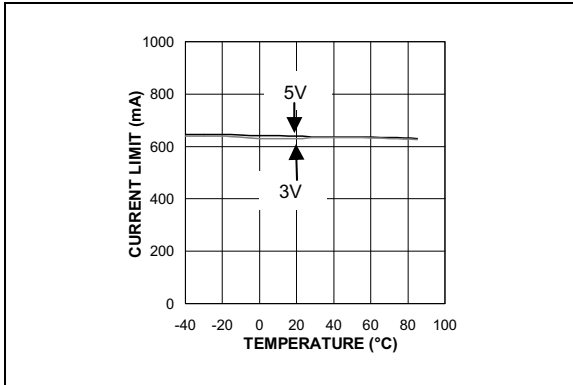


FIGURE 2-7: Short-Circuit Current Limit vs. Temperature.

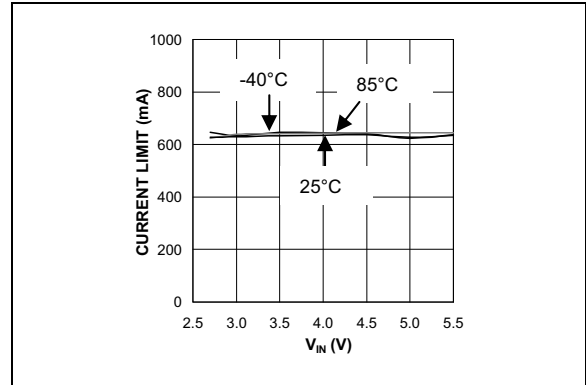


FIGURE 2-10: Short-Circuit Current Limit vs. V_{IN} .

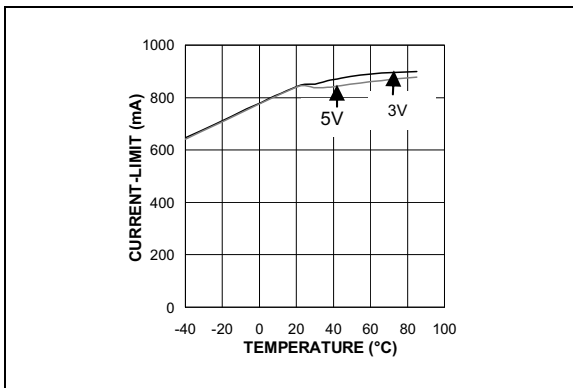


FIGURE 2-8: Current Limit Threshold vs. Temperature.

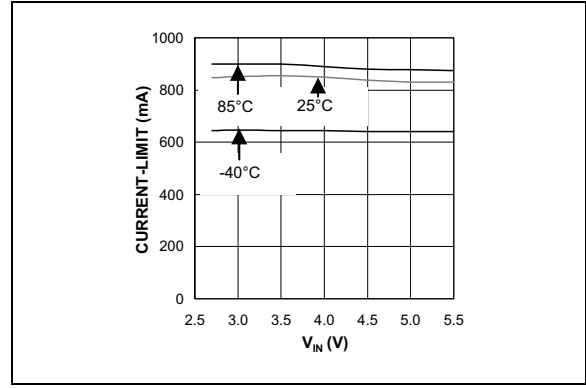


FIGURE 2-11: Current Limit Threshold vs. V_{IN} .

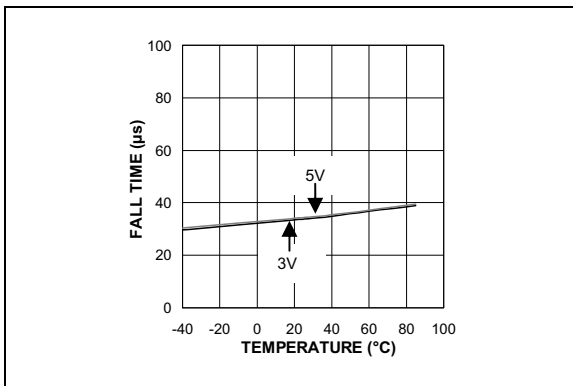


FIGURE 2-9: Output Fall Time vs. Temperature.

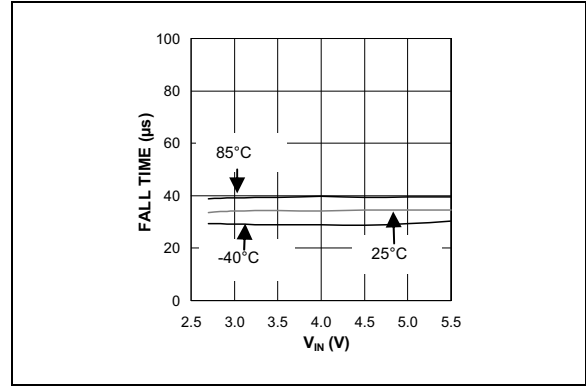


FIGURE 2-12: Output Fall Time vs. V_{IN} .

MIC2026A/76A

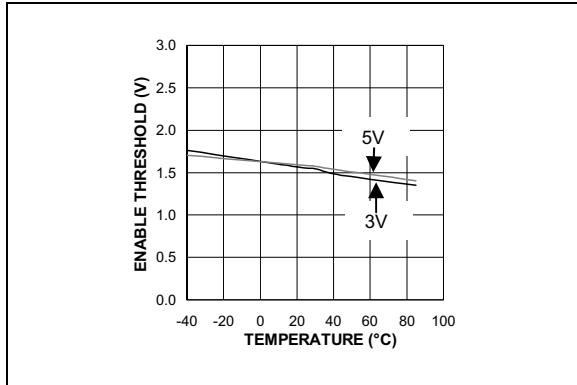


FIGURE 2-13: Enable Threshold vs. Temperature.

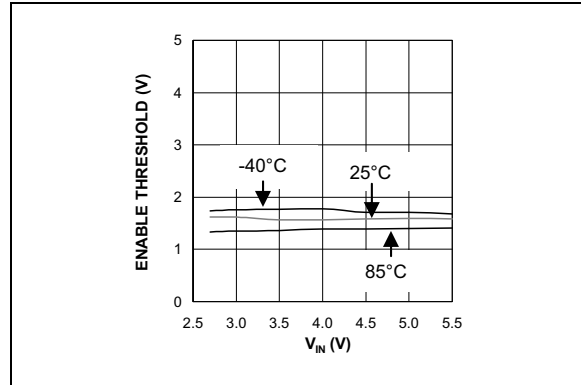


FIGURE 2-16: Enable Threshold vs. V_{IN} .

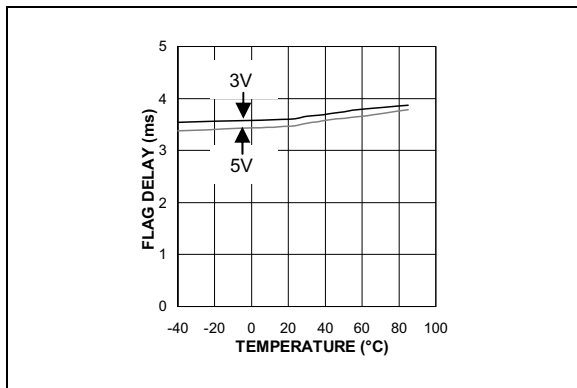


FIGURE 2-14: Overcurrent Flag Delay vs. Temperature.

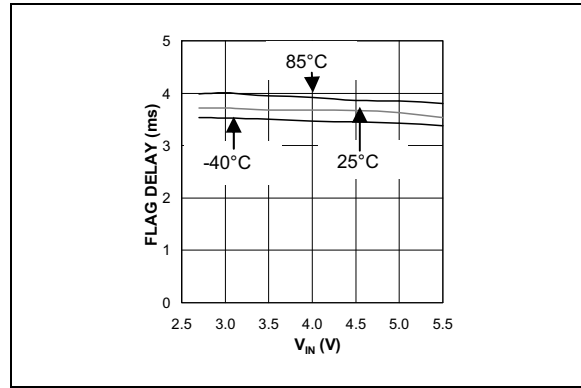


FIGURE 2-17: Overcurrent Flag Delay vs. V_{IN} .

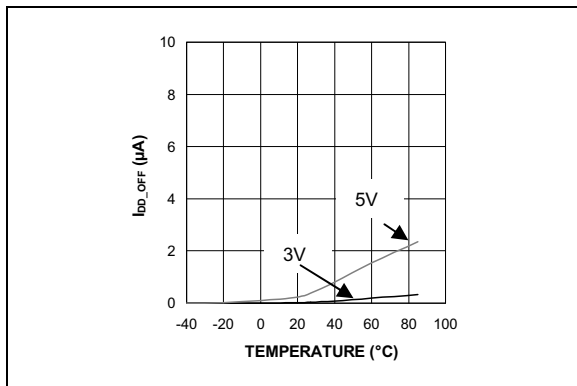


FIGURE 2-15: I_{DD_OFF} vs. Temperature.

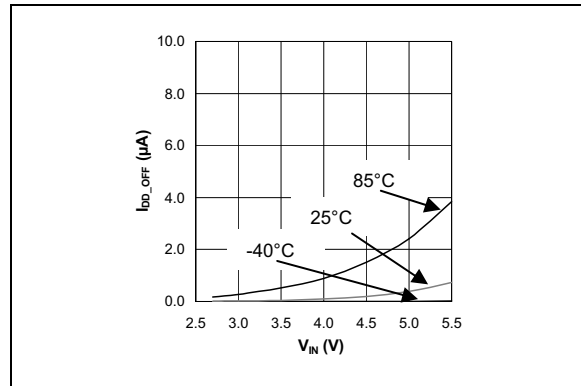


FIGURE 2-18: I_{DD_OFF} vs. V_{IN} .

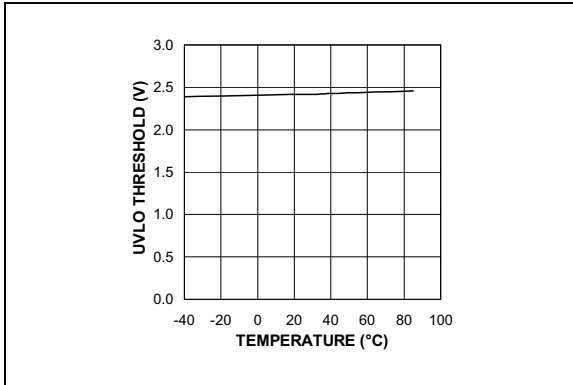


FIGURE 2-19: UVLO Threshold vs. Temperature.

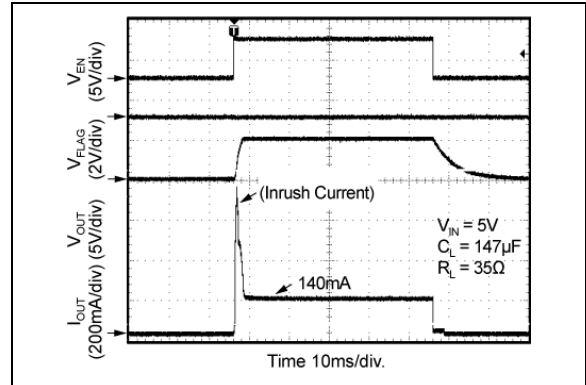


FIGURE 2-22: Turn-On/Turn-Off (MIC2026A-1).

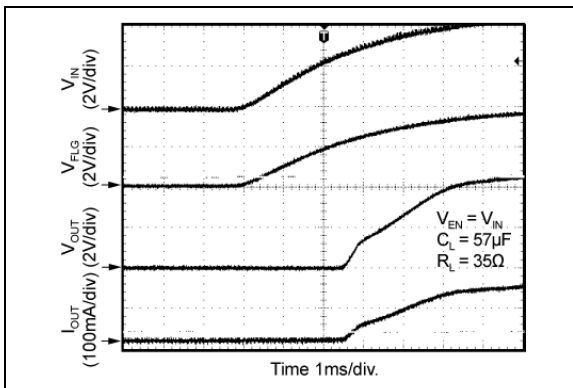


FIGURE 2-20: Soft-Start V_{IN} Turn-On.

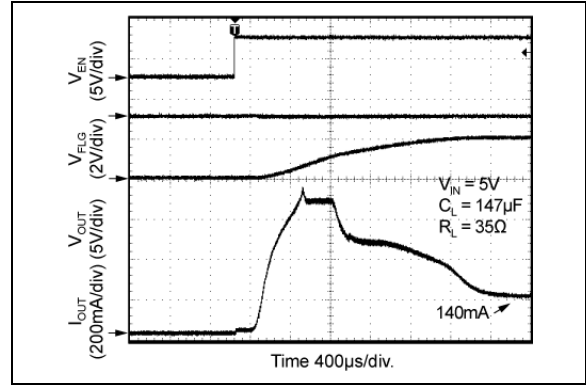


FIGURE 2-23: Turn-On Zoom (MIC2026A-1).

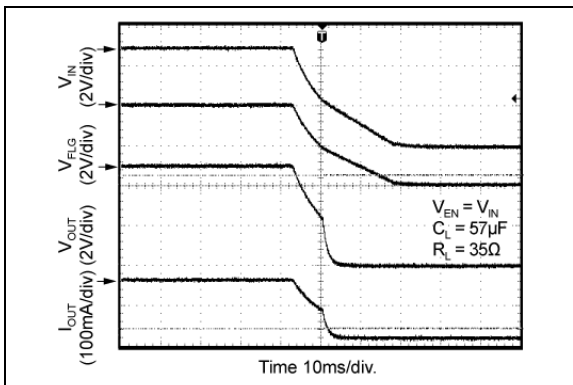


FIGURE 2-21: V_{IN} Turn-Off.

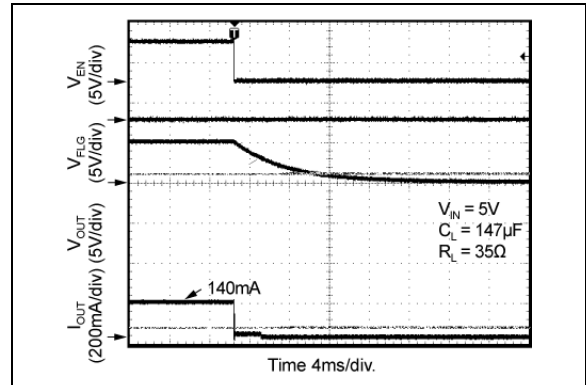


FIGURE 2-24: Turn-Off Zoom (MIC2026A-1).

MIC2026A/76A

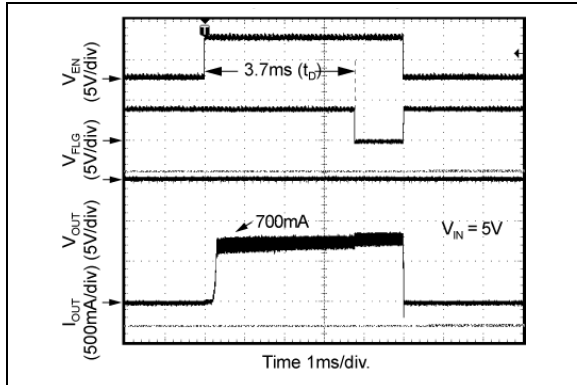


FIGURE 2-25: Enabled into Short (MIC2026A-1).

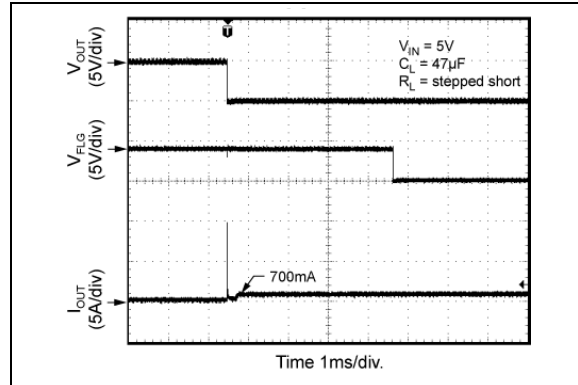


FIGURE 2-28: Current Limit Response, Stepped Short.

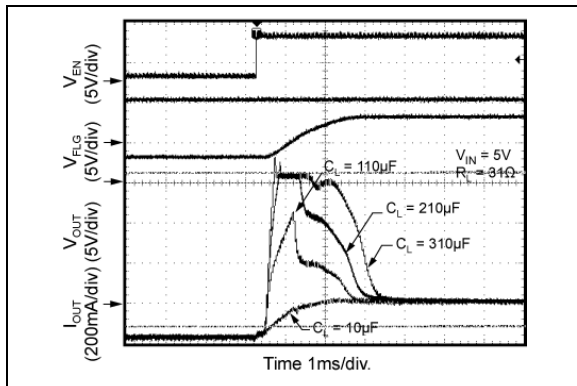


FIGURE 2-26: Inrush Current Response (MIC2026A-1).

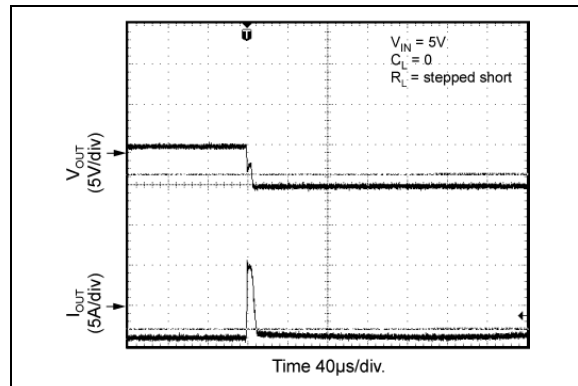


FIGURE 2-29: Current Limit Threshold, Zoom.

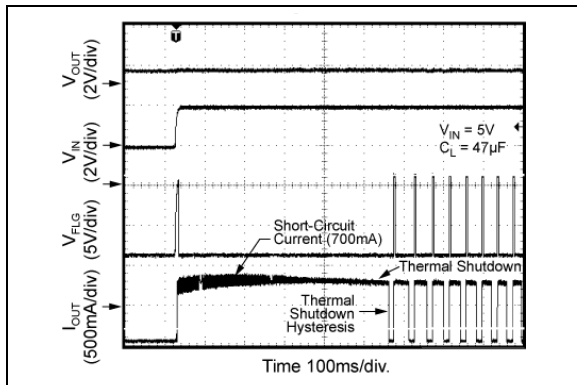


FIGURE 2-27: Current Limit Response, Output Short.

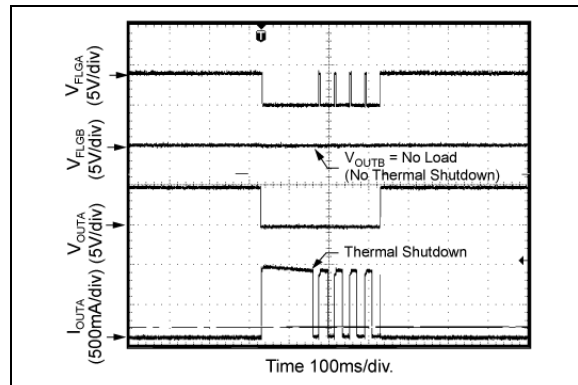


FIGURE 2-30: Independent Thermal Shutdown, OUTA.

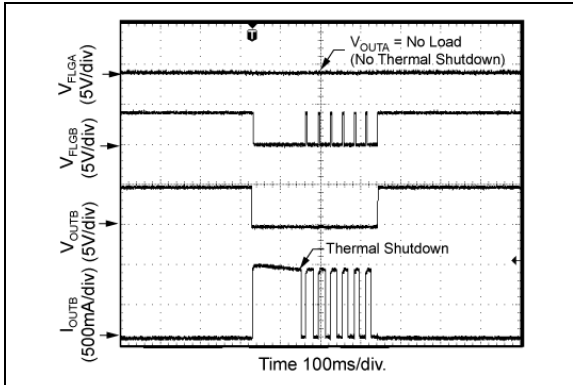


FIGURE 2-31: Independent Thermal Shutdown, OUTB.

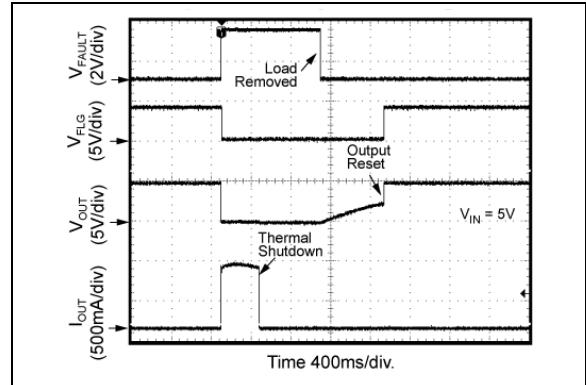


FIGURE 2-34: Thermal Shutdown MIC2076A: Output Reset by Removing Load.

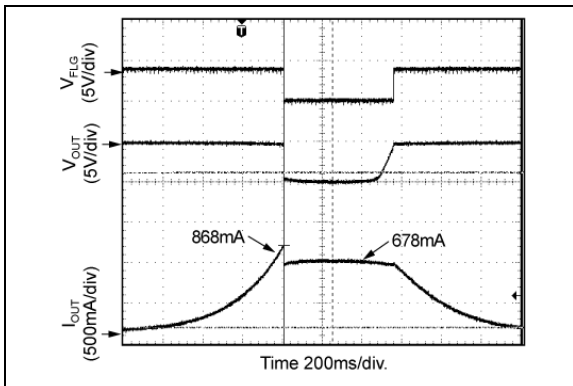


FIGURE 2-32: Current Limit Threshold.

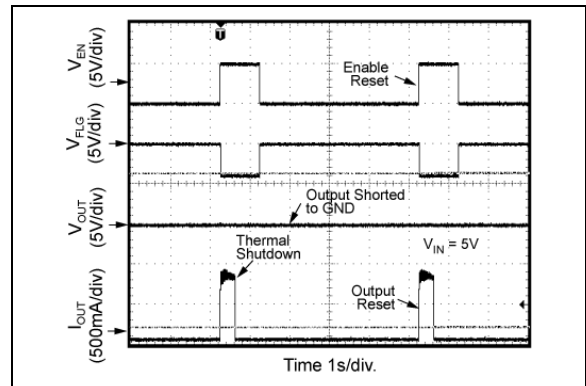


FIGURE 2-35: Thermal Shutdown MIC2076A-1: Output Reset by Enable.

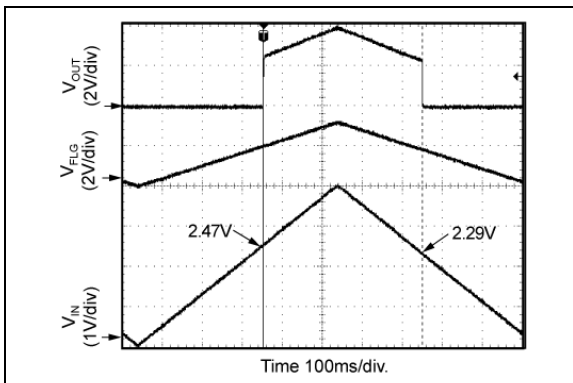


FIGURE 2-33: UVLO.

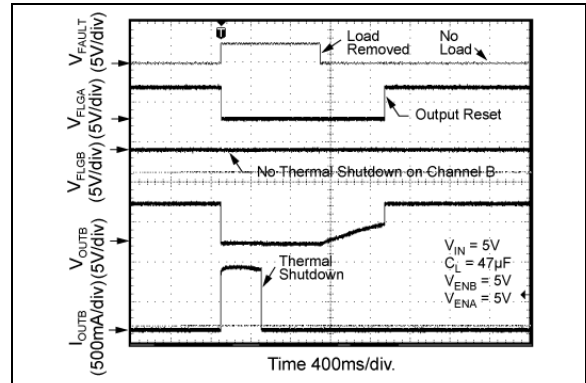


FIGURE 2-36: Independent Thermal Shutdown A MIC2076A-1.

MIC2026A/76A

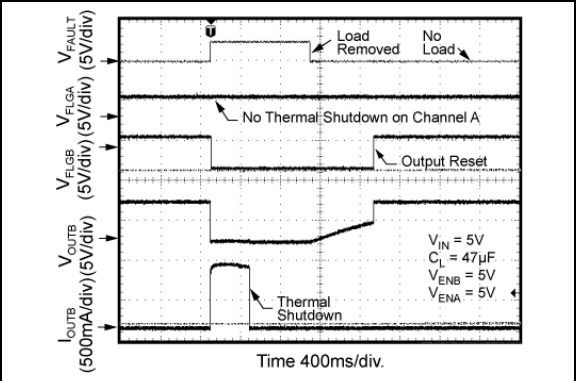


FIGURE 2-37: Independent Thermal Shutdown B MIC2076A-1.

3.0 PIN DESCRIPTIONS

The descriptions of the pins are listed in [Table 3-1](#).

TABLE 3-1: PIN FUNCTION TABLE

Pin Number	Pin Name	Description
1	ENA	Switch A Enable (Input): Logic-compatible, enable input. Active-high (-1) or active-low (-2).
2	FLGA	Fault Flag A (Output): Active-low, open-drain output. A logic LOW state Indicates overcurrent or thermal shutdown conditions. Overcurrent conditions must last longer than t_{BDB} in order to assert FLGA. The FLGA pin can be left floating; however, fault reporting information will be lost.
3	FLGB	Fault Flag B (Output): Active-low, open-drain output. A logic LOW state indicates overcurrent or thermal shutdown conditions. Overcurrent conditions must last longer than t_{BDB} in order to assert FLGB. The FLGB pin can be left floating; however, fault reporting information will be lost.
4	ENB	Switch B Enable (Input): Logic-compatible enable input. Active-high (-1) or active-low (-2).
5	OUTB	Switch B (Output).
6	GND	Ground.
7	IN	Input: Switch and logic supply input.
8	OUTA	Switch A (Output).

MIC2026A/76A

4.0 FUNCTIONAL DESCRIPTION

4.1 Input and Output

IN is the power supply connection to the logic circuitry and the drain of the output MOSFET. OUT is the source of the output MOSFET. In a typical circuit, current flows from IN to OUT toward the load when the switch is enabled.

An important consideration in choosing a switch is whether it has reverse voltage protection. This is accomplished by eliminating the body diode during the fabrication process. Reverse voltage protection is important when the switch is disabled and a voltage is presented to the OUT pin that is greater than the V_{IN} pin voltage. The reverse voltage protection prevents current flow in the reverse path from OUT to IN.

On other hand, when the switch is enabled the switch is bidirectional. In this case, when a voltage is presented to the OUT pin that is greater than the V_{IN} voltage, current will flow from OUT to IN.

4.2 Thermal Shutdown

Thermal shutdown is employed to protect the device from damage should the die temperature exceed safe margins due mainly to short-circuit faults. Each channel employs its own thermal sensor. Thermal shutdown shuts off the output MOSFET and asserts the FLG output if the die temperature reaches 140°C and the overheated channel is in current-limit. The other channel is not affected. If, however, the die temperature exceeds 160°C, both channels will be shut off.

The MIC2026A will automatically reset its output when the die temperature cools down to 120°C. The MIC2026A's output and FLG signal will continue to cycle on and off until the device is disabled or the fault is removed. [Figure 4-1](#) depicts typical timing.

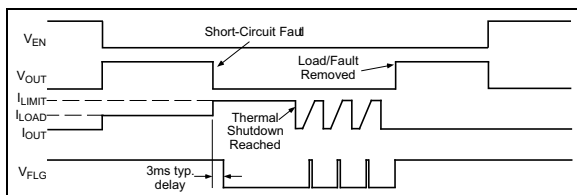


FIGURE 4-1: MIC2026A Fault Timing.

On the other hand, the MIC2076A's output will be turned off, and remain off, until the MIC2076A is reset. This is often called latched output; that is, the output is "latched" off and stays off. This is different from the MIC2026A's output that will cycle on and off. The MIC2076A will latch off the output when the MIC2076A is in current-limiting and the switch goes in to thermal shutdown. Upon entering thermal shutdown, the output

will be immediately latched off. The MIC2076A (latched output) can be reset by any of the following three methods:

1. Remove the fault load.
2. Toggle the EN (Enable) pin.
3. Cycle IN (input power supply).

Resetting the MIC2076A will return it to normal operation. Depending on PCB layout, package, ambient temperature, etc., it may take several hundred milliseconds from the incidence of the fault to the output MOSFET being shut off. This time will be shortest in the case of a dead short on the output.

4.3 Power Dissipation

The device's junction temperature depends on several factors such as the load, PCB layout, ambient temperature, and package type. Equations that can be used to calculate power dissipation of each channel and junction temperature are found below:

EQUATION 4-1:

$$P_D = R_{DS(ON)} \times I_{OUT}^2$$

Total power dissipation of the device will be the summation of P_D for both channels. To relate this to junction temperature, the following equation can be used:

EQUATION 4-2:

$$T_J = P_D \times \theta_{JA} + T_A$$

Where:
 T_J = Junction temperature.
 T_A = Ambient temperature.
 θ_{JA} = Thermal resistance of the package.

4.4 Current Sensing and Limiting

The current-limit threshold is preset internally. The preset level prevents damage to the device and external load, but still allows a minimum current of 500 mA to be delivered to the load.

The current-limit circuit senses a portion of the output MOSFET switch current. The current-sense resistor shown in the [Functional Block Diagram](#) is virtual and has no voltage drop. The reaction to an overcurrent condition varies with three scenarios:

- **Switch Enabled into Short-Circuit:** If a switch is enabled into a heavy load or short-circuit, the

switch immediately enters into a constant current mode, reducing the output voltage. The FLG signal is asserted indicating an overcurrent condition.

- Short-Circuit Applied to Enabled Output:**
 When a heavy load or short-circuit is applied to an enabled switch, a large transient current may flow until the current-limit circuitry responds. Once this occurs, the device limits current to the short-circuit current limit specification.
- Current-Limit Response:** The MIC2026A/2076A current-limit response is often called the foldback current-limit. The foldback current-limit is the current limit reached when the output current is increased slowly rather than abruptly. An approximation of slowly is tens of milliamps per second. The foldback current-limit is typical 200 mA higher than the short-circuit current limit. When the foldback current-limit is reached, the output current will abruptly decrease to the short-circuit current limit.

4.5 Fault Flag

The FLG signal is an N-Channel open-drain MOSFET output. FLG is asserted (active-low) when either an overcurrent or thermal shutdown condition occurs. In the case of an overcurrent condition, FLG will be asserted only after the flag response delay time, t_D , has elapsed. This ensures that FLG is asserted only upon valid overcurrent conditions and that erroneous error reporting is eliminated. For example, false overcurrent conditions can occur during hot plug events when a highly capacitive load is connected and causes a high transient inrush current that exceeds the current-limit threshold for up to 1 ms. The FLG response delay time t_D is typically 3 ms.

4.6 Undervoltage Lockout

Undervoltage lockout (UVLO) prevents the output MOSFET from turning on until V_{IN} exceeds approximately 2.45V. Undervoltage detection functions only when the switch is enabled.

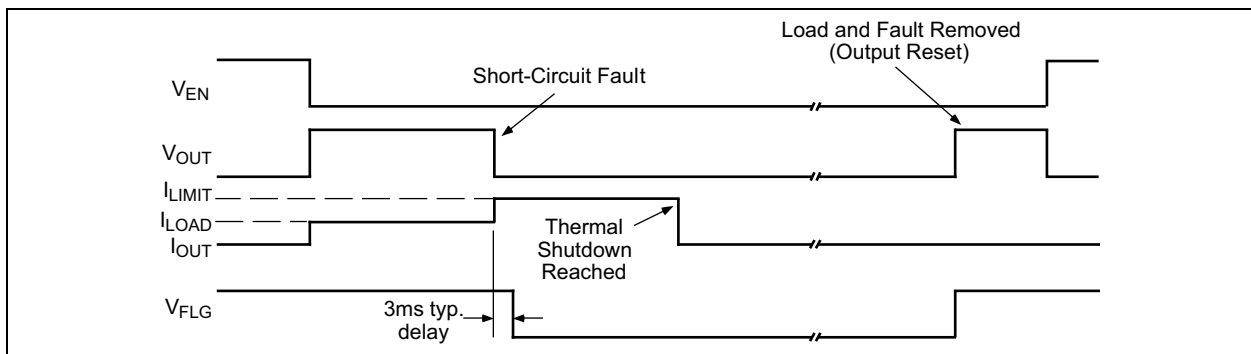


FIGURE 4-2: MIC2076A Fault Timing: Output Reset by Removing Load.

MIC2026A/76A

5.0 APPLICATION INFORMATION

5.1 Supply Filtering

A 0.1 μF to 1 μF bypass capacitor positioned close to the IN and GND pins of the device is strongly recommended to control supply transients. Without a bypass capacitor, an output short may cause sufficient ringing on the input (from supply lead inductance) to damage internal control circuitry.

5.2 Printed Circuit Board Hot-Plug

The MIC2026A/2076A are ideal inrush current-limiters for hot-plug applications. Due to their integrated charge pumps, the MIC2026A/2076A present a high impedance when off and slowly become a low impedance as their integrated charge pumps turn on. This soft-start feature effectively isolates power supplies from highly capacitive loads by reducing inrush current. Figure 5-1 shows how the MIC2026A may be used in a card hot-plug application.

In cases of extremely large capacitive loads ($>400 \mu\text{F}$), the length of the transient due to inrush current may exceed the delay provided by the integrated filter. Because this inrush current exceeds the current-limit delay specification, FLG will be asserted during this time. To prevent the logic controller from responding to FLG being asserted, an external RC filter, as shown in Figure 5-2, can be used to filter out transient FLG assertion. The value of the RC time constant should be selected to match the length of the transient, less $t_{D(\text{MIN})}$ of the MIC2026A/2076A.

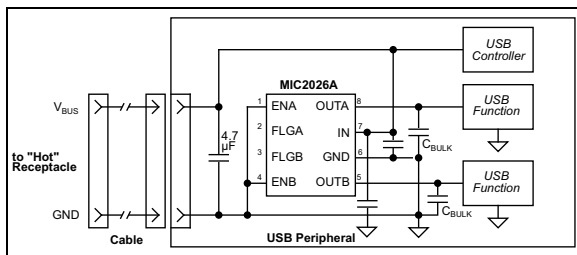


FIGURE 5-1: Hot-Plug Application.

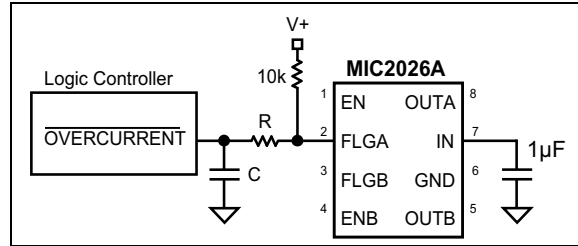


FIGURE 5-2: Transient Filter.

5.3 Universal Serial Bus (USB) Power Distribution

The MIC2026A/2076A are ideally suited for USB (Universal Serial Bus) power distribution applications. The USB specification defines power distribution for USB host systems such as PCs and USB hubs. Hubs can either be self-powered or bus-powered (that is, powered from the bus). Figure 5-3 shows a typical USB Host application that may be suited for mobile PC applications employing USB. The requirement for USB host systems is that the port must supply a minimum of 500 mA at an output voltage of $5\text{V} \pm 5\%$. In addition, the output power delivered must be limited to below 25 VA. Upon an overcurrent condition, the host must also be notified. To support hot-plug events, the hub must have a minimum of 120 μF of bulk capacitance, preferably low ESR electrolytic or tantalum. Please refer to Application Note 17 for more details on designing compliant USB hub and host systems.

For bus-powered hubs, USB requires that each downstream port be switched on or off under control by the host. Up to four downstream ports each capable of supplying 100 mA at 4.4V minimum are allowed. In addition, to reduce voltage droop on the upstream V_{BUS} , soft-start is necessary. Although the hub can consume up to 500 mA from the upstream bus, the hub must consume only 100 mA max at start-up, until it enumerates with the host prior to requesting more power. The same requirements apply for bus-powered peripherals that have no downstream ports. Figure 5-4 shows a bus-powered hub.

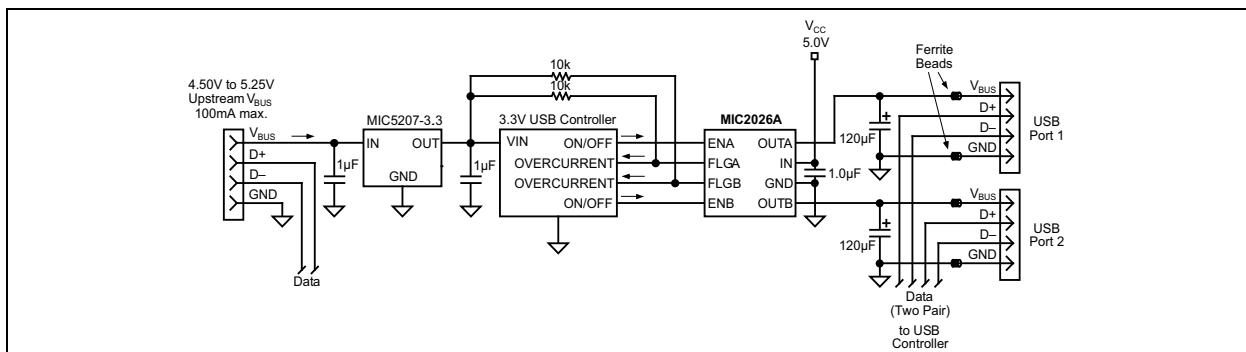


FIGURE 5-3: USB Two-Port Host Application.

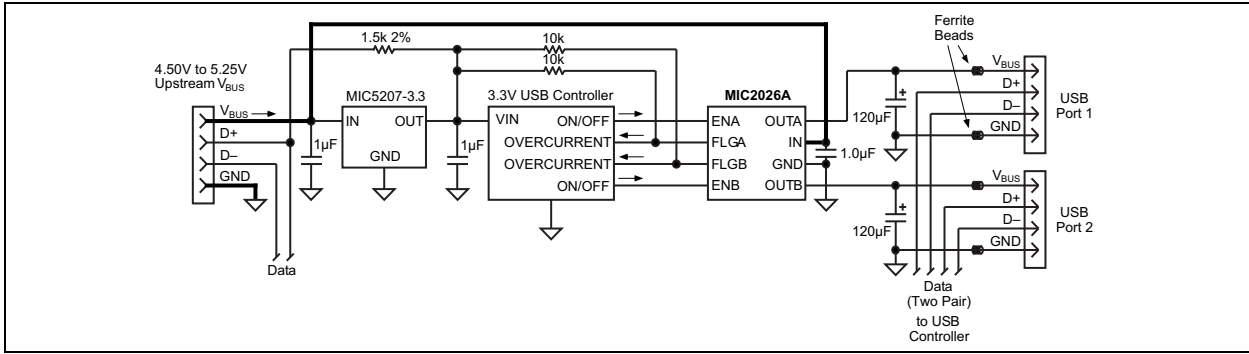
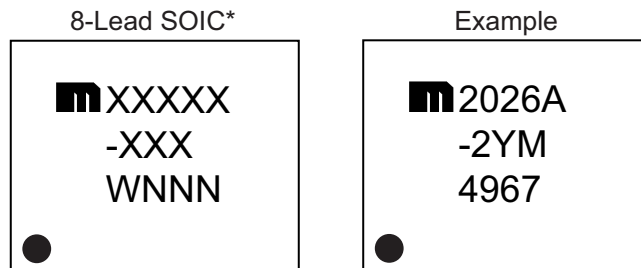


FIGURE 5-4: USB Two-Port Bus-Powered Hub.

MIC2026A/76A

6.0 PACKAGING INFORMATION

6.1 Package Marking Information



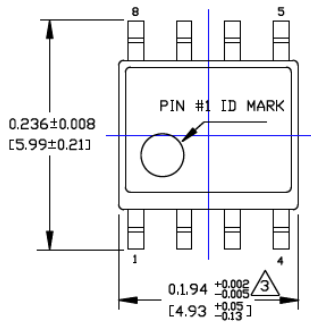
<p>Legend: XX...X Product code or customer-specific information Y Year code (last digit of calendar year) YY Year code (last 2 digits of calendar year) WW Week code (week of January 1 is week '01') NNN Alphanumeric traceability code Ⓔ3 Pb-free JEDEC® designator for Matte Tin (Sn) * This package is Pb-free. The Pb-free JEDEC designator (Ⓔ3) can be found on the outer packaging for this package.</p> <p>●, ▲, ▼ Pin one index is identified by a dot, delta up, or delta down (triangle mark).</p>
<p>Note: In the event the full Microchip part number cannot be marked on one line, it will be carried over to the next line, thus limiting the number of available characters for customer-specific information. Package may or may not include the corporate logo.</p> <p>Underbar (¯) and/or Overbar (˘) symbol may not be to scale.</p>

8-Lead SOIC Package Outline and Recommended Land Pattern

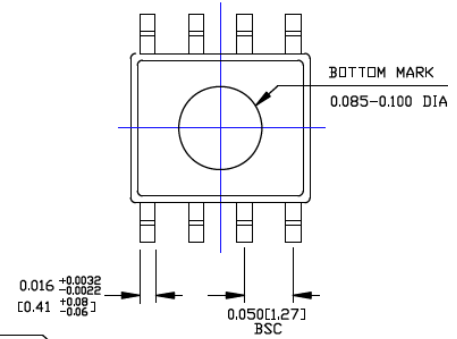
TITLE

8 LEAD SOICN PACKAGE OUTLINE & RECOMMENDED LAND PATTERN

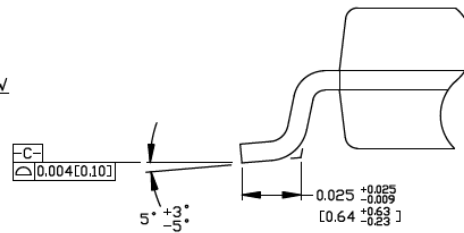
DRAWING #	SOICN-8LD-PL-1	UNIT	INCH [MM]
-----------	----------------	------	-----------



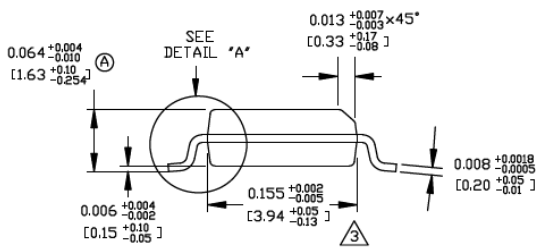
TOP VIEW



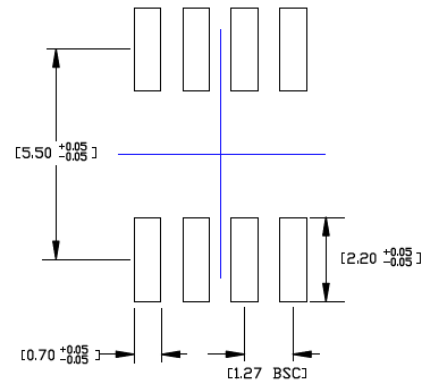
BOTTOM VIEW



DETAIL "A"



END VIEW



RECOMMENDED LAND PATTERN

NOTES:

1. DIMENSIONS ARE IN INCHES[MM].
2. CONTROLLING DIMENSION: INCHES.
3. DIMENSION DOES NOT INCLUDE MOLD FLASH OR PROTRUSIONS, EITHER OF WHICH SHALL NOT EXCEED 0.010[0.25] PER SIDE.

Note: For the most current package drawings, please see the Microchip Packaging Specification located at <http://www.microchip.com/packaging>.

MIC2026A/76A

NOTES:

APPENDIX A: REVISION HISTORY

Revision A (November 2021)

- Converted Micrel document MIC2026A/76A to Microchip data sheet DS20006608A.
- Minor text changes throughout.

MIC2026A/76A

NOTES:

PRODUCT IDENTIFICATION SYSTEM

To order or obtain information, e.g., on pricing or delivery, contact your local Microchip representative or sales office.

<u>PART No.</u>	<u>-X</u>	<u>X</u>	<u>X</u>	<u>-XX</u>	Examples:
Device	Enable	Junction Temp. Range	Package	Media Type	
Device:	MIC2026A:	Dual-Channel Power Distribution Switch			a) MIC2026A-1YM: Dual-Channel Power Distribution Switch, Active-High Enable, -40°C to +85°C Temp. Range, 8-Lead SOIC, 95/Tube
	MIC2076A:	Dual-Channel Power Distribution Switch with Circuit Breaker Mode			b) MIC2026A-2YM-TR: Dual-Channel Power Distribution Switch, Active-Low Enable, -40°C to +85°C Temp. Range, 8-Lead SOIC, 2,500/Reel
Enable:	-1	= Active-High			c) MIC2076A-2YM: Dual-Channel Power Distribution Switch with Circuit Breaker Mode, Active-Low Enable, -40°C to +85°C Temp. Range, 8-Lead SOIC, 95/Tube
	-2	= Active-Low			d) MIC2076A-1YM-TR: Dual-Channel Power Distribution Switch with Circuit Breaker Mode, Active-High Enable, -40°C to +85°C Temp. Range, 8-Lead SOIC, 2,500/ Reel
Junction Temperature Range:	Y	= -40°C to +85°C			Note 1: Tape and Reel identifier only appears in the catalog part number description. This identifier is used for ordering purposes and is not printed on the device package. Check with your Microchip Sales Office for package availability with the Tape and Reel option.
Package:	M	= 8-Lead SOIC			
Media Type:	(blank)	= 95/Tube			
	TR	= 2,500/Reel			

MIC2026A/76A

NOTES:

Note the following details of the code protection feature on Microchip products:

- Microchip products meet the specifications contained in their particular Microchip Data Sheet.
- Microchip believes that its family of products is secure when used in the intended manner, within operating specifications, and under normal conditions.
- Microchip values and aggressively protects its intellectual property rights. Attempts to breach the code protection features of Microchip product is strictly prohibited and may violate the Digital Millennium Copyright Act.
- Neither Microchip nor any other semiconductor manufacturer can guarantee the security of its code. Code protection does not mean that we are guaranteeing the product is “unbreakable”. Code protection is constantly evolving. Microchip is committed to continuously improving the code protection features of our products.

This publication and the information herein may be used only with Microchip products, including to design, test, and integrate Microchip products with your application. Use of this information in any other manner violates these terms. Information regarding device applications is provided only for your convenience and may be superseded by updates. It is your responsibility to ensure that your application meets with your specifications. Contact your local Microchip sales office for additional support or, obtain additional support at <https://www.microchip.com/en-us/support/design-help/client-support-services>.

THIS INFORMATION IS PROVIDED BY MICROCHIP "AS IS". MICROCHIP MAKES NO REPRESENTATIONS OR WARRANTIES OF ANY KIND WHETHER EXPRESS OR IMPLIED, WRITTEN OR ORAL, STATUTORY OR OTHERWISE, RELATED TO THE INFORMATION INCLUDING BUT NOT LIMITED TO ANY IMPLIED WARRANTIES OF NON-INFRINGEMENT, MERCHANTABILITY, AND FITNESS FOR A PARTICULAR PURPOSE, OR WARRANTIES RELATED TO ITS CONDITION, QUALITY, OR PERFORMANCE.

IN NO EVENT WILL MICROCHIP BE LIABLE FOR ANY INDIRECT, SPECIAL, PUNITIVE, INCIDENTAL, OR CONSEQUENTIAL LOSS, DAMAGE, COST, OR EXPENSE OF ANY KIND WHATSOEVER RELATED TO THE INFORMATION OR ITS USE, HOWEVER CAUSED, EVEN IF MICROCHIP HAS BEEN ADVISED OF THE POSSIBILITY OR THE DAMAGES ARE FORESEEABLE. TO THE FULLEST EXTENT ALLOWED BY LAW, MICROCHIP'S TOTAL LIABILITY ON ALL CLAIMS IN ANY WAY RELATED TO THE INFORMATION OR ITS USE WILL NOT EXCEED THE AMOUNT OF FEES, IF ANY, THAT YOU HAVE PAID DIRECTLY TO MICROCHIP FOR THE INFORMATION.

Use of Microchip devices in life support and/or safety applications is entirely at the buyer's risk, and the buyer agrees to defend, indemnify and hold harmless Microchip from any and all damages, claims, suits, or expenses resulting from such use. No licenses are conveyed, implicitly or otherwise, under any Microchip intellectual property rights unless otherwise stated.

For information regarding Microchip's Quality Management Systems, please visit www.microchip.com/quality.

Trademarks

The Microchip name and logo, the Microchip logo, Adaptec, AnyRate, AVR, AVR logo, AVR Freaks, BesTime, BitCloud, CryptoMemory, CryptoRF, dsPIC, flexPWR, HELDO, IGLOO, JukeBlox, KeeLoq, Kleer, LANCheck, LinkMD, maXStylus, maXTouch, MediaLB, megaAVR, Microsemi, Microsemi logo, MOST, MOST logo, MPLAB, OptoLyzer, PIC, picoPower, PICSTART, PIC32 logo, PolarFire, Prochip Designer, QTouch, SAM-BA, SenGenuity, SpyNIC, SST, SST Logo, SuperFlash, Symmetricom, SyncServer, Tachyon, TimeSource, tinyAVR, UNI/O, Vectron, and XMEGA are registered trademarks of Microchip Technology Incorporated in the U.S.A. and other countries.

AgileSwitch, APT, ClockWorks, The Embedded Control Solutions Company, EtherSynch, Flashtec, Hyper Speed Control, HyperLight Load, IntelliMOS, Libero, motorBench, mTouch, Powermite 3, Precision Edge, ProASIC, ProASIC Plus, ProASIC Plus logo, QuietWire, SmartFusion, SyncWorld, Temux, TimeCesium, TimeHub, TimePictra, TimeProvider, TrueTime, WinPath, and ZL are registered trademarks of Microchip Technology Incorporated in the U.S.A.

Adjacent Key Suppression, AKS, Analog-for-the-Digital Age, Any Capacitor, AnyIn, AnyOut, Augmented Switching, BlueSky, BodyCom, CodeGuard, CryptoAuthentication, CryptoAutomotive, CryptoCompanion, CryptoController, dsPICDEM, dsPICDEM.net, Dynamic Average Matching, DAM, ECAN, Espresso T1S, EtherGREEN, GridTime, IdealBridge, In-Circuit Serial Programming, ICSP, INICnet, Intelligent Paralleling, Inter-Chip Connectivity, JitterBlocker, Knob-on-Display, maxCrypto, maxView, memBrain, Mindi, MiWi, MPASM, MPF, MPLAB Certified logo, MPLIB, MPLINK, MultiTRAK, NetDetach, NVM Express, NVMe, Omniscient Code Generation, PICDEM, PICDEM.net, PICkit, PICtail, PowerSmart, PureSilicon, QMatrix, REAL ICE, Ripple Blocker, RTAX, RTG4, SAM-ICE, Serial Quad I/O, simpleMAP, SimpliPHY, SmartBuffer, SmartHLS, SMART-I.S., storClad, SQI, SuperSwitcher, SuperSwitcher II, Switchtec, SynchroPHY, Total Endurance, TSHARC, USBCheck, VariSense, VectorBlox, VeriPHY, ViewSpan, WiperLock, XpressConnect, and ZENA are trademarks of Microchip Technology Incorporated in the U.S.A. and other countries.

SQTP is a service mark of Microchip Technology Incorporated in the U.S.A.

The Adaptec logo, Frequency on Demand, Silicon Storage Technology, Symmcom, and Trusted Time are registered trademarks of Microchip Technology Inc. in other countries.

GestIC is a registered trademark of Microchip Technology Germany II GmbH & Co. KG, a subsidiary of Microchip Technology Inc., in other countries.

All other trademarks mentioned herein are property of their respective companies.

© 2021, Microchip Technology Incorporated and its subsidiaries.

All Rights Reserved.

ISBN: 978-1-5224-9228-3



MICROCHIP

Worldwide Sales and Service

AMERICAS

Corporate Office
2355 West Chandler Blvd.
Chandler, AZ 85224-6199
Tel: 480-792-7200
Fax: 480-792-7277
Technical Support:
<http://www.microchip.com/support>
Web Address:
www.microchip.com

Atlanta

Duluth, GA
Tel: 678-957-9614
Fax: 678-957-1455

Austin, TX

Tel: 512-257-3370

Boston

Westborough, MA
Tel: 774-760-0087
Fax: 774-760-0088

Chicago

Itasca, IL
Tel: 630-285-0071
Fax: 630-285-0075

Dallas

Addison, TX
Tel: 972-818-7423
Fax: 972-818-2924

Detroit

Novi, MI
Tel: 248-848-4000

Houston, TX

Tel: 281-894-5983

Indianapolis

Noblesville, IN
Tel: 317-773-8323
Fax: 317-773-5453
Tel: 317-536-2380

Los Angeles

Mission Viejo, CA
Tel: 949-462-9523
Fax: 949-462-9608
Tel: 951-273-7800

Raleigh, NC

Tel: 919-844-7510

New York, NY

Tel: 631-435-6000

San Jose, CA

Tel: 408-735-9110
Tel: 408-436-4270

Canada - Toronto

Tel: 905-695-1980
Fax: 905-695-2078

ASIA/PACIFIC

Australia - Sydney
Tel: 61-2-9868-6733

China - Beijing
Tel: 86-10-8569-7000

China - Chengdu
Tel: 86-28-8665-5511

China - Chongqing
Tel: 86-23-8980-9588

China - Dongguan
Tel: 86-769-8702-9880

China - Guangzhou
Tel: 86-20-8755-8029

China - Hangzhou
Tel: 86-571-8792-8115

China - Hong Kong SAR
Tel: 852-2943-5100

China - Nanjing
Tel: 86-25-8473-2460

China - Qingdao
Tel: 86-532-8502-7355

China - Shanghai
Tel: 86-21-3326-8000

China - Shenyang
Tel: 86-24-2334-2829

China - Shenzhen
Tel: 86-755-8864-2200

China - Suzhou
Tel: 86-186-6233-1526

China - Wuhan
Tel: 86-27-5980-5300

China - Xian
Tel: 86-29-8833-7252

China - Xiamen
Tel: 86-592-2388138

China - Zhuhai
Tel: 86-756-3210040

ASIA/PACIFIC

India - Bangalore
Tel: 91-80-3090-4444

India - New Delhi
Tel: 91-11-4160-8631

India - Pune
Tel: 91-20-4121-0141

Japan - Osaka
Tel: 81-6-6152-7160

Japan - Tokyo
Tel: 81-3-6880-3770

Korea - Daegu
Tel: 82-53-744-4301

Korea - Seoul
Tel: 82-2-554-7200

Malaysia - Kuala Lumpur
Tel: 60-3-7651-7906

Malaysia - Penang
Tel: 60-4-227-8870

Philippines - Manila
Tel: 63-2-634-9065

Singapore
Tel: 65-6334-8870

Taiwan - Hsin Chu
Tel: 886-3-577-8366

Taiwan - Kaohsiung
Tel: 886-7-213-7830

Taiwan - Taipei
Tel: 886-2-2508-8600

Thailand - Bangkok
Tel: 66-2-694-1351

Vietnam - Ho Chi Minh
Tel: 84-28-5448-2100

EUROPE

Austria - Wels
Tel: 43-7242-2244-39
Fax: 43-7242-2244-393

Denmark - Copenhagen
Tel: 45-4485-5910
Fax: 45-4485-2829

Finland - Espoo
Tel: 358-9-4520-820

France - Paris
Tel: 33-1-69-53-63-20
Fax: 33-1-69-30-90-79

Germany - Garching
Tel: 49-8931-9700

Germany - Haan
Tel: 49-2129-3766400

Germany - Heilbronn
Tel: 49-7131-72400

Germany - Karlsruhe
Tel: 49-721-625370

Germany - Munich
Tel: 49-89-627-144-0
Fax: 49-89-627-144-44

Germany - Rosenheim
Tel: 49-8031-354-560

Israel - Ra'anana
Tel: 972-9-744-7705

Italy - Milan
Tel: 39-0331-742611
Fax: 39-0331-466781

Italy - Padova
Tel: 39-049-7625286

Netherlands - Drunen
Tel: 31-416-690399
Fax: 31-416-690340

Norway - Trondheim
Tel: 47-7288-4388

Poland - Warsaw
Tel: 48-22-3325737

Romania - Bucharest
Tel: 40-21-407-87-50

Spain - Madrid
Tel: 34-91-708-08-90
Fax: 34-91-708-08-91

Sweden - Gothenberg
Tel: 46-31-704-60-40

Sweden - Stockholm
Tel: 46-8-5090-4654

UK - Wokingham
Tel: 44-118-921-5800
Fax: 44-118-921-5820