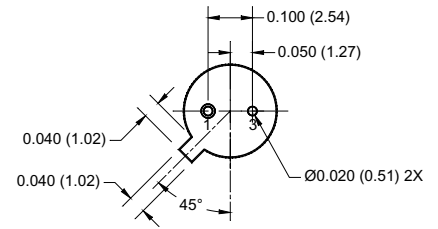
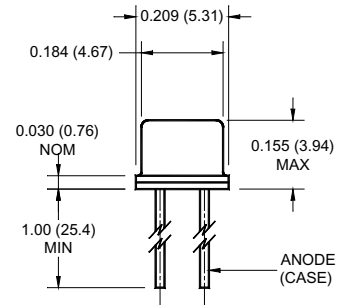
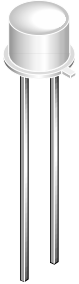


Hermetic Light Emitting Diodes

TO-46 Diode Package (Flat Lens)



Part Number	$P_O @ 100 \text{ mA } I_F$ (mW)		$V_F @ 100 \text{ mA } I_F$ (V)	$I_R @ 3 \text{ V } V_R$ (μA)	Emission Angle in Degrees ($^\circ$) @ 1/2 Power	Wavelength (nm) λ_p
	min	max	max	max		
1N6265	6.00	-	1.7	10	80	940
CQX15	5.40	-	1.7	10	80	940
CQX17	1.50	-	1.7	10	80	940
LED55BF	3.50	-	1.7	10	80	940
LED55CF	5.40	-	1.7	10	80	940
LED56F	1.50	-	1.7	10	80	940
F5E1	12.00	-	1.8	10	80	880
F5E2	9.00	-	1.8	10	80	880
F5E3	10.50	-	1.8	10	80	880

All dimensions are in inches (millimeters)

Absolute Maximum Ratings

PARAMETER 1N, CQX, LED, F5

Temperature

T_{OPR}	-65 to +125 $^\circ\text{C}$
T_{STG}	-65 to +150 $^\circ\text{C}$
T_{SOL-L}	240 $^\circ\text{C}$ for 5 sec
T_{SOL-F}	260 $^\circ\text{C}$ for 10 sec

LED

I_F	100 mA
I_R	3.0 V
P_D	170 mW