

# NM25C020

## 2K-Bit Serial CMOS EEPROM

### (Serial Peripheral Interface (SPI) Synchronous Bus)

#### General Description

The NM25C020 is a 2048-bit CMOS EEPROM with an SPI compatible serial interface. The NM25C020 is designed for data storage in applications requiring both non-volatile memory and in-system data updates. This EEPROM is well suited for applications using the 68HC11 series of microcontrollers that support the SPI interface for high speed communication with peripheral devices via a serial bus to reduce pin count. The NM25C020 is implemented in Fairchild Semiconductor's floating gate CMOS process that provides superior endurance and data retention.

The serial data transmission of this device requires four signal lines to control the device operation: Chip Select (CS), Clock (SCK), Data In (SI), and Serial Data Out (SO). All programming cycles are completely self-timed and do not require an erase before WRITE.

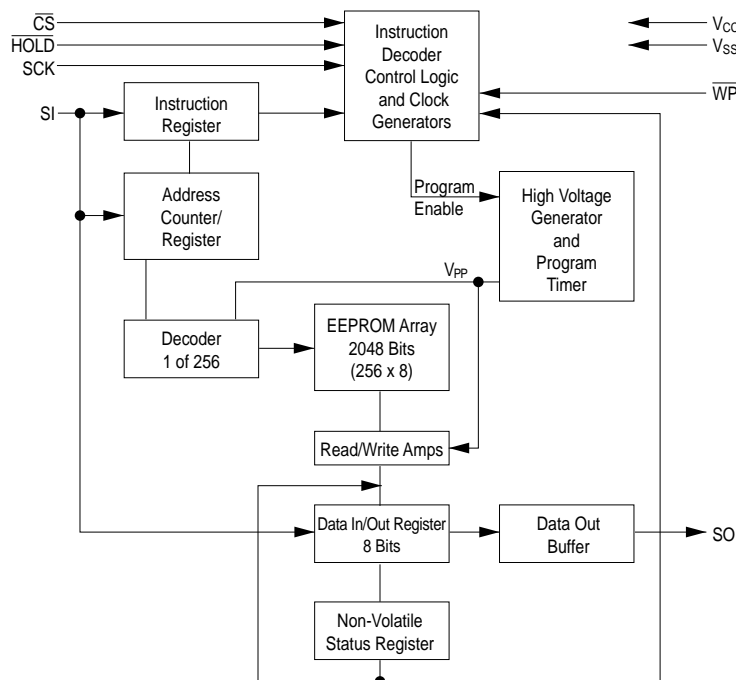
BLOCK WRITE protection is provided by programming the STATUS REGISTER with one of four levels of write protection. Additionally, separate WRITE enable and WRITE disable instructions are provided for data protection.

Hardware data protection is provided by the  $\overline{WP}$  pin to protect against inadvertent programming. The HOLD pin allows the serial communication to be suspended without resetting the serial sequence.

#### Features

- 2.1 MHz clock rate @ 2.7V to 5.5V
- 2048 bits organized as 256 x 8
- Multiple chips on the same 3-wire bus with separate chip select lines
- Self-timed programming cycle
- Simultaneous programming of 1 to 4 bytes at a time
- Status register can be polled during programming to monitor READY/BUSY
- Write Protect ( $\overline{WP}$ ) pin and write disable instruction for both hardware and software write protection
- Block write protect feature to protect against accidental writes
- Endurance: 1,000,000 data changes
- Data retention greater than 40 years
- Packages available: 8-pin DIP, 8-pin SO, or 8-pin TSSOP

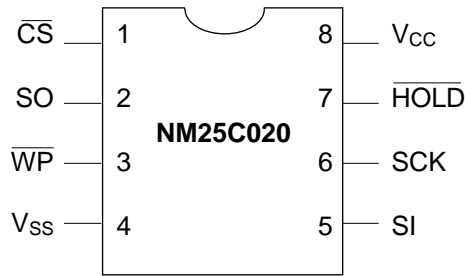
#### Block Diagram



DS012400-1

## Connection Diagram

**Dual-In-Line Package (N), SO Package (M8),  
and TSSOP Package (MT8)**



DS012400-2

**Top View**

**See Package Number N08E (N), M08A (M8), and MTC08 (MT8)**

## Pin Names

|                          |                      |
|--------------------------|----------------------|
| $\overline{\text{CS}}$   | Chip Select Input    |
| SO                       | Serial Data Output   |
| $\overline{\text{WP}}$   | Write Protect        |
| $V_{\text{SS}}$          | Ground               |
| SI                       | Serial Data Input    |
| SCK                      | Serial Clock Input   |
| $\overline{\text{HOLD}}$ | Suspends Serial Data |
| $V_{\text{CC}}$          | Power Supply         |

## Ordering Information

|           |           |          |           |           |          |           |                                |  |
|-----------|-----------|----------|-----------|-----------|----------|-----------|--------------------------------|--|
| <b>NM</b> | <b>25</b> | <b>C</b> | <b>XX</b> | <b>LZ</b> | <b>E</b> | <b>XX</b> | <b>Letter</b>                  | <b>Description</b>                             |
|           |           |          |           |           |          |           | <b>Package</b>                 | N<br>M8<br>MT8                                 |
|           |           |          |           |           |          |           | <b>Temp. Range</b>             | None<br>V<br>E                                 |
|           |           |          |           |           |          |           | <b>Voltage Operating Range</b> | Blank<br>L<br>LZ                               |
|           |           |          |           |           |          |           | <b>Density/Mode</b>            | 020  |
|           |           |          |           |           |          |           | <b>Interface</b>               | C<br>25  |
|           |           |          |           |           |          |           | <b>NM</b>                      | <b>Fairchild Nonvolatile<br/>Memory Prefix</b> |

## Standard Voltage $4.5 \leq V_{CC} \leq 5.5V$ Specifications

### Absolute Maximum Ratings (Note 1)

|  |                 |
|--|-----------------|
| Ambient Storage Temperature                        | -65°C to +150°C |
| All Input or Output Voltage with Respect to Ground | +6.5V to -0.3V  |
| Lead Temp. (Soldering, 10 sec.)                    | +300°C          |
| ESD Rating   | 2000V           |

### Operating Conditions

|                               |           |                 |
|-------------------------------|-----------|-----------------|
| Ambient Operating Temperature | NM25C020  | 0°C to +70°C    |
|                               | NM25C020E | -40°C to +85°C  |
|                               | NM25C020V | -40°C to +125°C |
| Power Supply ( $V_{CC}$ )     |           | 4.5V to 5.5V    |

### DC and AC Electrical Characteristics $4.5V \leq V_{CC} \leq 5.5V$ (unless otherwise specified)

| Symbol     | Parameter                     | Conditions                  | Min            | Max            | Units   |
|------------|-------------------------------|-----------------------------|----------------|----------------|---------|
| $I_{CC}$   | Operating Current             | $\overline{CS} = V_{IL}$    |                | 3              | mA      |
| $I_{CCSB}$ | Standby Current               | $\overline{CS} = V_{CC}$    |                | 50             | $\mu A$ |
| $I_{IL}$   | Input Leakage                 | $V_{IN} = 0$ to $V_{CC}$    | -1             | +1             | $\mu A$ |
| $I_{OL}$   | Output Leakage                | $V_{OUT} = GND$ to $V_{CC}$ | -1             | +1             | $\mu A$ |
| $V_{IL}$   | CMOS Input Low Voltage        |                             | -0.3           | $V_{CC} * 0.3$ | V       |
| $V_{IH}$   | CMOS Input High Voltage       |                             | $0.7 * V_{CC}$ | $V_{CC} + 0.3$ | V       |
| $V_{OL}$   | Output Low Voltage            | $I_{OL} = 1.6$ mA           |                | 0.4            | V       |
| $V_{OH}$   | Output High Voltage           | $I_{OH} = -0.8$ mA          | $V_{CC} - 0.8$ |                | V       |
| $f_{OP}$   | SCK Frequency                 |                             |                | 2.1            | MHz     |
| $t_{RI}$   | Input Rise Time               |                             |                | 2.0            | $\mu s$ |
| $t_{FI}$   | Input Fall Time               |                             |                | 2.0            | $\mu s$ |
| $t_{CLH}$  | Clock High Time               | (Note 2)                    | 190            |                | ns      |
| $t_{CLL}$  | Clock Low Time                | (Note 2)                    | 190            |                | ns      |
| $t_{CSH}$  | Min $\overline{CS}$ High Time | (Note 3)                    | 240            |                | ns      |
| $t_{CSS}$  | $\overline{CS}$ Setup Time    |                             | 240            |                | ns      |
| $t_{DIS}$  | Data Setup Time               |                             | 100            |                | ns      |
| $t_{HDS}$  | HOLD Setup Time               |                             | 90             |                | ns      |
| $t_{CSN}$  | $\overline{CS}$ Hold Time     |                             | 240            |                | ns      |
| $t_{DIN}$  | Data Hold Time                |                             | 100            |                | ns      |
| $t_{HDN}$  | HOLD Hold Time                |                             | 90             |                | ns      |
| $t_{PD}$   | Output Delay                  | $C_L = 200$ pF              |                | 240            | ns      |
| $t_{DH}$   | Output Hold Time              |                             | 0              |                | ns      |
| $t_{LZ}$   | HOLD to Output Low Z          |                             |                | 100            | ns      |
| $t_{DF}$   | Output Disable Time           | $C_L = 200$ pF              |                | 240            | ns      |
| $t_{HZ}$   | HOLD to Output High Z         |                             |                | 100            | ns      |
| $t_{WP}$   | Write Cycle Time              | 1–4 Bytes                   |                | 10             | ms      |

### Capacitance $T_A = 25^\circ C$ , $f = 2.1/1$ MHz (Note 4)

| Symbol    | Test               | Typ | Max | Units |
|-----------|--------------------|-----|-----|-------|
| $C_{OUT}$ | Output Capacitance | 3   | 8   | pF    |
| $C_{IN}$  | Input Capacitance  | 2   | 6   | pF    |

### AC Test Conditions

|                                    |                               |
|------------------------------------|-------------------------------|
| Output Load                        | $C_L = 200$ pF                |
| Input Pulse Levels                 | $0.1 * V_{CC} - 0.9 * V_{CC}$ |
| Timing Measurement Reference Level | $0.3 * V_{CC} - .07 * V_{CC}$ |

**Note 1:** Stress above those listed under "Absolute Maximum Ratings" may cause permanent damage to the device. This is a stress rating only, and functional operation of the device at these or any other conditions above those indicated in the operational sections of the specification is not implied. Exposure to absolute maximum rating conditions for extended periods may affect device reliability.

**Note 2:** The  $f_{OP}$  frequency specification specifies a minimum clock period of  $1/f_{OP}$ . Therefore, for every  $f_{OP}$  clock cycle,  $t_{CLH} + t_{CLL}$  must be equal to or greater than  $1/f_{OP}$ . For example, if the 2.1MHz period = 476ns and  $t_{CLH} = 190ns$ ,  $t_{CLL}$  must be 286ns.

**Note 3:**  $\overline{CS}$  must be brought high for a minimum of  $t_{CSH}$  between consecutive instruction cycles.

**Note 4:** This parameter is periodically sampled and not 100% tested.

## Low Voltage $2.7V \leq V_{CC} \leq 4.5V$ Specifications

### Absolute Maximum Ratings (Note 5)

|  |                 |
|--|-----------------|
| Ambient Storage Temperature                        | -65°C to +150°C |
| All Input or Output Voltage with Respect to Ground | +6.5V to -0.3V  |
| Lead Temp. (Soldering, 10 sec.)                    | +300°C          |
| ESD Rating   | 2000V           |

### Operating Conditions

|                               |                 |
|-------------------------------|-----------------|
| Ambient Operating Temperature | 0°C to +70°C    |
| NM25C020L/LZ                  | -40°C to +85°C  |
| NM25C020LE/LZE                | -40°C to +125°C |
| NM25C020LV                    |                 |
| Power Supply ( $V_{CC}$ )     | 2.7V–4.5V       |

### DC and AC Electrical Characteristics $2.7V \leq V_{CC} \leq 4.5V$ (unless otherwise specified)

| Symbol     | Parameter                      | Part    | Conditions                  | 25C020L/LE<br>25C020LZ/LZE |                | 25C020LV       |                | Units              |
|------------|--------------------------------|---------|-----------------------------|----------------------------|----------------|----------------|----------------|--------------------|
|            |                                |         |                             | Min.                       | Max.           | Min            | Max            |                    |
| $I_{CC}$   | Operating Current              |         | $\overline{CS} = V_{IL}$    |                            | 3              |                | 3              | mA                 |
| $I_{CCSB}$ | Standby Current                | L<br>LZ | $\overline{CS} = V_{CC}$    |                            | 10<br>1        |                | 10<br>N/A      | $\mu A$<br>$\mu A$ |
| $I_{IL}$   | Input Leakage                  |         | $V_{IN} = 0$ to $V_{CC}$    | -1                         | 1              | -1             | 1              | $\mu A$            |
| $I_{OL}$   | Output Leakage                 |         | $V_{OUT} = GND$ to $V_{CC}$ | -1                         | 1              | -1             | 1              | $\mu A$            |
| $V_{IL}$   | Input Low Voltage              |         |                             | -0.3                       | $V_{CC} * 0.3$ | -0.3           | $V_{CC} * 0.3$ | V                  |
| $V_{IH}$   | Input High Voltage             |         |                             | $0.7 * V_{CC}$             | $V_{CC} + 0.3$ | $0.7 * V_{CC}$ | $V_{CC} + 0.3$ | V                  |
| $V_{OL}$   | Output Low Voltage             |         | $I_{OL} = 0.8$ mA           |                            | 0.4            |                | 0.4            | V                  |
| $V_{OH}$   | Output High Voltage            |         | $I_{OH} = -0.8$ mA          | $V_{CC} - 0.8$             |                | $V_{CC} - 0.8$ |                | V                  |
| $f_{OP}$   | SCK Frequency                  |         |                             |                            | 1.0            |                | 1.0            | MHz                |
| $t_{RI}$   | Input Rise Time                |         |                             |                            | 2.0            |                | 2.0            | $\mu s$            |
| $t_{FI}$   | Input Fall Time                |         |                             |                            | 2.0            |                | 2.0            | $\mu s$            |
| $t_{CLH}$  | Clock High Time                |         | (Note 6)                    | 410                        |                | 410            |                | ns                 |
| $t_{CLL}$  | Clock Low Time                 |         | (Note 6)                    | 410                        |                | 410            |                | ns                 |
| $t_{CSH}$  | Min. $\overline{CS}$ High Time |         | (Note 7)                    | 500                        |                | 500            |                | ns                 |
| $t_{CSS}$  | CS Setup Time                  |         |                             | 500                        |                | 500            |                | ns                 |
| $t_{DIS}$  | Data Setup Time                |         |                             | 100                        |                | 100            |                | ns                 |
| $t_{HDS}$  | HOLD Setup Time                |         |                             | 240                        |                | 240            |                | ns                 |
| $t_{CSN}$  | $\overline{CS}$ Hold Time      |         |                             | 500                        |                | 500            |                | ns                 |
| $t_{DIN}$  | Data Hold Time                 |         |                             | 100                        |                | 100            |                | ns                 |
| $t_{HDN}$  | HOLD Hold Time                 |         |                             | 240                        |                | 240            |                | ns                 |
| $t_{PD}$   | Output Delay                   |         | $C_L = 200$ pF              |                            | 500            |                | 500            | ns                 |
| $t_{DH}$   | Output Hold Time               |         |                             | 0                          |                | 0              |                | ns                 |
| $t_{LZ}$   | HOLD Output Low Z              |         |                             |                            | 240            |                | 240            | ns                 |
| $t_{DF}$   | Output Disable Time            |         | $C_L = 200$ pF              |                            | 500            |                | 500            | ns                 |
| $t_{HZ}$   | HOLD to Output Hi Z            |         |                             |                            | 240            |                | 240            | ns                 |
| $t_{WP}$   | Write Cycle Time               |         | 1-4 Bytes                   |                            | 15             |                | 15             | ms                 |

### Capacitance $T_A = 25^\circ C$ , $f = 2.1/1$ MHz (Note 8)

| Symbol    | Test               | Typ | Max | Units |
|-----------|--------------------|-----|-----|-------|
| $C_{OUT}$ | Output Capacitance | 3   | 8   | pF    |
| $C_{IN}$  | Input Capacitance  | 2   | 6   | pF    |

### AC Test Conditions

|                                    |   |
|------------------------------------|---|
| Output Load                        | $I_{OL} = 10 \mu A$ , $I_{OH} = 10 \mu A$ |
| Input Pulse Levels                 | 0.3V to 3.5V                              |
| Timing Measurement Reference Level |   |
| Input                              | 0.4V and 1.6V                             |
| Output                             | 0.8V and 1.6V                             |

**Note 5:** Stress above those listed under "Absolute Maximum Ratings" may cause permanent damage to the device. This is a stress rating only, and functional operation of the device at these or any other conditions above those indicated in the operational sections of the specification is not implied. Exposure to absolute maximum rating conditions for extended periods may affect device reliability.

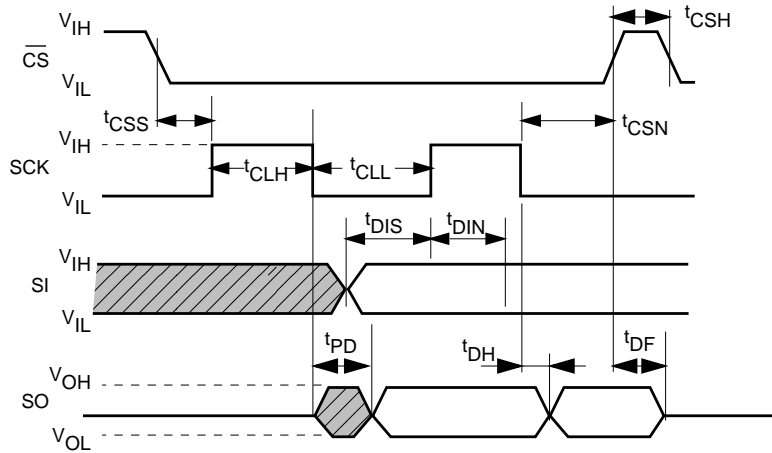
**Note 6:** The  $f_{OP}$  frequency specification specifies a minimum clock period of  $1/f_{OP}$ . Therefore, for every  $f_{OP}$  clock cycle,  $t_{CLH} + t_{CLL}$  must be equal to or greater than  $1/f_{OP}$ . For example, if the 2.1MHz period = 476ns and  $t_{CLH} = 190ns$ ,  $t_{CLL}$  must be 286ns.

**Note 7:**  $\overline{CS}$  must be brought high for a minimum of  $t_{CSH}$  between consecutive instruction cycles.

**Note 8:** This parameter is periodically sampled and not 100% tested.

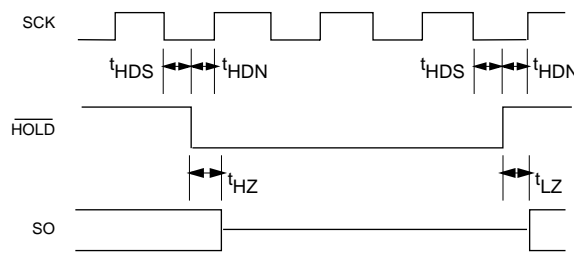
**AC Test Conditions** (Continued)

**FIGURE 1. Synchronous Data Timing Diagram**



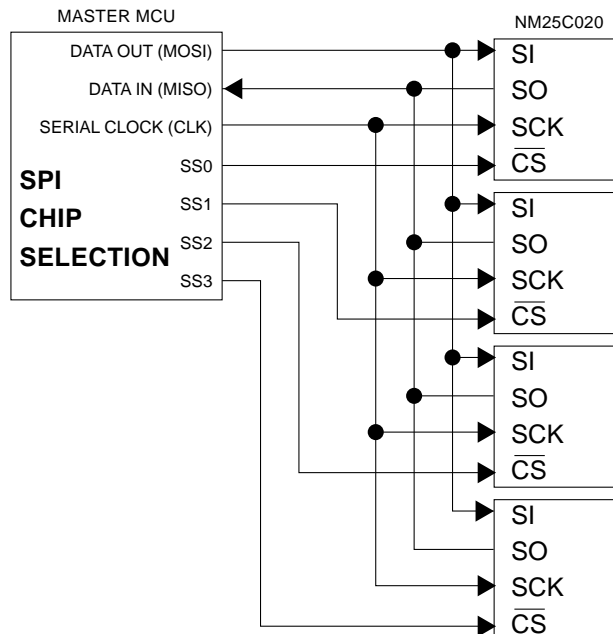
DS012400-3

**FIGURE 2. HOLD Timing**



DS012400-6

**FIGURE 3. SPI Serial Interface**



DS012400-4

## Functional Description

**TABLE 1. Instruction Set**

| Instruction Name | Instruction Opcode | Operation                   |
|------------------|--------------------|-----------------------------|
| WREN             | 00000110           | Set Write Enable Latch      |
| WRDI             | 00000100           | Reset Write Enable Latch    |
| RDSR             | 00000101           | Read Status Register        |
| WRSR             | 00000001           | Write Status Register       |
| READ             | 00000011           | Read Data from Memory Array |
| WRITE            | 00000010           | Write Data to Memory Array  |

**MASTER:** The device that generates the serial clock is designated as the master. The NM25C020 can never function as a master.

**SLAVE:** The NM25C020 always operates as a slave as the serial clock pin is always an input.

**TRANSMITTER/RECEIVER:** The NM25C020 has separate pins for data transmission (SO) and reception (SI).

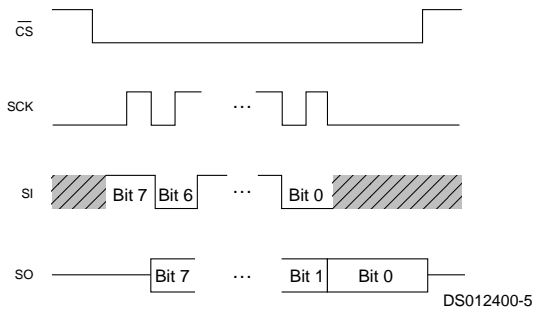
**MSB:** The Most Significant Bit is the first bit transmitted and received.

**CHIP SELECT:** The chip is selected when pin  $\overline{CS}$  is low. When the chip is *not* selected, data will not be accepted from pin SI, and the output pin SO is in high impedance.

**SERIAL OP-CODE:** The first byte transmitted after the chip is selected with CS going low contains the op-code that defines the operation to be performed.

**PROTOCOL:** When connected to the SPI port of a 68HC11 microcontroller, the NM25C020 accepts a clock phase of 0 and a clock polarity of 0. The SPI protocol for this device defines the byte transmitted on the SI and SO data lines for proper chip operation. See Figure 4.

**FIGURE 4. SPI Protocol**

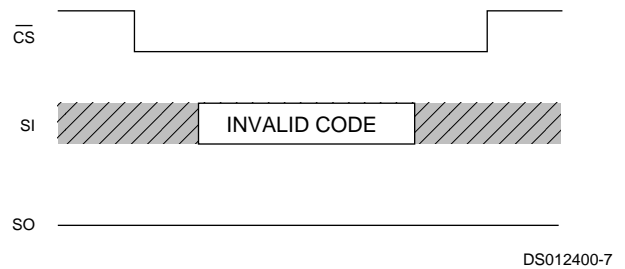


Data is clocked in on the positive SCK edge and out on the negative SCK edge.

**HOLD:** The  $\overline{HOLD}$  pin is used in conjunction with the  $\overline{CS}$  to select the device. Once the device is selected and a serial sequence is underway,  $\overline{HOLD}$  may be forced low to suspend further serial communication with the device without resetting the serial sequence. Note that  $\overline{HOLD}$  must be brought low while the SCK pin is low. The device must remain selected during this sequence. To resume serial communication  $\overline{HOLD}$  is brought high while the SCK pin is low. The SO pin is at a high impedance state during  $\overline{HOLD}$ .

**INVALID OP-CODE:** After an invalid code is received, no data is shifted into the NM25C020, and the SO data output pin remains high impedance until a new  $\overline{CS}$  falling edge reinitializes the serial communication. See Figure 5.

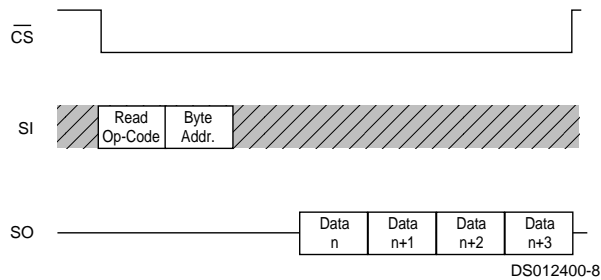
**FIGURE 5. Invalid Op-Code**



## Functional Description (Continued)

**READ SEQUENCE:** Reading the memory via the serial SPI link requires the following sequence. The  $\overline{CS}$  line is pulled low to select the device. The READ op-code is transmitted on the SI line followed by the byte address (A7–A0) to be read. After this is done, data on the SI line becomes don't care. The data (D7–D0) at the address specified is then shifted out on the SO line. If only one byte is to be read, the  $\overline{CS}$  line can be pulled back to the high level. It is possible to continue the READ sequence as the byte address is automatically incremented and data will continue to be shifted out as clock pulses are continuously applied. When the highest address is reached (FF), the address counter rolls over to lowest address (000) allowing the entire memory to be read in one continuous READ cycle. See Figure 6.

**FIGURE 6. Read Sequence**



**READ STATUS REGISTER (RDSR):** The Read Status Register (RDSR) instruction provides access to the status register and is used to interrogate the READY/BUSY and WRITE ENABLE status of the chip. (Two non-volatile status register bits are used to select one of four levels of BLOCK WRITE PROTECTION.) The status register format is shown in Table 2.

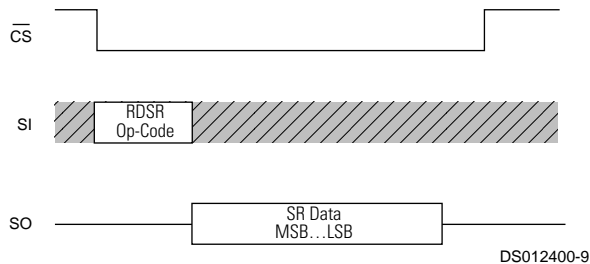
**TABLE 2. Status Register Format**

| Bit 7 | Bit 6 | Bit 5 | Bit 4 | Bit 3 | Bit 2 | Bit 1 | Bit 0 |
|-------|-------|-------|-------|-------|-------|-------|-------|
| X     | X     | X     | X     | BP1   | BP0   | WEN   | RDY   |

X = Don't Care

Status register Bit 0 = 0 ( $\overline{RDY}$ ) indicates that the device is READY; Bit 0 = 1 indicates that a program cycle is in progress. Bit 1 = 0 (WEN) indicates that the device is not WRITE ENABLED; Bit 1 = 1 indicates that the device is WRITE ENABLED. Non-volatile status register Bits 2 and 3 (BP0 and BP1) indicate the level of BLOCK WRITE PROTECTION selected. The block write protection levels and corresponding status register control bits are shown in Table 3. **Note that if a RDSR instruction is executed during a programming cycle only the RDY bit is valid.** All other bits are 1s. See Figure 7.

**FIGURE 7. Read Status**

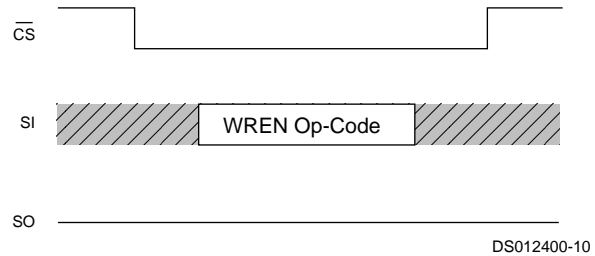


**TABLE 3. Block Write Protection Levels**

| Level | Status Register Bits |     | Array Address Protected |
|-------|----------------------|-----|-------------------------|
|       | BP1                  | BP0 |                         |
| 0     | 0                    | 0   | None                    |
| 1     | 0                    | 1   | C0-FF                   |
| 2     | 1                    | 0   | 80-FF                   |
| 3     | 1                    | 1   | 00-FF                   |

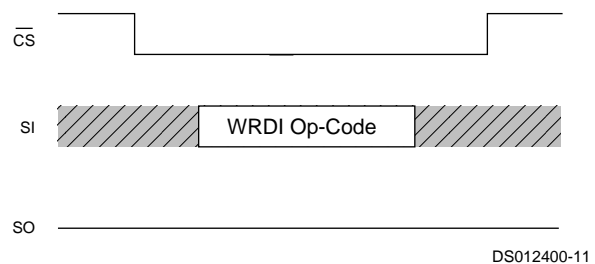
**WRITE ENABLE (WREN):** When  $V_{CC}$  is applied to the chip, it “powers up” in the write disable state. Therefore, all programming modes must be preceded by a WRITE ENABLE (WREN) instruction. **At the completion of a WRITE or WRSR cycle the device is automatically returned to the write disable state.** Note that a WRITE DISABLE (WRDI) instruction will also return the device to the write disable state. See Figure 8.

**FIGURE 8. Write Enable**



**WRITE DISABLE (WRDI):** To protect against accidental data disturbance the WRITE DISABLE (WRDI) instruction disables all programming modes. See Figure 9.

**FIGURE 9. Write Disable**

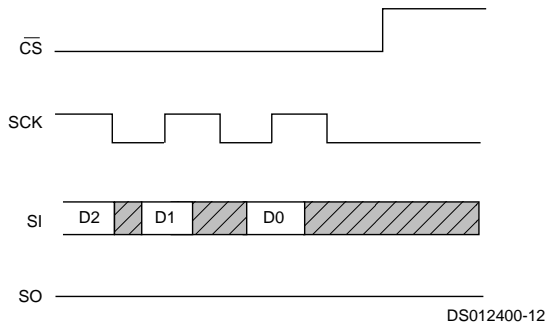


**WRITE SEQUENCE:** To program the device, the **WRITE PROTECT (WP) pin must be held high** and two separate instructions must be executed. The chip must first be write enabled via the WRITE ENABLE instruction and then a WRITE instruction must be executed. Moreover, the address of the memory location(s) to be programmed must be outside the protected address field selected by the Block Write Protection Level. See Table 3.

A WRITE command requires the following sequence. The  $\overline{CS}$  line is pulled low to select the device, then the WRITE op-code is transmitted on the SI line followed by the byte address(A7–A0) and the corresponding data (D7-D0) to be written. **Programming will start after the  $\overline{CS}$  pin is forced back to a high level.** Note that the LOW to HIGH transition of the  $\overline{CS}$  pin must occur during the SCK low time immediately after clocking in the D0 data bit. See Figure 10.

## Functional Description (Continued)

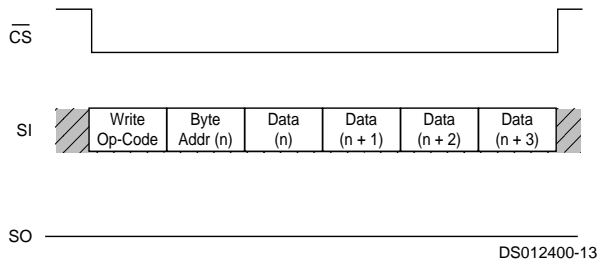
**FIGURE 10. Write Sequence**



The READY/BUSY status of the device can be determined by executing a READ STATUS REGISTER (RDSR) instruction. Bit 0 = 1 indicates that the WRITE cycle is still in progress and Bit 0 = 0 indicates that the WRITE cycle has ended. During the WRITE programming cycle (Bit 0 = 1) only the READ STATUS REGISTER instruction is enabled.

The NM25C020 is capable of a 4 byte PAGE WRITE operation. After receipt of each byte of data the two low order address bits are internally incremented by one. The seven high order bits of the address will remain constant. If the master should transmit more than 4 bytes of data, the address counter will "roll over," and the previously loaded data will be reloaded. See Figure 11.

**FIGURE 11. 4 Byte Page Write**



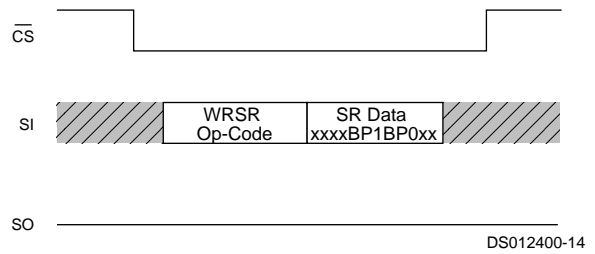
**At the completion of a WRITE cycle the device is automatically returned to the write disable state.**

If the device is not WRITE enabled, the device will ignore the WRITE instruction and return to the standby state when  $\overline{CS}$  is forced high. A new  $\overline{CS}$  falling edge is required to re-initialize the serial communication.

**WRITE STATUS REGISTER (WRSR):** The WRITE STATUS REGISTER (WRSR) instruction is used to program the non-volatile status register Bits 2 and 3 (BP0 and BP1). The WRITE PROTECT ( $\overline{WP}$ ) pin must be held high and two separate instructions must be executed. The chip must first be write enabled via the WRITE ENABLE instruction and then a WRSR instruction must be executed.

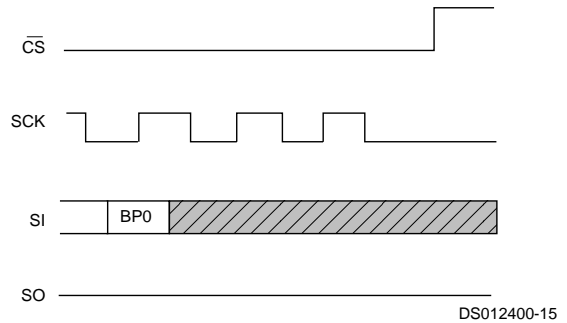
The WRSR command requires the following sequence. The  $\overline{CS}$  line is pulled low to select the device and then the WRSR op-code is transmitted on the SI line followed by the data to be programmed. See Figure 12.

**FIGURE 12. Write Status Register**



Note that the first four bits are don't care bits followed by BP1 and BP0 then two additional don't care bits. Programming will start after the  $\overline{CS}$  pin is forced back to a high level. As in the WRITE instruction the LOW to HIGH transition of the  $\overline{CS}$  pin must occur during the SCK low time immediately after clocking in the last don't care bit. See Figure 13.

**FIGURE 13. Start WRSR Condition**

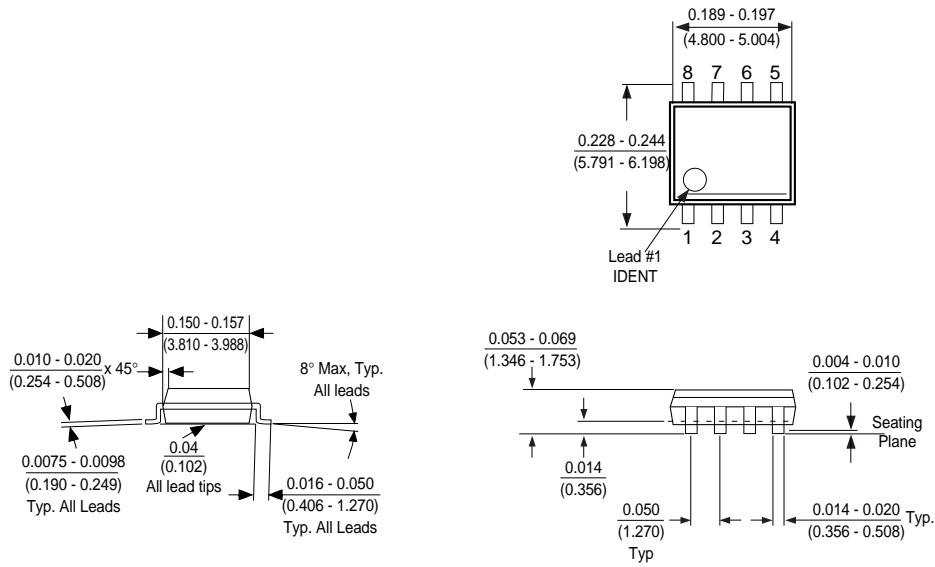


The READY/BUSY status of the device can be determined by executing a READ STATUS REGISTER (RDSR) instruction. Bit 0 = 1 indicates that the WRSR cycle is still in progress and Bit 0 = 0 indicates that the WRSR cycle has ended.

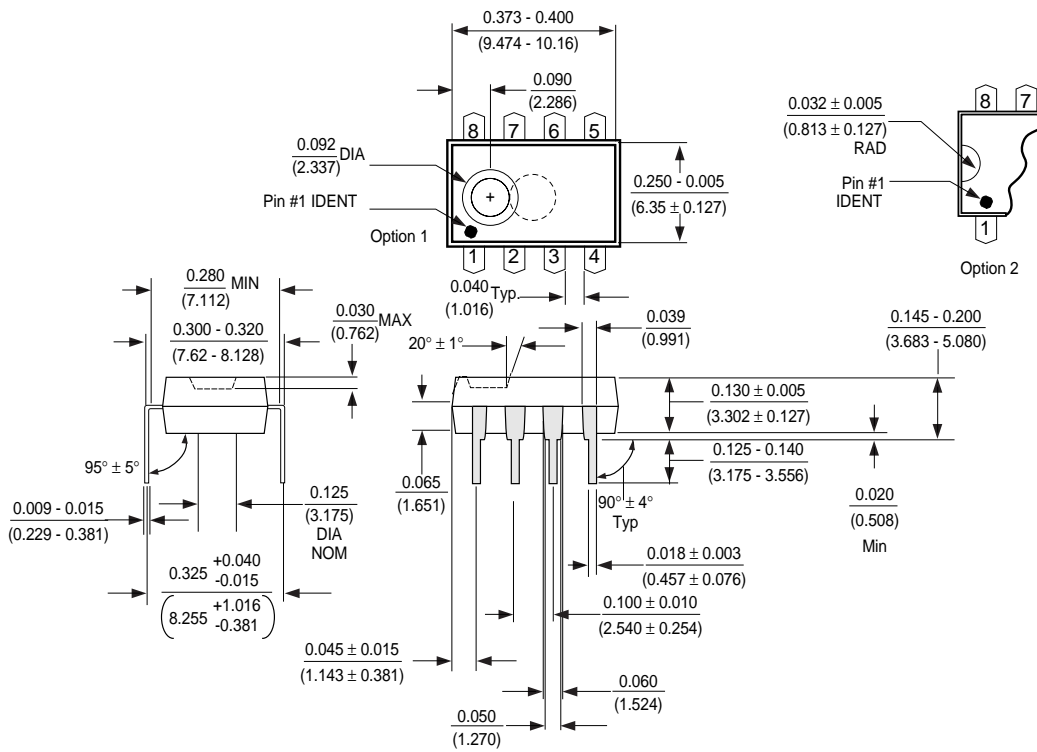
At the completion of a WRITE cycle the device is automatically returned to the write disable state.



**Physical Dimensions** inches (millimeters) unless otherwise noted

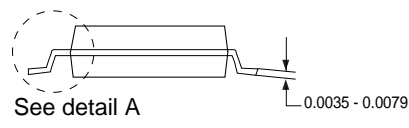
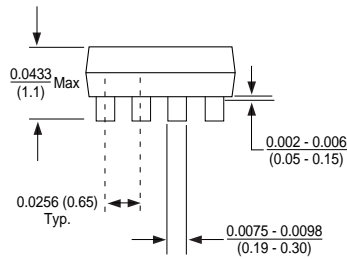
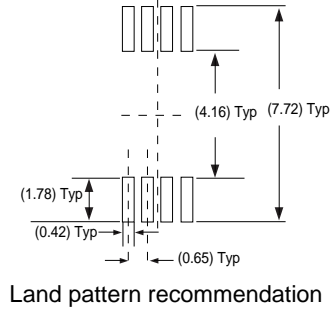
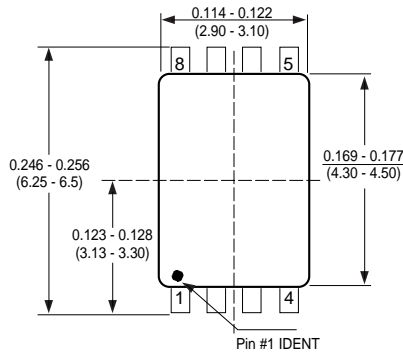


**Molded Small Out-Line Package (M8)**  
**Package Number M08A**

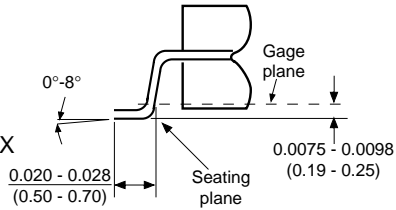


**Molded Dual-In-Line Package (N)**  
**Package Number N08E**

**Physical Dimensions inches (millimeters) unless otherwise noted**



**DETAIL A**  
Typ. Scale: 40X



Notes: Unless otherwise specified

1. Reference JEDEC registration MO153. Variation AA. Dated 7/93

**8-Pin Molded TSSOP, JEDEC (MT8)**  
**Package Number MTC08**

**Life Support Policy**

Fairchild's products are not authorized for use as critical components in life support devices or systems without the express written approval of the President of Fairchild Semiconductor Corporation. As used herein:

1. Life support devices or systems are devices or systems which, (a) are intended for surgical implant into the body, or (b) support or sustain life, and whose failure to perform, when properly used in accordance with instructions for use provided in the labeling, can be reasonably expected to result in a significant injury to the user.
2. A critical component is any component of a life support device or system whose failure to perform can be reasonably expected to cause the failure of the life support device or system, or to affect its safety or effectiveness.

**Fairchild Semiconductor Americas**  
Customer Response Center  
Tel: 1-888-522-5372

**Fairchild Semiconductor Europe**  
Fax: +44 (0) 1793-856858  
Deutsch Tel: +49 (0) 8141-6102-0  
English Tel: +44 (0) 1793-856856  
Français Tel: +33 (0) 1-6930-3696  
Italiano Tel: +39 (0) 2-249111-1

**Fairchild Semiconductor Hong Kong**  
8/F, Room 808, Empire Centre  
68 Mody Road, Tsimshatsui East  
Kowloon, Hong Kong  
Tel: +852-2722-8338  
Fax: +852-2722-8383

**Fairchild Semiconductor Japan Ltd.**  
4F, Natsume Bldg.  
2-18-6, Yushima, Bunkyo-ku  
Tokyo, 113-0034 Japan  
Tel: 81-3-3818-8840  
Fax: 81-3-3818-8841

Fairchild does not assume any responsibility for use of any circuitry described, no circuit patent licenses are implied and Fairchild reserves the right at any time without notice to change said circuitry and specifications.

Fairchild Semiconductor

SEARCH | [Parametric](#) | [Cross Reference](#)

space

Product Folders and

Applies

find products

[Home](#) >> [Find products](#) >>[Products groups](#)[Analog and Mixed](#)[Signal](#)[Discrete](#)[Interface](#)[Logic](#)[Microcontrollers](#)[Non-Volatile](#)[Memory](#)[Optoelectronics](#)[Markets and](#)[applications](#)[New products](#)[Product selection and](#)[parametric search](#)[Cross-reference](#)[search](#)[technical information](#)[buy products](#)[technical support](#)[my Fairchild](#)[company](#)

NM25C020

Product information

Contents

[General description](#) | [Features](#) | [Product status/pricing/packaging](#) | [Application notes](#)

General description

The NM25C020 is a 2048-bit CMOS EEPROM with an SPI compatible serial interface. The NM25C020 is designed for data storage in applications requiring both non-volatile memory and in-system data updates. This EEPROM is well suited for applications using the 68HC11 series of microcontrollers that support the SPI interface for high speed communication with peripheral devices via a serial bus to reduce pin count. The NM25C020 is implemented in Fairchild Semiconductor's floating gate CMOS process that provides superior endurance and data retention.

The serial data transmission of this device requires four signal lines to control the device operation: Chip Select (CS#), Clock (SCK), Data In (SI), and Serial Data Out (SO). All programming cycles are completely self-timed and do not require an erase before WRITE.

BLOCK WRITE protection is provided by programming the STATUS REGISTER with one of four levels of write protection. Additionally, separate WRITE enable and WRITE program disable instructions are provided for data protection.

Hardware data protection is provided by the WP# pin to protect against accidental data changes. The HOLD# pin allows the serial communication to be suspended without resetting the serial sequence.

[back to top](#)

Related Links

[Request samples](#)[Dotted line](#)[How to order products](#)[Dotted line](#)[Product Change Notices](#)[\(PCNs\)](#)[Dotted line](#)[Support](#)[Dotted line](#)[Distributor and field sales](#)[representatives](#)[Dotted line](#)[Quality and reliability](#)[Dotted line](#)[Design tools](#)

Datasheet

[Download this](#)[datasheet](#)

PDF

[e-mail this datasheet](#)

[E-]

This page

[Print version](#)

## Features

- 2.1 MHz clock rate @ 2.7V to 5.5V
- 2048-bits organized as 256 x 8
- Multiple chips on the same 3-wire bus with separate chip select lines
- Self-timed programming cycle
- Simultaneous programming of 1 to 4 bytes at a time
- Status register can be polled during programming to monitor READY/BUSY
- Write Protect (WP#) pin and write disable instruction for both hardware and software write protection
- Block write protect feature to protect against accidental writes
- Endurance: 1,000,000 data changes
- Data retention greater than 40 years
- Packages available: 8-pin DIP, 8-pin SO or 8-pin TSSOP

[back to top](#)

## Product status/pricing/packaging

| Product        | Product status                  | Pricing* | Package type | Leads | Package marking                     | Packing method |
|----------------|---------------------------------|----------|--------------|-------|-------------------------------------|----------------|
| NM25C020DWF    | Not recommended for new designs | N/A      | Wafer        | N/A   | N/A                                 | RAIL           |
| NM25C020LEMT8X | Not recommended for new designs | \$1.06   | TSSOP        | 8     | &2&T<br>\$Y502<br>&Z25C020<br>LEMT8 | TAPE<br>REEL   |
| NM25C020LZEM8  | Not recommended for new designs | \$1.03   | SOIC         | 8     | \$Y&Z&2&T<br>25020<br>LZE           | RAIL           |
| NM25C020VM8    | Not recommended for new designs | \$1.04   | SOIC         | 8     | \$Y&Z&2&T<br>25C02<br>0VM8          | RAIL           |
| NM25C020LEM8   | Not recommended for new designs | \$1.03   | SOIC         | 8     | \$Y&Z&2&T<br>25C02<br>0LE           | RAIL           |
| NM25C020LEMT8  | Not recommended for new designs | \$1.06   | TSSOP        | 8     | &2&T<br>\$Y502<br>&Z25C020<br>LEMT8 | RAIL           |

|                 |                                 |        |       |     |                                   |              |
|-----------------|---------------------------------|--------|-------|-----|-----------------------------------|--------------|
| NM25C020LZEMT8  | Not recommended for new designs | \$1.07 | TSSOP | 8   | &2&T<br>\$Y502<br>&Z25C020<br>LZE | RAIL         |
| NM25C020LN      | Not recommended for new designs | \$1.00 | DIP   | 8   | \$Y&Z&2&T<br>25C020<br>LN         | RAIL         |
| NM25C020VM8X    | Not recommended for new designs | \$1.04 | SOIC  | 8   | \$Y&Z&2&T<br>25C02<br>0VM8        | TAPE<br>REEL |
| NM25C020M8X     | Not recommended for new designs | \$0.97 | SOIC  | 8   | \$Y&Z&2&T<br>25C02<br>0M8         | TAPE<br>REEL |
| NM25C020LEN     | Not recommended for new designs | \$1.03 | DIP   | 8   | \$Y&Z&2&T<br>25C020<br>LEN        | RAIL         |
| NM25C020LZM8X   | Not recommended for new designs | \$1.01 | SOIC  | 8   | \$Y&Z&2&T<br>25C20<br>LZM8        | TAPE<br>REEL |
| NM25C020DICE    | Not recommended for new designs | N/A    | Wafer | N/A | N/A                               | RAIL         |
| NM25C020LZEMT8X | Not recommended for new designs | \$1.07 | TSSOP | 8   | &2&T<br>\$Y502<br>&Z25C020<br>LZE | TAPE<br>REEL |
| NM25C020N       | Not recommended for new designs | \$0.97 | DIP   | 8   | \$Y&Z&2&T<br>25C020<br>N          | RAIL         |
| NM25C020LZM8    | Not recommended for new designs | \$1.01 | SOIC  | 8   | \$Y&Z&2&T<br>25020<br>LZM8        | RAIL         |
| NM25C020LZEM8X  | Not recommended for new designs | \$1.03 | SOIC  | 8   | \$Y&Z&2&T<br>25020<br>LZE         | TAPE<br>REEL |
| NM25C020EM8X    | Not recommended for new designs | \$1.00 | SOIC  | 8   | \$Y&Z&2&T<br>25C02<br>0EM8        | TAPE<br>REEL |
| NM25C020EM8     | Not recommended for new designs | \$1.00 | SOIC  | 8   | \$Y&Z&2&T<br>25C02<br>0EM8        | RAIL         |
| NM25C020M8      | Not recommended for new designs | \$0.97 | SOIC  | 8   | \$Y&Z&2&T<br>25C02<br>0M8         | RAIL         |
| NM25C020LVM8    | Not recommended for new designs | \$1.06 | SOIC  | 8   | \$Y&Z&2&T<br>25020<br>LVM8        | RAIL         |
| NM25C020LM8X    | Not recommended for new designs | \$1.00 | SOIC  | 8   | \$Y&Z&2&T<br>25C02<br>0LM8        | TAPE<br>REEL |

|               |                                 |        |      |   |                            |              |
|---------------|---------------------------------|--------|------|---|----------------------------|--------------|
| NM25C020LM8   | Not recommended for new designs | \$1.00 | SOIC | 8 | \$Y&Z&2&T<br>25C02<br>0LM8 | RAIL         |
| NM25C020LEM8X | Not recommended for new designs | \$1.03 | SOIC | 8 | \$Y&Z&2&T<br>25C02<br>0LE  | TAPE<br>REEL |
| NM25C020EN    | Not recommended for new designs | \$1.00 | DIP  | 8 | \$Y&Z&2&T<br>25C020<br>EN  | RAIL         |

\* 1,000 piece Budgetary Pricing

[back to top](#)

Application notes

[AN-860: AN-860 Protecting Data in Serial EEPROMS](#) (28 K) Jul 19, 2002

[back to top](#)

[Home](#) | [Find products](#) | [Technical information](#) | [Buy products](#) | [Support](#) | [Company](#) | [Contact us](#) | [Site index](#) | [Privacy policy](#)

© Copyright 2002 Fairchild Semiconductor