

NUMERIC SEGMENTED DISPLAYS

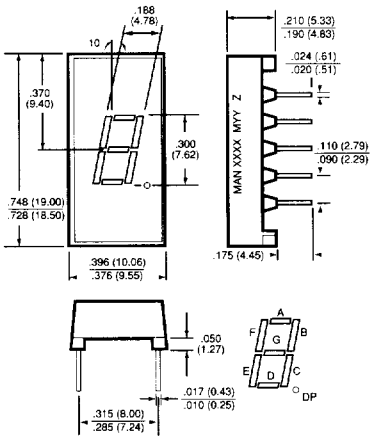
0.3" Displays											
	Part Number	Description	Source Color	Wave-length λ (nm)	Segment Color	Face Color	Forward Voltage V_F (V)		Luminous Intensity I_V (μ cd)		
							typ	max	min	typ	
	MAN73A	Common Anode; Polarity & Overflow		660	Red Diffused Red Diffused	Black	1.6	2.0	125	350	
	MAN3630A	Common Anode; Polarity & Overflow		630	Orange Diffused	Orange	2.2	3.5	510	1800	

	Part Number	Notes
<p style="text-align: center;">MAN73A, MAN3630A</p>	MAN73A	5, 24
	MAN3630A	5, 24

Notes:

- 5. $V_F @ I_F = 20 \text{ mA}$, $I_V @ I_F = 10 \text{ mA}$
- 24. MANXXX represents the product part number, MYY is the date code, Z refers to the light intensity category for the product.
HER = High Efficiency Red

0.3" Displays										
Part Number	Description	Source Color	Wave-length λ (nm)	Segment Color	Face Color	Forward Voltage V_F (V)		Luminous Intensity I_V (μ cd)		
						typ	max	min	typ	
MAN78A	Common Cathode; RHDP; 10-Pin		660	Red Diffused	Black	1.6	2.0	125	350	
MAN3980A	Common Cathode; RHDP; 10-Pin		635	Red Diffused	Red	2.2	2.5	450	1900	
MAN3480A	Common Cathode; RHDP; 10-Pin		562	White Diffused	Grey	2.2	3.0	750	3200	
MAN3680A	Common Cathode; RHDP; 10-Pin		630	Orange Diffused	Orange	2.2	2.5	510	1800	
MAN3880A	Common Cathode; RHDP; 10-Pin	Yellow	585	White Diffused	Grey	2.1	3.0	450	1700	



 MAN78A, MAN3980A		Part Number	Notes
		MAN78A	5, 24
		MAN3980A	5, 24
		MAN3480A	5, 24
		MAN3680A	5, 24
		MAN3880A	5, 24