

# MC14024B

## 7-Stage Ripple Counter

The MC14024B is a 7-stage ripple counter with short propagation delays and high maximum clock rates. The Reset input has standard noise immunity, however the Clock input has increased noise immunity due to Hysteresis. The output of each counter stage is buffered.

### Features

- Diode Protection on All Inputs
- Output Transitions Occur on the Falling Edge of the Clock Pulse
- Supply Voltage Range = 3.0 Vdc to 18 Vdc
- Capable of Driving Two Low-power TTL Loads or One Low-power Schottky TTL Load Over the Rated Temperature Range
- Pin-for-Pin Replacement for CD4024B
- NLV Prefix for Automotive and Other Applications Requiring Unique Site and Control Change Requirements; AEC-Q100 Qualified and PPAP Capable
- This Device is Pb-Free and is RoHS Compliant

### MAXIMUM RATINGS (Voltages Referenced to $V_{SS}$ )

| Symbol            | Parameter   | Value                  | Unit               |
|-------------------|---|------------------------|--------------------|
| $V_{DD}$          | DC Supply Voltage Range                           | -0.5 to +18.0          | V                  |
| $V_{in}, V_{out}$ | Input or Output Voltage Range (DC or Transient)   | -0.5 to $V_{DD} + 0.5$ | V                  |
| $I_{in}, I_{out}$ | Input or Output Current (DC or Transient) per Pin | $\pm 10$               | mA                 |
| $P_D$             | Power Dissipation, per Package (Note 1)           | 500                    | mW                 |
| $T_A$             | Ambient Temperature Range                         | -55 to +125            | $^{\circ}\text{C}$ |
| $T_{stg}$         | Storage Temperature Range                         | -65 to +150            | $^{\circ}\text{C}$ |
| $T_L$             | Lead Temperature (8-Second Soldering)             | 260                    | $^{\circ}\text{C}$ |

Stresses exceeding those listed in the Maximum Ratings table may damage the device. If any of these limits are exceeded, device functionality should not be assumed, damage may occur and reliability may be affected.

1. Temperature Derating: "D/DW" Packages: -7.0 mW/ $^{\circ}\text{C}$  From 65 $^{\circ}\text{C}$  To 125 $^{\circ}\text{C}$

This device contains protection circuitry to guard against damage due to high static voltages or electric fields. However, precautions must be taken to avoid applications of any voltage higher than maximum rated voltages to this high-impedance circuit. For proper operation,  $V_{in}$  and  $V_{out}$  should be constrained to the range  $V_{SS} \leq (V_{in} \text{ or } V_{out}) \leq V_{DD}$ .

Unused inputs must always be tied to an appropriate logic voltage level (e.g., either  $V_{SS}$  or  $V_{DD}$ ). Unused outputs must be left open.



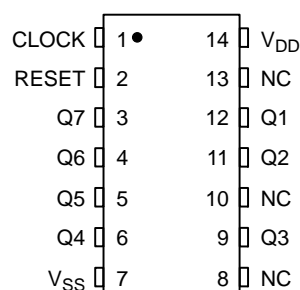
ON Semiconductor®

<http://onsemi.com>



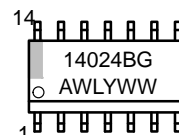
SOIC-14  
D SUFFIX  
CASE 751A

### PIN ASSIGNMENT



$V_{DD}$  = PIN 14  
 $V_{SS}$  = PIN 7  
NC = NO CONNECTION

### MARKING DIAGRAM



A = Assembly Location  
WL, L = Wafer Lot  
YY, Y = Year  
WW, W = Work Week  
G = Pb-Free Package

### ORDERING INFORMATION

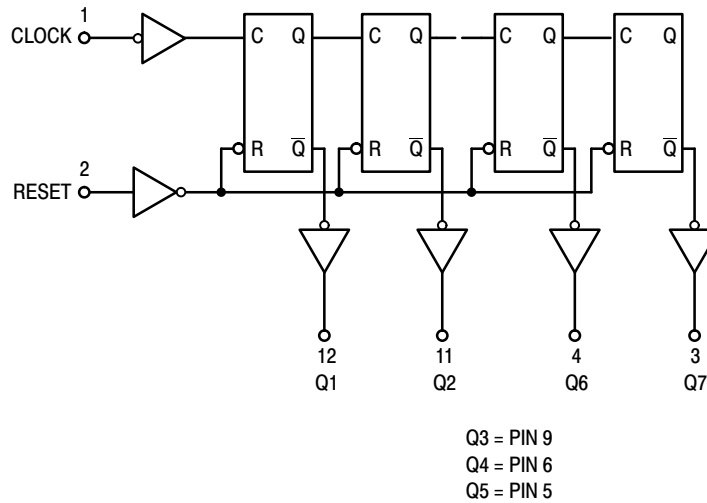
See detailed ordering and shipping information in the package dimensions section on page 2 of this data sheet.

# MC14024B

## TRUTH TABLE

| Clock | Reset | State             |
|-------|-------|-------------------|
| 0     | 0     | No Change         |
| 0     | 1     | All Outputs Low   |
| 1     | 0     | No Change         |
| 1     | 1     | All Outputs Low   |
| ↗     | 0     | No Change         |
| ↗     | 1     | All Outputs Low   |
| ↘     | 0     | Advance One Count |
| ↘     | 1     | All Outputs Low   |

## LOGIC DIAGRAM



## ORDERING INFORMATION

| Device         | Package              | Shipping <sup>†</sup> |
|----------------|----------------------|-----------------------|
| MC14024BDG     | SOIC-14<br>(Pb-Free) | 55 Units / Rail       |
| NLV14024BDG*   | SOIC-14<br>(Pb-Free) | 55 Units / Rail       |
| MC14024BDR2G   | SOIC-14<br>(Pb-Free) | 2500 / Tape & Reel    |
| NLV14024BDR2G* | SOIC-14<br>(Pb-Free) | 2500 / Tape & Reel    |

<sup>†</sup>For information on tape and reel specifications, including part orientation and tape sizes, please refer to our Tape and Reel Packaging Specifications Brochure, BRD8011/D.

\*NLV Prefix for Automotive and Other Applications Requiring Unique Site and Control Change Requirements; AEC-Q100 Qualified and PPAP Capable.

# MC14024B

## ELECTRICAL CHARACTERISTICS (Voltages Referenced to V<sub>SS</sub>)

| Characteristic  | Symbol                       | V <sub>DD</sub><br>Vdc | -55°C  |      | 25°C  |                 |      | 125°C |      | Unit |
|---|------------------------------|------------------------|--|------|-------|-----------------|------|-------|------|------|
|   |                              |                        | Min  | Max  | Min   | Typ<br>(Note 2) | Max  | Min   | Max  |      |
| Output Voltage<br>V <sub>in</sub> = V <sub>DD</sub> or 0  | "0" Level<br>V <sub>OL</sub> | 5.0                    | -  | 0.05 | -     | 0               | 0.05 | -     | 0.05 | Vdc  |
|   |                              | 10                     | -  | 0.05 | -     | 0               | 0.05 | -     | 0.05 |      |
| 15  |                              | -                      | 0.05   | -    | 0     | 0.05            | -    | 0.05  |      |      |
| V <sub>in</sub> = 0 or V <sub>DD</sub>  | "1" Level<br>V <sub>OH</sub> | 5.0                    | 4.95   | -    | 4.95  | 5.0             | -    | 4.95  | -    | Vdc  |
|   |                              | 10                     | 9.95   | -    | 9.95  | 10              | -    | 9.95  | -    |      |
|   |                              | 15                     | 14.95  | -    | 14.95 | 15              | -    | 14.95 | -    |      |
| Input Voltage<br>(V <sub>O</sub> = 4.5 or 0.5 Vdc)<br>(V <sub>O</sub> = 9.0 or 1.0 Vdc)<br>(V <sub>O</sub> = 13.5 or 1.5 Vdc)                       | "0" Level<br>V <sub>IL</sub> | 5.0                    | -  | 1.5  | -     | 2.25            | 1.5  | -     | 1.5  | Vdc  |
|   |                              | 10                     | -  | 3.0  | -     | 4.50            | 3.0  | -     | 3.0  |      |
| 15  |                              | -                      | 4.0  | -    | 6.75  | 4.0             | -    | 4.0   |      |      |
| (V <sub>O</sub> = 0.5 or 4.5 Vdc)<br>(V <sub>O</sub> = 1.0 or 9.0 Vdc)<br>(V <sub>O</sub> = 1.5 or 13.5 Vdc)  | "1" Level<br>V <sub>IH</sub> | 5.0                    | 3.5  | -    | 3.5   | 2.75            | -    | 3.5   | -    | Vdc  |
|   |                              | 10                     | 7.0  | -    | 7.0   | 5.50            | -    | 7.0   | -    |      |
|   |                              | 15                     | 11   | -    | 11    | 8.25            | -    | 11    | -    |      |
| Output Drive Current<br>(V <sub>OH</sub> = 2.5 Vdc)<br>(V <sub>OH</sub> = 4.6 Vdc)<br>(V <sub>OH</sub> = 9.5 Vdc)<br>(V <sub>OH</sub> = 13.5 Vdc)   | Source<br>I <sub>OH</sub>    | 5.0                    | -3.0   | -    | -2.4  | -4.2            | -    | -1.7  | -    | mAdc |
|   |                              | 5.0                    | -0.64  | -    | -0.51 | -0.88           | -    | -0.36 | -    |      |
| 10  |                              | -1.6                   | -  | -1.3 | -2.25 | -               | -0.9 | -     |      |      |
| 15  |                              | -4.2                   | -  | -3.4 | -8.8  | -               | -2.4 | -     |      |      |
| (V <sub>OL</sub> = 0.4 Vdc)<br>(V <sub>OL</sub> = 0.5 Vdc)<br>(V <sub>OL</sub> = 1.5 Vdc)   | Sink<br>I <sub>OL</sub>      | 5.0                    | 0.64   | -    | 0.51  | 0.88            | -    | 0.36  | -    | mAdc |
|   |                              | 10                     | 1.6  | -    | 1.3   | 2.25            | -    | 0.9   | -    |      |
|   |                              | 15                     | 4.2  | -    | 3.4   | 8.8             | -    | 2.4   | -    |      |
| Input Current   | I <sub>in</sub>              | 15                     | -  | ±0.1 | -     | ±0.00001        | ±0.1 | -     | ±1.0 | μAdc |
| Input Capacitance<br>(V <sub>in</sub> = 0)  | C <sub>in</sub>              | -                      | -  | -    | -     | 5.0             | 7.5  | -     | -    | pF   |
| Quiescent Current<br>(Per Package)  | I <sub>DD</sub>              | 5.0                    | -  | 5.0  | -     | 0.005           | 5.0  | -     | 150  | μAdc |
|   |                              | 10                     | -  | 10   | -     | 0.010           | 10   | -     | 300  |      |
|   |                              | 15                     | -  | 20   | -     | 0.015           | 20   | -     | 600  |      |
| Total Supply Current (Notes 3 & 4)<br>(Dynamic plus Quiescent,<br>Per Package)<br>(C <sub>L</sub> = 50 pF on all outputs, all<br>buffers switching) | I <sub>T</sub>               | 5.0                    | I <sub>T</sub> = (0.31 μA/kHz) f + I <sub>DD</sub><br>I <sub>T</sub> = (0.60 μA/kHz) f + I <sub>DD</sub><br>I <sub>T</sub> = (1.89 μA/kHz) f + I <sub>DD</sub> |      |       |                 |      |       |      | μAdc |

Product parametric performance is indicated in the Electrical Characteristics for the listed test conditions, unless otherwise noted. Product performance may not be indicated by the Electrical Characteristics if operated under different conditions.

2. Data labelled "Typ" is not to be used for design purposes but is intended as an indication of the IC's potential performance.

3. The formulas given are for the typical characteristics only at 25°C.

4. To calculate total supply current at loads other than 50 pF:

$$I_T(C_L) = I_T(50 \text{ pF}) + (C_L - 50) Vfk$$

where: I<sub>T</sub> is in μA (per package), C<sub>L</sub> in pF, V = (V<sub>DD</sub> - V<sub>SS</sub>) in volts, f in kHz is input frequency, and k = 0.001.

# MC14024B

## SWITCHING CHARACTERISTICS (Note 5) ( $C_L = 50 \text{ pF}$ , $T_A = 25^\circ\text{C}$ )

| Characteristic  | Symbol                  | $V_{DD}$  | Min   | Typ<br>(Note 6)  | Max  | Unit                     |
|---|-------------------------|---|---|--|--|--------------------------|
| Output Rise and Fall Time<br>$t_{TLH}, t_{THL} = (1.5 \text{ ns/pF}) C_L + 25 \text{ ns}$<br>$t_{TLH}, t_{THL} = (0.75 \text{ ns/pF}) C_L + 12.5 \text{ ns}$<br>$t_{TLH}, t_{THL} = (0.55 \text{ ns/pF}) C_L + 9.5 \text{ ns}$  | $t_{TLH},$<br>$t_{THL}$ | 5.0<br>10<br>15   | –<br>–<br>–                                       | 100<br>50<br>40  | 200<br>100<br>80   | ns                       |
| Propagation Delay Time<br>Clock to Q1<br>$t_{PLH}, t_{PHL} = (1.7 \text{ ns/pF}) C_L + 295 \text{ ns}$<br>$t_{PLH}, t_{PHL} = (0.66 \text{ ns/pF}) C_L + 117 \text{ ns}$<br>$t_{PLH}, t_{PHL} = (0.5 \text{ ns/pF}) C_L + 85 \text{ ns}$<br>Clock to Q7<br>$t_{PLH}, t_{PHL} = (1.7 \text{ ns/pF}) C_L + 915 \text{ ns}$<br>$t_{PLH}, t_{PHL} = (0.66 \text{ ns/pF}) C_L + 367 \text{ ns}$<br>$t_{PLH}, t_{PHL} = (0.5 \text{ ns/pF}) C_L + 275 \text{ ns}$<br>Reset to $Q_n$<br>$t_{PLH}, t_{PHL} = (1.7 \text{ ns/pF}) C_L + 415 \text{ ns}$<br>$t_{PLH}, t_{PHL} = (0.66 \text{ ns/pF}) C_L + 217 \text{ ns}$<br>$t_{PLH}, t_{PHL} = (0.5 \text{ ns/pF}) C_L + 155 \text{ ns}$ | $t_{PLH},$<br>$t_{PHL}$ | 5.0<br>10<br>15<br><br>5.0<br>10<br>15<br><br>5.0<br>10<br>15 | –<br>–<br>–<br><br>–<br>–<br>–<br><br>–<br>–<br>– | 380<br>150<br>110<br><br>1000<br>400<br>300<br><br>500<br>250<br>180 | 600<br>230<br>175<br><br>2000<br>750<br>565<br><br>800<br>400<br>300 | ns                       |
| Clock Pulse Width   | $t_{WH}$                | 5.0<br>10<br>15   | 500<br>165<br>125                                 | 200<br>60<br>40  | –<br>–<br>–  | ns                       |
| Reset Pulse Width   | $t_{WH}$                | 5.0<br>10<br>15   | 600<br>350<br>260                                 | 375<br>200<br>150  | –<br>–<br>–  | ns                       |
| Reset Removal Time  | $t_{rem}$               | 5.0<br>10<br>15   | 625<br>190<br>145                                 | 250<br>75<br>50  | –<br>–<br>–  | ns                       |
| Clock Input Rise and Fall Time  | $t_{TLH}, t_{THL}$      | 5.0<br>10<br>15   | –<br>–<br>–                                       | –<br>–<br>–  | 1.0<br>8.0<br>200  | s<br>ms<br>$\mu\text{s}$ |
| Input Pulse Frequency   | $f_{cl}$                | 5.0<br>10<br>15   | –<br>–<br>–                                       | 2.5<br>8.0<br>12   | 1.0<br>3.0<br>4.0  | MHz                      |

5. The formulas given are for the typical characteristics only at  $25^\circ\text{C}$ .

6. Data labelled "Typ" is not to be used for design purposes but is intended as an indication of the IC's potential performance.

# MC14024B

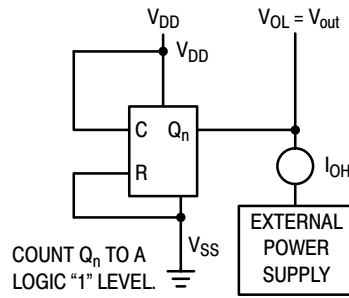


Figure 1. Typical Output Source Characteristics Test Circuit

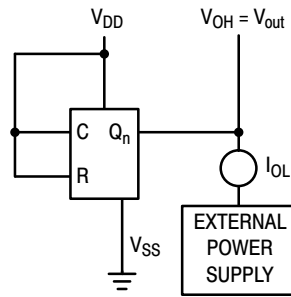


Figure 2. Typical Output Sink Characteristics Test Circuit

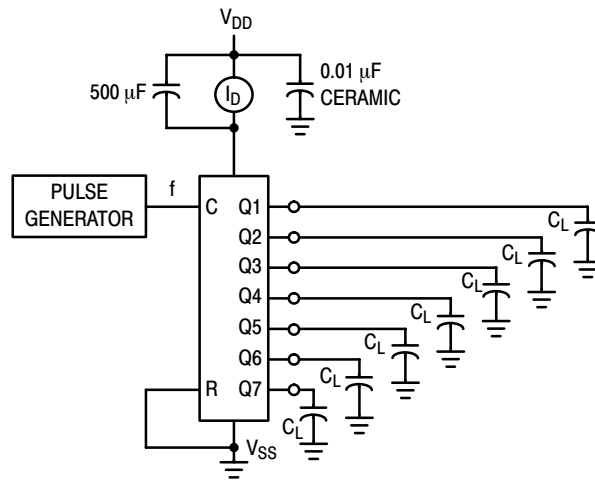


Figure 3. Power Dissipation Test Circuit

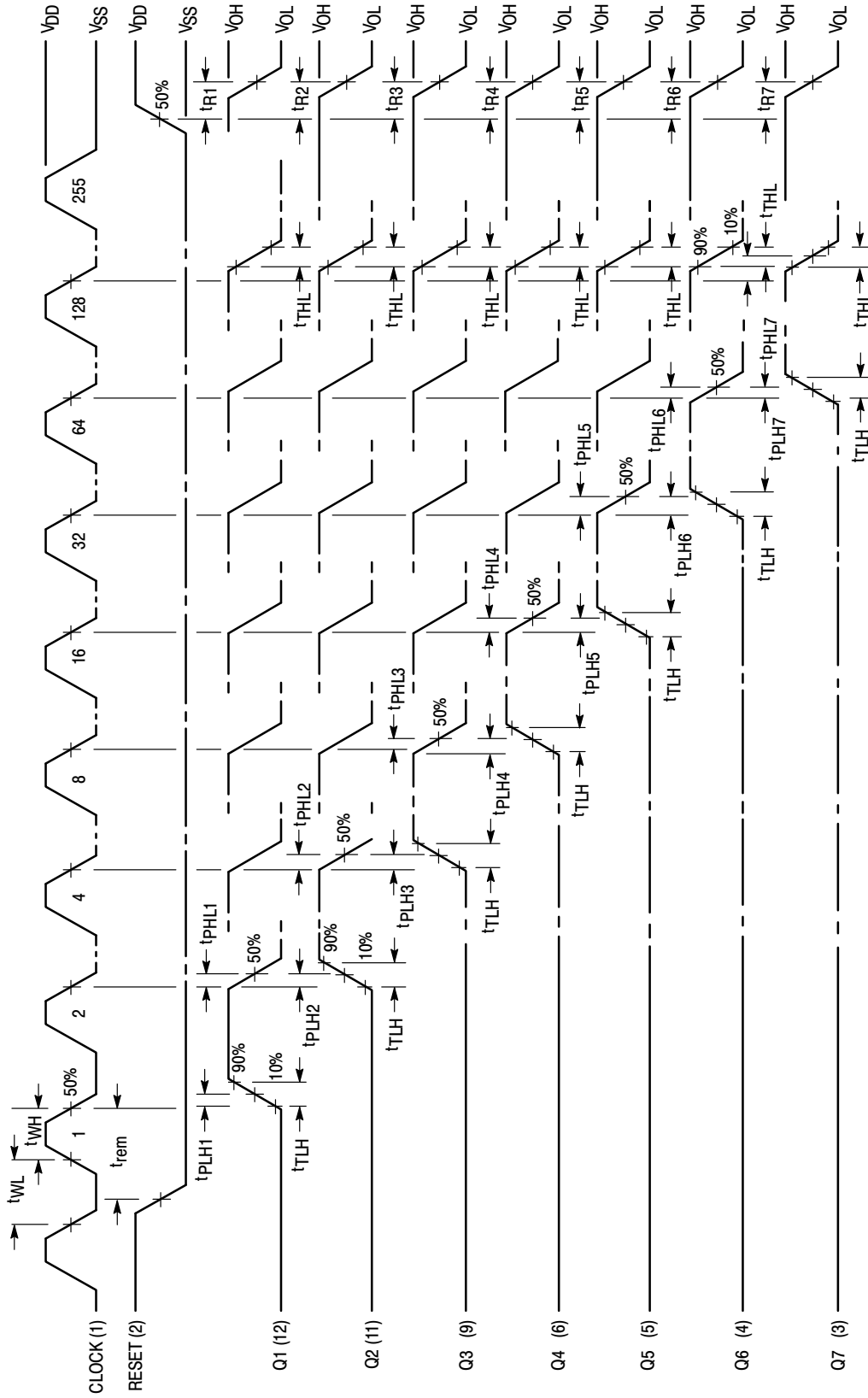
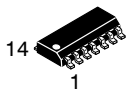


Figure 4. Functional Waveforms

Input  $t_{TLH}$  and  $t_{THL}$  = 20 ns

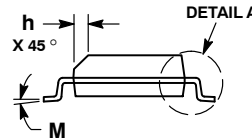
# MECHANICAL CASE OUTLINE PACKAGE DIMENSIONS



SCALE 1:1

SOIC-14 NB  
CASE 751A-03  
ISSUE L

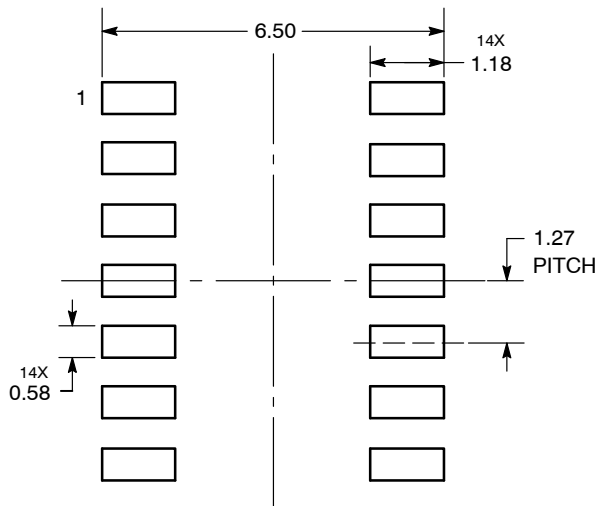
DATE 03 FEB 2016



- NOTES:
1. DIMENSIONING AND TOLERANCING PER ASME Y14.5M, 1994.
  2. CONTROLLING DIMENSION: MILLIMETERS.
  3. DIMENSION b DOES NOT INCLUDE DAMBAR PROTRUSION. ALLOWABLE PROTRUSION SHALL BE 0.13 TOTAL IN EXCESS OF AT MAXIMUM MATERIAL CONDITION.
  4. DIMENSIONS D AND E DO NOT INCLUDE MOLD PROTRUSIONS.
  5. MAXIMUM MOLD PROTRUSION 0.15 PER SIDE.

| DIM | MILLIMETERS |      | INCHES    |       |
|-----|-------------|------|-----------|-------|
|     | MIN         | MAX  | MIN       | MAX   |
| A   | 1.35        | 1.75 | 0.054     | 0.068 |
| A1  | 0.10        | 0.25 | 0.004     | 0.010 |
| A3  | 0.19        | 0.25 | 0.008     | 0.010 |
| b   | 0.35        | 0.49 | 0.014     | 0.019 |
| D   | 8.55        | 8.75 | 0.337     | 0.344 |
| E   | 3.80        | 4.00 | 0.150     | 0.157 |
| e   | 1.27 BSC    |      | 0.050 BSC |       |
| H   | 5.80        | 6.20 | 0.228     | 0.244 |
| h   | 0.25        | 0.50 | 0.010     | 0.019 |
| L   | 0.40        | 1.25 | 0.016     | 0.049 |
| M   | 0°          | 7°   | 0°        | 7°    |

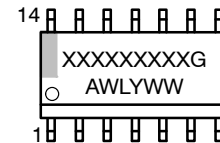
### SOLDERING FOOTPRINT\*



DIMENSIONS: MILLIMETERS

\*For additional information on our Pb-Free strategy and soldering details, please download the ON Semiconductor Soldering and Mounting Techniques Reference Manual, SOLDERRM/D.

### GENERIC MARKING DIAGRAM\*



- XXXXXX = Specific Device Code
- A = Assembly Location
- WL = Wafer Lot
- Y = Year
- WW = Work Week
- G = Pb-Free Package

\*This information is generic. Please refer to device data sheet for actual part marking. Pb-Free indicator, "G" or microdot "▪", may or may not be present. Some products may not follow the Generic Marking.

STYLES ON PAGE 2

|                  |             |  |
|------------------|-------------|--|
| DOCUMENT NUMBER: | 98ASB42565B | Electronic versions are uncontrolled except when accessed directly from the Document Repository. Printed versions are uncontrolled except when stamped "CONTROLLED COPY" in red. |
| DESCRIPTION:     | SOIC-14 NB  | PAGE 1 OF 2  |

onsemi and onsemi are trademarks of Semiconductor Components Industries, LLC dba onsemi or its subsidiaries in the United States and/or other countries. onsemi reserves the right to make changes without further notice to any products herein. onsemi makes no warranty, representation or guarantee regarding the suitability of its products for any particular purpose, nor does onsemi assume any liability arising out of the application or use of any product or circuit, and specifically disclaims any and all liability, including without limitation special, consequential or incidental damages. onsemi does not convey any license under its patent rights nor the rights of others.

**SOIC-14**  
**CASE 751A-03**  
**ISSUE L**

DATE 03 FEB 2016

STYLE 1:  
 PIN 1. COMMON CATHODE  
 2. ANODE/CATHODE  
 3. ANODE/CATHODE  
 4. NO CONNECTION  
 5. ANODE/CATHODE  
 6. NO CONNECTION  
 7. ANODE/CATHODE  
 8. ANODE/CATHODE  
 9. ANODE/CATHODE  
 10. NO CONNECTION  
 11. ANODE/CATHODE  
 12. ANODE/CATHODE  
 13. NO CONNECTION  
 14. COMMON ANODE

STYLE 2:  
 CANCELLED

STYLE 3:  
 PIN 1. NO CONNECTION  
 2. ANODE  
 3. ANODE  
 4. NO CONNECTION  
 5. ANODE  
 6. NO CONNECTION  
 7. ANODE  
 8. ANODE  
 9. ANODE  
 10. NO CONNECTION  
 11. ANODE  
 12. ANODE  
 13. NO CONNECTION  
 14. COMMON CATHODE

STYLE 4:  
 PIN 1. NO CONNECTION  
 2. CATHODE  
 3. CATHODE  
 4. NO CONNECTION  
 5. CATHODE  
 6. NO CONNECTION  
 7. CATHODE  
 8. CATHODE  
 9. CATHODE  
 10. NO CONNECTION  
 11. CATHODE  
 12. CATHODE  
 13. NO CONNECTION  
 14. COMMON ANODE

STYLE 5:  
 PIN 1. COMMON CATHODE  
 2. ANODE/CATHODE  
 3. ANODE/CATHODE  
 4. ANODE/CATHODE  
 5. ANODE/CATHODE  
 6. NO CONNECTION  
 7. COMMON ANODE  
 8. COMMON CATHODE  
 9. ANODE/CATHODE  
 10. ANODE/CATHODE  
 11. ANODE/CATHODE  
 12. ANODE/CATHODE  
 13. NO CONNECTION  
 14. COMMON ANODE

STYLE 6:  
 PIN 1. CATHODE  
 2. CATHODE  
 3. CATHODE  
 4. CATHODE  
 5. CATHODE  
 6. CATHODE  
 7. CATHODE  
 8. ANODE  
 9. ANODE  
 10. ANODE  
 11. ANODE  
 12. ANODE  
 13. ANODE  
 14. ANODE

STYLE 7:  
 PIN 1. ANODE/CATHODE  
 2. COMMON ANODE  
 3. COMMON CATHODE  
 4. ANODE/CATHODE  
 5. ANODE/CATHODE  
 6. ANODE/CATHODE  
 7. ANODE/CATHODE  
 8. ANODE/CATHODE  
 9. ANODE/CATHODE  
 10. ANODE/CATHODE  
 11. COMMON CATHODE  
 12. COMMON ANODE  
 13. ANODE/CATHODE  
 14. ANODE/CATHODE

STYLE 8:  
 PIN 1. COMMON CATHODE  
 2. ANODE/CATHODE  
 3. ANODE/CATHODE  
 4. NO CONNECTION  
 5. ANODE/CATHODE  
 6. ANODE/CATHODE  
 7. COMMON ANODE  
 8. COMMON ANODE  
 9. ANODE/CATHODE  
 10. ANODE/CATHODE  
 11. NO CONNECTION  
 12. ANODE/CATHODE  
 13. ANODE/CATHODE  
 14. COMMON CATHODE

|                         |                    |   |
|-------------------------|--------------------|---|
| <b>DOCUMENT NUMBER:</b> | <b>98ASB42565B</b> | Electronic versions are uncontrolled except when accessed directly from the Document Repository.<br>Printed versions are uncontrolled except when stamped "CONTROLLED COPY" in red. |
| <b>DESCRIPTION:</b>     | <b>SOIC-14 NB</b>  | <b>PAGE 2 OF 2</b>  |

**onsemi** and **ONSEMI** are trademarks of Semiconductor Components Industries, LLC dba **onsemi** or its subsidiaries in the United States and/or other countries. **onsemi** reserves the right to make changes without further notice to any products herein. **onsemi** makes no warranty, representation or guarantee regarding the suitability of its products for any particular purpose, nor does **onsemi** assume any liability arising out of the application or use of any product or circuit, and specifically disclaims any and all liability, including without limitation special, consequential or incidental damages. **onsemi** does not convey any license under its patent rights nor the rights of others.



**onsemi**, **Onsemi**, and other names, marks, and brands are registered and/or common law trademarks of Semiconductor Components Industries, LLC dba "**onsemi**" or its affiliates and/or subsidiaries in the United States and/or other countries. **onsemi** owns the rights to a number of patents, trademarks, copyrights, trade secrets, and other intellectual property. A listing of **onsemi**'s product/patent coverage may be accessed at [www.onsemi.com/site/pdf/Patent-Marking.pdf](http://www.onsemi.com/site/pdf/Patent-Marking.pdf). **onsemi** reserves the right to make changes at any time to any products or information herein, without notice. The information herein is provided "as-is" and **onsemi** makes no warranty, representation or guarantee regarding the accuracy of the information, product features, availability, functionality, or suitability of its products for any particular purpose, nor does **onsemi** assume any liability arising out of the application or use of any product or circuit, and specifically disclaims any and all liability, including without limitation special, consequential or incidental damages. Buyer is responsible for its products and applications using **onsemi** products, including compliance with all laws, regulations and safety requirements or standards, regardless of any support or applications information provided by **onsemi**. "Typical" parameters which may be provided in **onsemi** data sheets and/or specifications can and do vary in different applications and actual performance may vary over time. All operating parameters, including "Typicals" must be validated for each customer application by customer's technical experts. **onsemi** does not convey any license under any of its intellectual property rights nor the rights of others. **onsemi** products are not designed, intended, or authorized for use as a critical component in life support systems or any FDA Class 3 medical devices or medical devices with a same or similar classification in a foreign jurisdiction or any devices intended for implantation in the human body. Should Buyer purchase or use **onsemi** products for any such unintended or unauthorized application, Buyer shall indemnify and hold **onsemi** and its officers, employees, subsidiaries, affiliates, and distributors harmless against all claims, costs, damages, and expenses, and reasonable attorney fees arising out of, directly or indirectly, any claim of personal injury or death associated with such unintended or unauthorized use, even if such claim alleges that **onsemi** was negligent regarding the design or manufacture of the part. **onsemi** is an Equal Opportunity/Affirmative Action Employer. This literature is subject to all applicable copyright laws and is not for resale in any manner.

## ADDITIONAL INFORMATION

### TECHNICAL PUBLICATIONS:

Technical Library: [www.onsemi.com/design/resources/technical-documentation](http://www.onsemi.com/design/resources/technical-documentation)  
onsemi Website: [www.onsemi.com](http://www.onsemi.com)

### ONLINE SUPPORT: [www.onsemi.com/support](http://www.onsemi.com/support)

For additional information, please contact your local Sales Representative at [www.onsemi.com/support/sales](http://www.onsemi.com/support/sales)