

HCPL2530, HCPL2531 OPTOCOUPLEDERS/OPTOISOLATORS

SOOS016 D3115, APRIL 1988

- Compatible with TTL Inputs
- High-Speed Switching . . . 1 Mbit/s Typ
- Bandwidth . . . 2 MHz Typ
- High Common-Mode Transient Immunity . . . 1000 V/ μ s Typ
- High-Voltage Electrical Insulation . . . 3000 V DC Min
- Open-Collector Output
- UL Recognized . . . File Number 65085

description

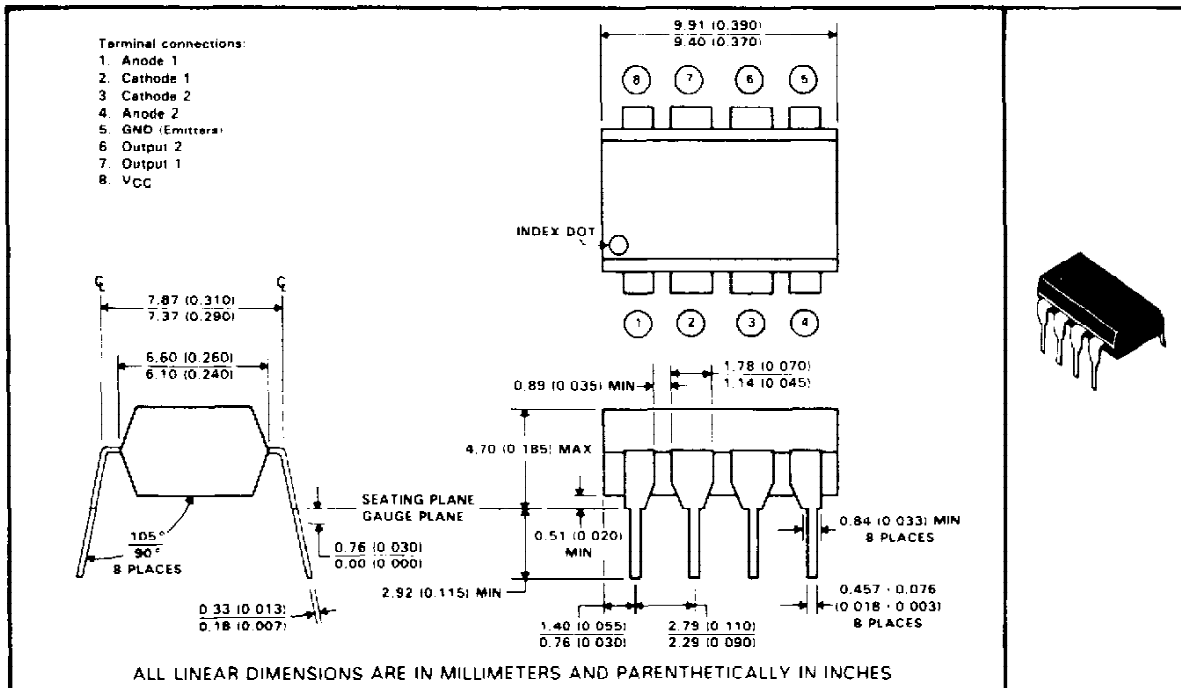
These high-speed optocouplers are designed for use in analog or digital interface applications that require high-voltage isolation between the input and output. Applications include line receivers that require high common-mode transient immunity, and analog or logic circuits that require input-to-output electrical isolation.

Each HCPL2530 and HCPL2531 optocoupler consists of two light-emitting diodes and two integrated photon detectors. Each detector is composed of a photodiode and an open-collector output transistor. Separate connections are provided for the photodiode bias and the transistor collector output. This feature, which reduces the transistor base-to-collector capacitance, results in speeds up to one hundred times that of a conventional phototransistor optocoupler.

The HCPL2530 is designed for TTL/CMOS, TTL/LSTTL, and wide-band analog applications.

The HCPL2531 is designed for high-speed TTL/TTL applications.

mechanical data



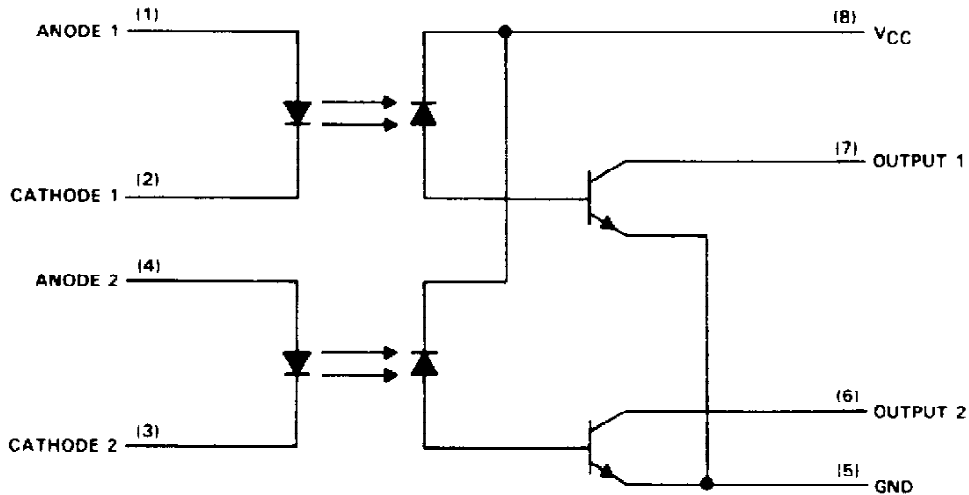
PRODUCTION DATA documents contain information current as of publication date. Products conform to specifications per the terms of Texas Instruments standard warranty. Production processing does not necessarily include testing of all parameters.


TEXAS INSTRUMENTS
 POST OFFICE BOX 655303 • DALLAS, TEXAS 75265

Copyright © 1988, Texas Instruments Incorporated

**HCPL2530, HCPL2531
OPTOCOUPLED/OPTOISOLATORS**

schematic



absolute maximum ratings at 25 °C free-air temperature (unless otherwise noted)

Supply and output voltage range, V_{CC} and V_O	-0.5 V to 15 V
Reverse input voltage (each channel)	5 V
Peak input forward current (each channel) (pulse duration = 1 ms, 50% duty cycle, see Note 1)	50 mA
Peak transient input forward current (each channel) (pulse duration = 1 μ s, f = 300 Hz)	1 A
Average forward input current (each channel) (see Note 2)	25 mA
Peak output current (each channel)	16 mA
Average output current (each channel)	8 mA
Input power dissipation at (or below) 70 °C free-air temperature (each channel) (see Note 3)	45 mW
Output power dissipation at (or below) 70 °C free-air temperature (each channel) (see Note 4)	35 mW
Storage temperature range	-55 °C to 125 °C
Operating free-air temperature range	-55 °C to 100 °C
Lead temperature 1.6 mm (1/16 inch) from case for 10 seconds	260 °C

- NOTES: 1. Derate linearly above 70 °C free-air temperature at the rate of 1.67 mA/°C.
 2. Derate linearly above 70 °C free-air temperature at the rate of 0.83 mA/°C.
 3. Derate linearly above 70 °C free-air temperature at the rate of 1.50 mW/°C.
 4. Derate linearly above 70 °C free-air temperature at the rate of 1.17 mW/°C.

HCPL2530, HCPL2531 OPTOCOUPERS/OPTOISOLATORS

electrical characteristics over operating free-air temperature range of 0 °C to 70 °C (unless otherwise noted)

PARAMETER	TEST CONDITIONS	HCPL2530		HCPL2531		UNIT		
		MIN	TYP†	MAX	MIN		TYP†	MAX
V _F	Input forward voltage	I _F = 16 mA, T _A = 25 °C		1.6	1.7	1.6	1.7	V
V _F	Temperature coefficient of forward voltage	I _F = 16 mA		-1.8		-1.8		mV/°C
V _{BR}	Input breakdown voltage	I _R = 10 μA, T _A = 25 °C		5		5		V
V _{OL}	Low-level output voltage	V _{CC} = 4.5 V, I _F = 16 mA	I _{OL} = 1.1 mA	0.1	0.5			V
			I _{OL} = 2.4 mA			0.1	0.5	
I _{OH}	High-level output current	I _{F1} = I _{F2} = 0, T _A = 25 °C	V _{CC} = V _{O1} = V _{O2} = 5.5 V	3	500	3	500	nA
		V _{CC} = V _{O1} = V _{O2} = 15 V, I _{F1} = I _{F2} = 0			50		50	μA
I _{CCH}	Supply current, high-level output	V _{CC} = 15 V, I _{F1} = I _{F2} = 0	I _{O1} = I _{O2} = 0	4		4		μA
I _{CCL}	Supply current, low-level output	V _{CC} = 15 V, I _{F1} = I _{F2} = 16 mA	I _{O1} = I _{O2} = 0	80		80		μA
CTR	Current transfer ratio	V _{CC} = 4.5 V, I _F = 16 mA, See Note 5	V _O = 0.5 V, T _A = 25 °C	7%	18%	19%	24%	
		V _{CC} = 4.5 V, I _F = 16 mA, See Note 5	V _O = 0.5 V, See Note 5	5%		15%		
r _{IO}	Input-output resistance	V _{IO} = 500 V, See Note 6	T _A = 25 °C	10 ¹²		10 ¹²		Ω
I _{IO}	Input-output insulation leakage current	V _{IO} = 3000 V, See Note 6	t = 5 s, T _A = 25 °C, R _h = 45%	1		1		μA
C _i	Input capacitance	V _F = 0,	f = 1 MHz	60		60		pF
C _{io}	Input-output capacitance	f = 1 MHz,	See Note 6	0.6		0.6		pF
r _{ii}	Input-input resistance	V _{ii} = 500 V, See Note 7	T _A = 25 °C	10 ¹¹		10 ¹¹		Ω
I _{ii}	Input-input insulation leakage current	V _{ii} = 500 V, See Note 7	t = 5 s, T _A = 25 °C, R _h = 45%	0.005		0.005		μA
C _{ii}	Input-input capacitance	f = 1 MHz, See Note 7	T _A = 25 °C	0.25		0.25		pF

† All typical values are at T_A = 25 °C.

NOTES: 5. Current transfer ratio is defined as the ratio of output collector current I_O to the forward LED input current I_F times 100%.

6. These parameters are measured between pins 2 and 3 shorted together and pins 5, 6, 7, and 8 shorted together.

7. These parameters are measured between pins 1 and 2 shorted together and pins 3 and 4 shorted together.

HCPL2530, HCPL2531 OPTOCOUPLEDERS/OPTOISOLATORS

operating characteristics at $V_{CC} = 5\text{ V}$, $I_F = 16\text{ mA}$, $T_A = 25^\circ\text{C}$

PARAMETER	TEST CONDITIONS	HCPL2530			HCPL2531			UNIT
		MIN	TYP	MAX	MIN	TYP	MAX	
BW	Bandwidth (–3 dB)	$R_L = 100\ \Omega$, See Note 8			2			MHz

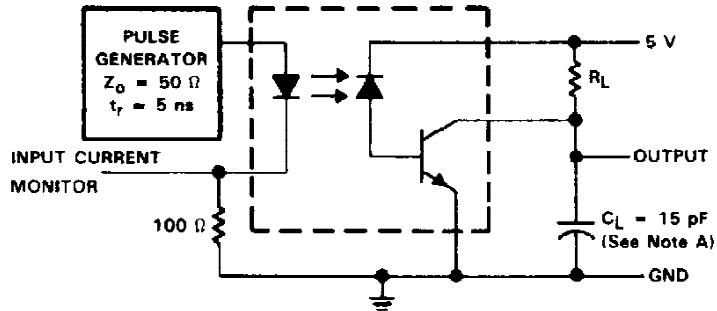
NOTE 7: Bandwidth is the range of frequencies within which the ac output voltage is not more than 3 dB below the low-frequency value.

switching characteristics at $V_{CC} = 5\text{ V}$, $I_F = 16\text{ mA}$, $T_A = 25^\circ\text{C}$ (unless otherwise noted)

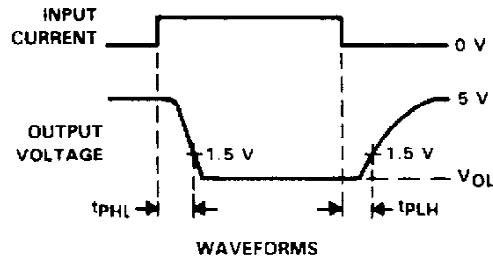
PARAMETER	TEST CONDITIONS	HCPL2530			HCPL2531			UNIT
		MIN	TYP	MAX	MIN	TYP	MAX	
t_{PLH}	Propagation delay time, low-to-high-level output	$R_L = 4.1\text{ k}\Omega$, See Note 9, See Figure 1		1.0	1.5			μs
		$R_L = 1.9\text{ k}\Omega$, See Note 10, See Figure 1				0.6	0.8	
t_{PHL}	Propagation delay time, high-to-low-level output	$R_L = 4.1\text{ k}\Omega$, See Note 9, See Figure 1		0.7	1.5			μs
		$R_L = 1.9\text{ k}\Omega$, See Note 10, See Figure 1				0.6	0.8	
$\frac{dV_{CM}}{dt}$ (H)	Common-mode input transient immunity, high-level output	$\Delta V_{CM} = 10\text{ V}$, $I_F = 0$, $R_L = 4.1\text{ k}\Omega$, See Notes 9 and 10, See Figure 2		1000			$\text{V}/\mu\text{s}$	
		$\Delta V_{CM} = 10\text{ V}$, $I_F = 0$, $R_L = 1.9\text{ k}\Omega$, See Notes 10 and 11, See Figure 2		1000				
$\frac{dV_{CM}}{dt}$ (L)	Common-mode input transient immunity, low-level output	$\Delta V_{CM} = 10\text{ V}$, $R_L = 4.1\text{ k}\Omega$, See Figure 2, See Notes 9 and 11,		–1000			$\text{V}/\mu\text{s}$	
		$\Delta V_{CM} = 10\text{ V}$, $R_L = 1.9\text{ k}\Omega$, See Figure 2, See Notes 10 and 11		–1000				

- NOTES: 9. The 4.1-k Ω load represents one LSTTL unit load of 0.36 mA and a 6.1-k Ω pullup resistor.
 10. The 1.9-k Ω load represents one TTL unit load of 1.6 mA and a 5.6-k Ω pullup resistor.
 11. Common-mode transient immunity, high-level output, is the maximum rate of rise of the common-mode input voltage that does not cause the output voltage to drop below 2 V. Common-mode input transient immunity, low-level output, is the maximum rate of fall of the common-mode input voltage that does not cause the output voltage to rise above 0.8 V

PARAMETER MEASUREMENT INFORMATION



TEST CIRCUIT (EACH CHANNEL)



NOTE A: C_L includes probe and stray capacitance.

FIGURE 1. SWITCHING TEST CIRCUIT AND WAVEFORMS

**HCPL2530, HCPL2531
OPTOCOUPLEDERS/OPTOISOLATORS**

PARAMETER MEASUREMENT INFORMATION

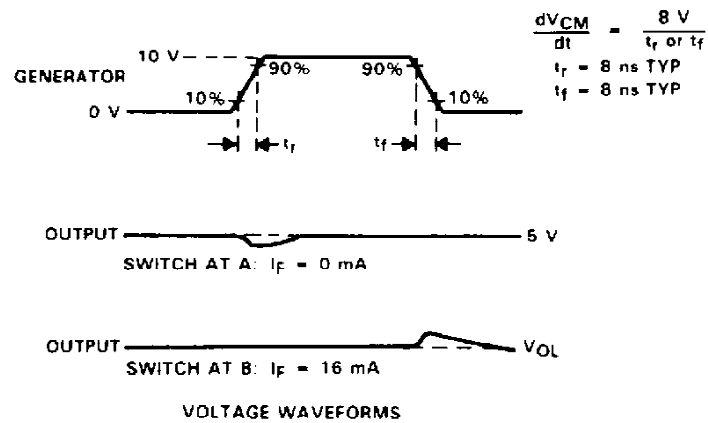
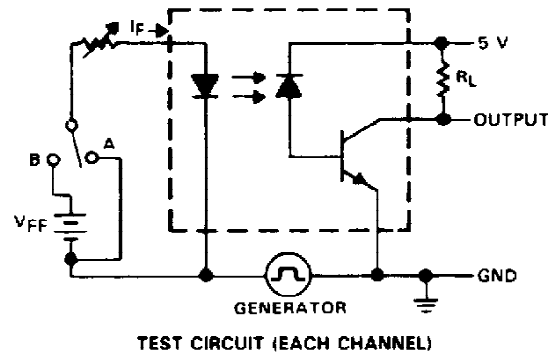


FIGURE 2. TRANSIENT IMMUNITY TEST CIRCUIT AND WAVEFORMS

HCPL2530, HCPL2531 OPTOCOUPLEDERS/OPTOISOLATORS

INPUT DIODE FORWARD CURRENT
vs
FORWARD VOLTAGE

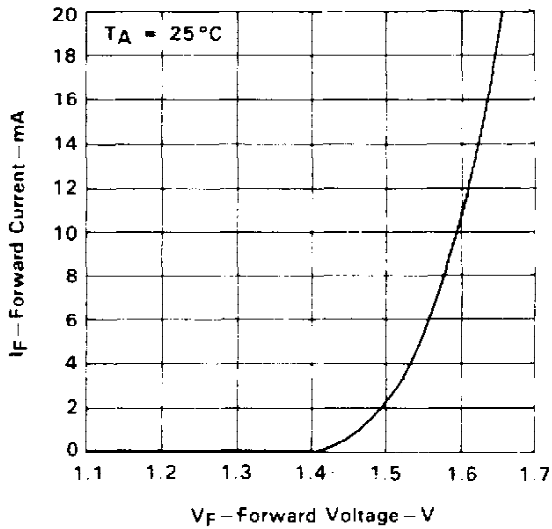


FIGURE 3

HCPL2530
CURRENT TRANSFER CHARACTERISTICS

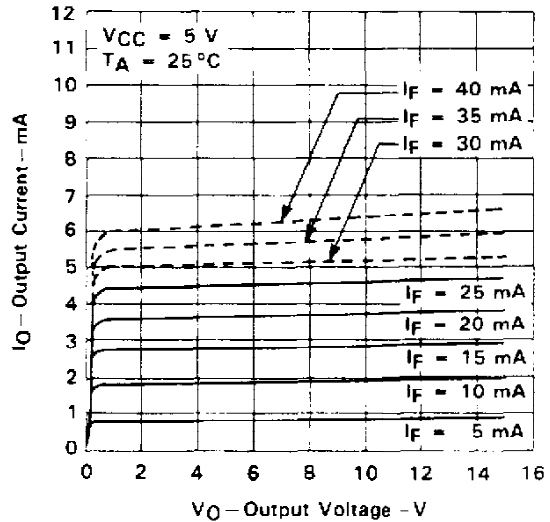


FIGURE 4

NORMALIZED CURRENT TRANSFER RATIO
vs
INPUT DIODE FORWARD CURRENT

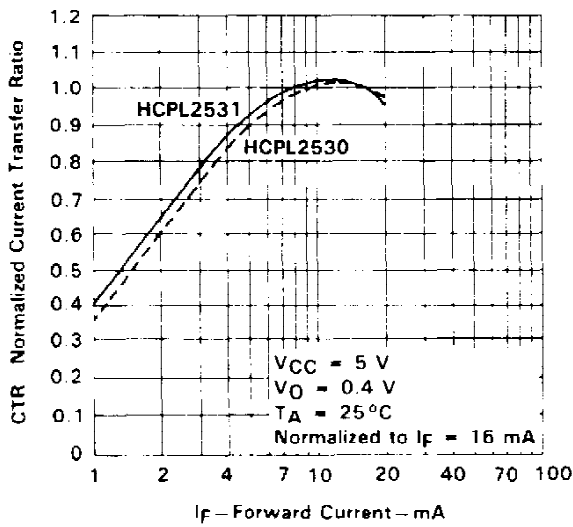


FIGURE 5

NORMALIZED CURRENT TRANSFER RATIO
vs
FREE AIR TEMPERATURE

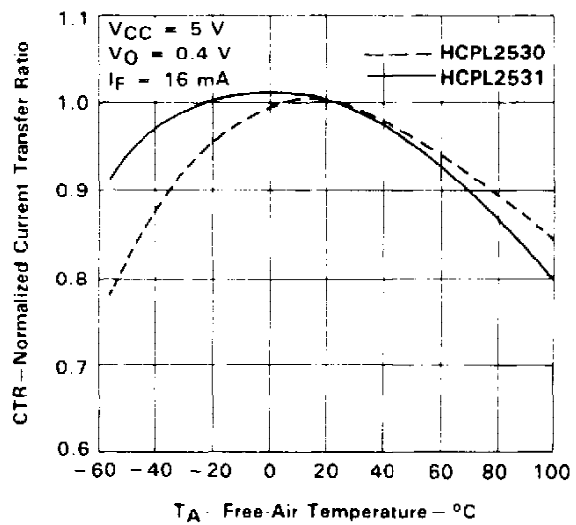


FIGURE 6

**HCPL2530, HCPL2531
OPTOCOUPERS/OPTOISOLATORS**

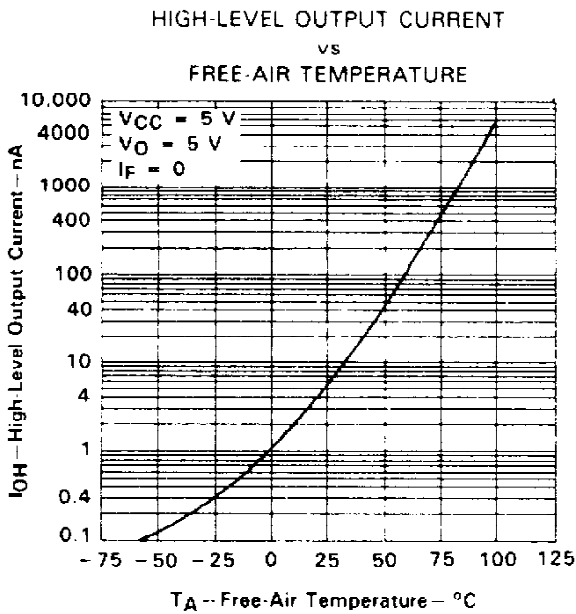


FIGURE 7

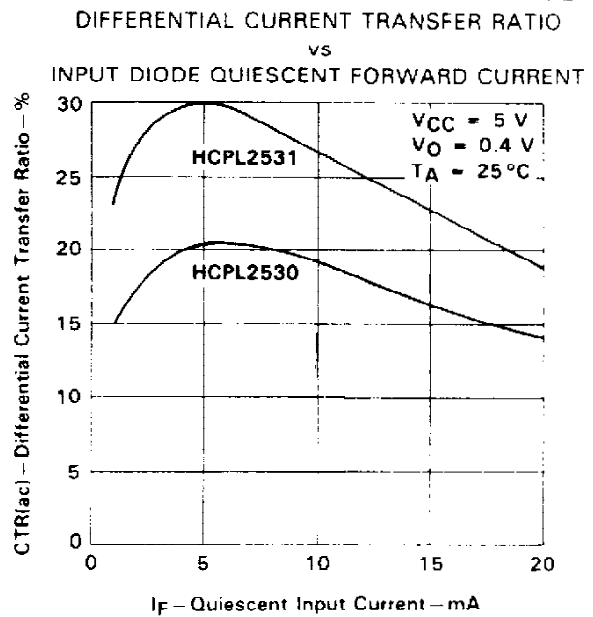


FIGURE 8

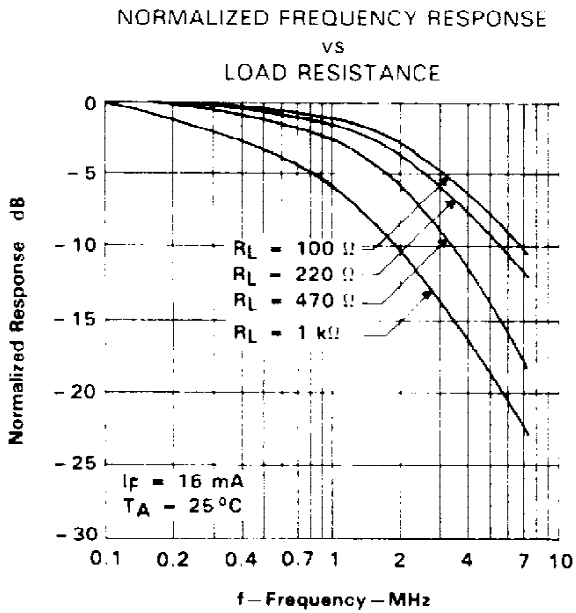


FIGURE 9

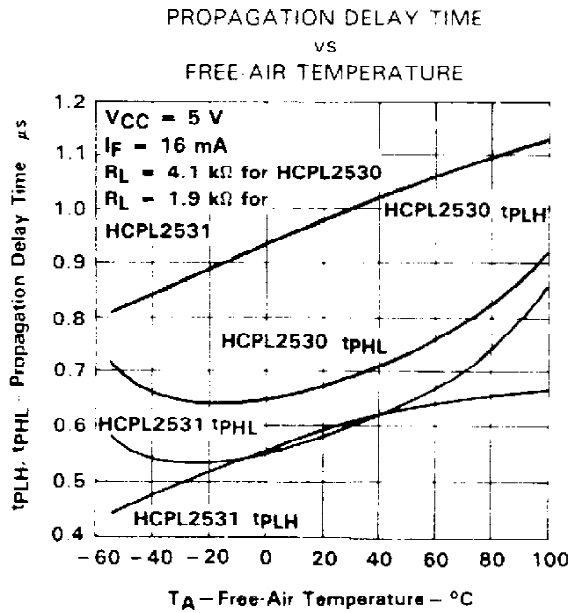


FIGURE 10

IMPORTANT NOTICE

Texas Instruments (TI) reserves the right to make changes to its products or to discontinue any semiconductor product or service without notice, and advises its customers to obtain the latest version of relevant information to verify, before placing orders, that the information being relied on is current.

TI warrants performance of its semiconductor products and related software to the specifications applicable at the time of sale in accordance with TI's standard warranty. Testing and other quality control techniques are utilized to the extent TI deems necessary to support this warranty. Specific testing of all parameters of each device is not necessarily performed, except those mandated by government requirements.

Certain applications using semiconductor products may involve potential risks of death, personal injury, or severe property or environmental damage ("Critical Applications").

TI SEMICONDUCTOR PRODUCTS ARE NOT DESIGNED, INTENDED, AUTHORIZED, OR WARRANTED TO BE SUITABLE FOR USE IN LIFE-SUPPORT APPLICATIONS, DEVICES OR SYSTEMS OR OTHER CRITICAL APPLICATIONS.

Inclusion of TI products in such applications is understood to be fully at the risk of the customer. Use of TI products in such applications requires the written approval of an appropriate TI officer. Questions concerning potential risk applications should be directed to TI through a local SC sales office.

In order to minimize risks associated with the customer's applications, adequate design and operating safeguards should be provided by the customer to minimize inherent or procedural hazards.

TI assumes no liability for applications assistance, customer product design, software performance, or infringement of patents or services described herein. Nor does TI warrant or represent that any license, either express or implied, is granted under any patent right, copyright, mask work right, or other intellectual property right of TI covering or relating to any combination, machine, or process in which such semiconductor products or services might be or are used.

IMPORTANT NOTICE

Texas Instruments and its subsidiaries (TI) reserve the right to make changes to their products or to discontinue any product or service without notice, and advise customers to obtain the latest version of relevant information to verify, before placing orders, that information being relied on is current and complete. All products are sold subject to the terms and conditions of sale supplied at the time of order acknowledgement, including those pertaining to warranty, patent infringement, and limitation of liability.

TI warrants performance of its semiconductor products to the specifications applicable at the time of sale in accordance with TI's standard warranty. Testing and other quality control techniques are utilized to the extent TI deems necessary to support this warranty. Specific testing of all parameters of each device is not necessarily performed, except those mandated by government requirements.

CERTAIN APPLICATIONS USING SEMICONDUCTOR PRODUCTS MAY INVOLVE POTENTIAL RISKS OF DEATH, PERSONAL INJURY, OR SEVERE PROPERTY OR ENVIRONMENTAL DAMAGE ("CRITICAL APPLICATIONS"). TI SEMICONDUCTOR PRODUCTS ARE NOT DESIGNED, AUTHORIZED, OR WARRANTED TO BE SUITABLE FOR USE IN LIFE-SUPPORT DEVICES OR SYSTEMS OR OTHER CRITICAL APPLICATIONS. INCLUSION OF TI PRODUCTS IN SUCH APPLICATIONS IS UNDERSTOOD TO BE FULLY AT THE CUSTOMER'S RISK.

In order to minimize risks associated with the customer's applications, adequate design and operating safeguards must be provided by the customer to minimize inherent or procedural hazards.

TI assumes no liability for applications assistance or customer product design. TI does not warrant or represent that any license, either express or implied, is granted under any patent right, copyright, mask work right, or other intellectual property right of TI covering or relating to any combination, machine, or process in which such semiconductor products or services might be or are used. TI's publication of information regarding any third party's products or services does not constitute TI's approval, warranty or endorsement thereof.

PACKAGING INFORMATION

Orderable Device	Status ⁽¹⁾	Package Type	Package Drawing	Pins	Package Qty	Eco Plan ⁽²⁾	Lead/Ball Finish	MSL Peak Temp ⁽³⁾
HCPL2530	OBSOLETE	PDIP	N	8		TBD	Call TI	Call TI
HCPL2531	OBSOLETE	PDIP	N	8		TBD	Call TI	Call TI

⁽¹⁾ The marketing status values are defined as follows:

ACTIVE: Product device recommended for new designs.

LIFEBUY: TI has announced that the device will be discontinued, and a lifetime-buy period is in effect.

NRND: Not recommended for new designs. Device is in production to support existing customers, but TI does not recommend using this part in a new design.

PREVIEW: Device has been announced but is not in production. Samples may or may not be available.

OBSOLETE: TI has discontinued the production of the device.

⁽²⁾ Eco Plan - The planned eco-friendly classification: Pb-Free (RoHS) or Green (RoHS & no Sb/Br) - please check <http://www.ti.com/productcontent> for the latest availability information and additional product content details.

TBD: The Pb-Free/Green conversion plan has not been defined.

Pb-Free (RoHS): TI's terms "Lead-Free" or "Pb-Free" mean semiconductor products that are compatible with the current RoHS requirements for all 6 substances, including the requirement that lead not exceed 0.1% by weight in homogeneous materials. Where designed to be soldered at high temperatures, TI Pb-Free products are suitable for use in specified lead-free processes.

Green (RoHS & no Sb/Br): TI defines "Green" to mean Pb-Free (RoHS compatible), and free of Bromine (Br) and Antimony (Sb) based flame retardants (Br or Sb do not exceed 0.1% by weight in homogeneous material)

⁽³⁾ MSL, Peak Temp. -- The Moisture Sensitivity Level rating according to the JEDEC industry standard classifications, and peak solder temperature.

Important Information and Disclaimer:The information provided on this page represents TI's knowledge and belief as of the date that it is provided. TI bases its knowledge and belief on information provided by third parties, and makes no representation or warranty as to the accuracy of such information. Efforts are underway to better integrate information from third parties. TI has taken and continues to take reasonable steps to provide representative and accurate information but may not have conducted destructive testing or chemical analysis on incoming materials and chemicals. TI and TI suppliers consider certain information to be proprietary, and thus CAS numbers and other limited information may not be available for release.

In no event shall TI's liability arising out of such information exceed the total purchase price of the TI part(s) at issue in this document sold by TI to Customer on an annual basis.

IMPORTANT NOTICE

Texas Instruments Incorporated and its subsidiaries (TI) reserve the right to make corrections, modifications, enhancements, improvements, and other changes to its products and services at any time and to discontinue any product or service without notice. Customers should obtain the latest relevant information before placing orders and should verify that such information is current and complete. All products are sold subject to TI's terms and conditions of sale supplied at the time of order acknowledgment.

TI warrants performance of its hardware products to the specifications applicable at the time of sale in accordance with TI's standard warranty. Testing and other quality control techniques are used to the extent TI deems necessary to support this warranty. Except where mandated by government requirements, testing of all parameters of each product is not necessarily performed.

TI assumes no liability for applications assistance or customer product design. Customers are responsible for their products and applications using TI components. To minimize the risks associated with customer products and applications, customers should provide adequate design and operating safeguards.

TI does not warrant or represent that any license, either express or implied, is granted under any TI patent right, copyright, mask work right, or other TI intellectual property right relating to any combination, machine, or process in which TI products or services are used. Information published by TI regarding third-party products or services does not constitute a license from TI to use such products or services or a warranty or endorsement thereof. Use of such information may require a license from a third party under the patents or other intellectual property of the third party, or a license from TI under the patents or other intellectual property of TI.

Reproduction of information in TI data books or data sheets is permissible only if reproduction is without alteration and is accompanied by all associated warranties, conditions, limitations, and notices. Reproduction of this information with alteration is an unfair and deceptive business practice. TI is not responsible or liable for such altered documentation.

Resale of TI products or services with statements different from or beyond the parameters stated by TI for that product or service voids all express and any implied warranties for the associated TI product or service and is an unfair and deceptive business practice. TI is not responsible or liable for any such statements.

Following are URLs where you can obtain information on other Texas Instruments products and application solutions:

Products		Applications	
Amplifiers	amplifier.ti.com	Audio	www.ti.com/audio
Data Converters	dataconverter.ti.com	Automotive	www.ti.com/automotive
DSP	dsp.ti.com	Broadband	www.ti.com/broadband
Interface	interface.ti.com	Digital Control	www.ti.com/digitalcontrol
Logic	logic.ti.com	Military	www.ti.com/military
Power Mgmt	power.ti.com	Optical Networking	www.ti.com/opticalnetwork
Microcontrollers	microcontroller.ti.com	Security	www.ti.com/security
		Telephony	www.ti.com/telephony
		Video & Imaging	www.ti.com/video
		Wireless	www.ti.com/wireless

Mailing Address: Texas Instruments
Post Office Box 655303 Dallas, Texas 75265