

This document includes all four modules of the Spartan<sup>®</sup>-II FPGA data sheet.

**Module 1:  
Introduction and Ordering Information****DS001-1 (v2.8) June 13, 2008**

- Introduction
- Features
- General Overview
- Product Availability
- User I/O Chart
- Ordering Information

**Module 2:  
Functional Description****DS001-2 (v2.8) June 13, 2008**

- Architectural Description
  - Spartan-II Array
  - Input/Output Block
  - Configurable Logic Block
  - Block RAM
  - Clock Distribution: Delay-Locked Loop
  - Boundary Scan
- Development System
- Configuration
  - Configuration Timing
- Design Considerations

**Module 3:  
DC and Switching Characteristics****DS001-3 (v2.8) June 13, 2008**

- DC Specifications
  - Absolute Maximum Ratings
  - Recommended Operating Conditions
  - DC Characteristics
  - Power-On Requirements
  - DC Input and Output Levels
- Switching Characteristics
  - Pin-to-Pin Parameters
  - IOB Switching Characteristics
  - Clock Distribution Characteristics
  - DLL Timing Parameters
  - CLB Switching Characteristics
  - Block RAM Switching Characteristics
  - TBUF Switching Characteristics
  - JTAG Switching Characteristics

**Module 4:  
Pinout Tables****DS001-4 (v2.8) June 13, 2008**

- Pin Definitions
- Pinout Tables

**IMPORTANT NOTE:** *This Spartan-II FPGA data sheet is in four modules. Each module has its own Revision History at the end. Use the PDF "Bookmarks" for easy navigation in this volume.*

## Introduction

The Spartan®-II Field-Programmable Gate Array family gives users high performance, abundant logic resources, and a rich feature set, all at an exceptionally low price. The six-member family offers densities ranging from 15,000 to 200,000 system gates, as shown in [Table 1](#). System performance is supported up to 200 MHz. Features include block RAM (to 56K bits), distributed RAM (to 75,264 bits), 16 selectable I/O standards, and four DLLs. Fast, predictable interconnect means that successive design iterations continue to meet timing requirements.

The Spartan-II family is a superior alternative to mask-programmed ASICs. The FPGA avoids the initial cost, lengthy development cycles, and inherent risk of conventional ASICs. Also, FPGA programmability permits design upgrades in the field with no hardware replacement necessary (impossible with ASICs).

## Features

- Second generation ASIC replacement technology
  - Densities as high as 5,292 logic cells with up to 200,000 system gates
  - Streamlined features based on Virtex® FPGA architecture
  - Unlimited reprogrammability
  - Very low cost
  - Cost-effective 0.18 micron process
- System level features
  - SelectRAM™ hierarchical memory:
    - 16 bits/LUT distributed RAM
    - Configurable 4K bit block RAM
    - Fast interfaces to external RAM
  - Fully PCI compliant
  - Low-power segmented routing architecture
  - Full readback ability for verification/observability
  - Dedicated carry logic for high-speed arithmetic
  - Efficient multiplier support
  - Cascade chain for wide-input functions
  - Abundant registers/latches with enable, set, reset
  - Four dedicated DLLs for advanced clock control
  - Four primary low-skew global clock distribution nets
  - IEEE 1149.1 compatible boundary scan logic
- Versatile I/O and packaging
  - Pb-free package options
  - Low-cost packages available in all densities
  - Family footprint compatibility in common packages
  - 16 high-performance interface standards
  - Hot swap Compact PCI friendly
  - Zero hold time simplifies system timing
- Core logic powered at 2.5V and I/Os powered at 1.5V, 2.5V, or 3.3V
- Fully supported by powerful Xilinx® ISE® development system
  - Fully automatic mapping, placement, and routing

Table 1: Spartan-II FPGA Family Members

Device	Logic Cells	System Gates (Logic and RAM)	CLB Array (R x C)	Total CLBs	Maximum Available User I/O <sup>(1)</sup>	Total Distributed RAM Bits	Total Block RAM Bits
XC2S15	432	15,000	8 x 12	96	86	6,144	16K
XC2S30	972	30,000	12 x 18	216	92	13,824	24K
XC2S50	1,728	50,000	16 x 24	384	176	24,576	32K
XC2S100	2,700	100,000	20 x 30	600	176	38,400	40K
XC2S150	3,888	150,000	24 x 36	864	260	55,296	48K
XC2S200	5,292	200,000	28 x 42	1,176	284	75,264	56K

### Notes:

1. All user I/O counts do not include the four global clock/user input pins. See details in [Table 2, page 4](#).

## General Overview

The Spartan-II family of FPGAs have a regular, flexible, programmable architecture of Configurable Logic Blocks (CLBs), surrounded by a perimeter of programmable Input/Output Blocks (IOBs). There are four Delay-Locked Loops (DLLs), one at each corner of the die. Two columns of block RAM lie on opposite sides of the die, between the CLBs and the IOB columns. These functional elements are interconnected by a powerful hierarchy of versatile routing channels (see Figure 1).

Spartan-II FPGAs are customized by loading configuration data into internal static memory cells. Unlimited reprogramming cycles are possible with this approach. Stored values in these cells determine logic functions and interconnections implemented in the FPGA. Configuration data can be read from an external serial PROM (master

serial mode), or written into the FPGA in slave serial, slave parallel, or Boundary Scan modes.

Spartan-II FPGAs are typically used in high-volume applications where the versatility of a fast programmable solution adds benefits. Spartan-II FPGAs are ideal for shortening product development cycles while offering a cost-effective solution for high volume production.

Spartan-II FPGAs achieve high-performance, low-cost operation through advanced architecture and semiconductor technology. Spartan-II devices provide system clock rates up to 200 MHz. In addition to the conventional benefits of high-volume programmable logic solutions, Spartan-II FPGAs also offer on-chip synchronous single-port and dual-port RAM (block and distributed form), DLL clock drivers, programmable set and reset on all flip-flops, fast carry logic, and many other features.

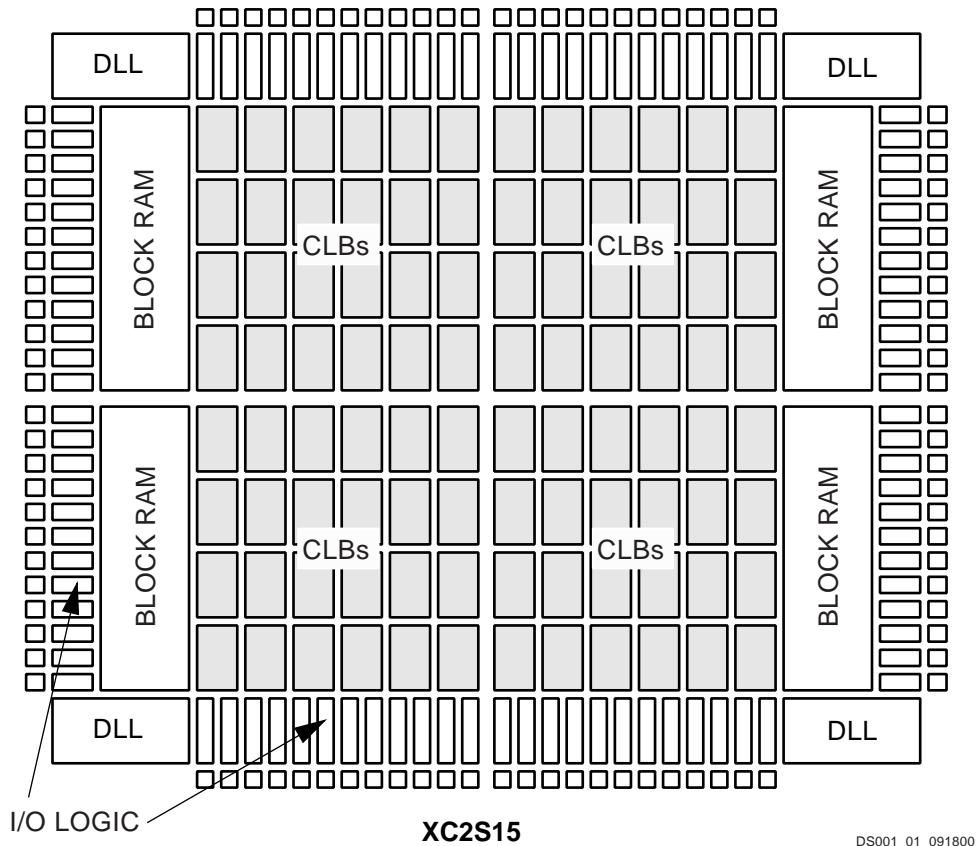


Figure 1: Basic Spartan-II Family FPGA Block Diagram

## Spartan-II Product Availability

Table 2 shows the maximum user I/Os available on the device and the number of user I/Os available for each device/package combination. The four global clock pins are usable as additional user I/Os when not used as a global clock pin. These pins are not included in user I/O counts.

Table 2: Spartan-II FPGA User I/O Chart<sup>(1)</sup>

Device	Maximum User I/O	Available User I/O According to Package Type					
		VQ100 VQG100	TQ144 TQG144	CS144 CSG144	PQ208 PQG208	FG256 FGG256	FG456 FGG456
XC2S15	86	60	86	(Note 2)	-	-	-
XC2S30	92	60	92	92	(Note 2)	-	-
XC2S50	176	-	92	-	140	176	-
XC2S100	176	-	92	-	140	176	(Note 2)
XC2S150	260	-	-	-	140	176	260
XC2S200	284	-	-	-	140	176	284

**Notes:**

1. All user I/O counts do not include the four global clock/user input pins.
2. Discontinued by [PDN2004-01](#).

## Ordering Information

Spartan-II devices are available in both standard and Pb-free packaging options for all device/package combinations. The Pb-free packages include a special "G" character in the ordering code.

### Standard Packaging



### Pb-Free Packaging



## Device Ordering Options

Device	Speed Grade		Number of Pins / Package Type		Temperature Range (T <sub>J</sub> )	
XC2S15	-5	Standard Performance	VQ(G)100	100-pin Plastic Very Thin QFP	C = Commercial	0°C to +85°C
XC2S30	-6	Higher Performance <sup>(1)</sup>	CS(G)144	144-ball Chip-Scale BGA	I = Industrial	-40°C to +100°C
XC2S50			TQ(G)144	144-pin Plastic Thin QFP		
XC2S100			PQ(G)208	208-pin Plastic QFP		
XC2S150			FG(G)256	256-ball Fine Pitch BGA		
XC2S200			FG(G)456	456-ball Fine Pitch BGA		

#### Notes:

- The -6 speed grade is exclusively available in the Commercial temperature range.

## Device Part Marking



## Revision History

Date	Version No.	Description
09/18/00	2.0	Sectioned the Spartan-II Family data sheet into four modules. Added industrial temperature range information.
10/31/00	2.1	Removed Power down feature.
03/05/01	2.2	Added statement on PROMs.
11/01/01	2.3	Updated Product Availability chart. Minor text edits.
09/03/03	2.4	Added device part marking.
08/02/04	2.5	Added information on Pb-free packaging options and removed discontinued options.
06/13/08	2.8	Updated description and links. Updated all modules for continuous page, figure, and table numbering. Synchronized all modules to v2.8.



The three IOB registers function either as edge-triggered D-type flip-flops or as level-sensitive latches. Each IOB has a clock signal (CLK) shared by the three registers and independent Clock Enable (CE) signals for each register. In addition to the CLK and CE control signals, the three registers share a Set/Reset (SR). For each register, this signal can be independently configured as a synchronous Set, a synchronous Reset, an asynchronous Preset, or an asynchronous Clear.

A feature not shown in the block diagram, but controlled by the software, is polarity control. The input and output buffers and all of the IOB control signals have independent polarity controls.

Optional pull-up and pull-down resistors and an optional weak-keeper circuit are attached to each pad. Prior to configuration all outputs not involved in configuration are forced into their high-impedance state. The pull-down resistors and the weak-keeper circuits are inactive, but inputs may optionally be pulled up.

**Table 3: Standards Supported by I/O (Typical Values)**

I/O Standard	Input Reference Voltage ( $V_{REF}$ )	Output Source Voltage ( $V_{CCO}$ )	Board Termination Voltage ( $V_{TT}$ )
LVTTTL (2-24 mA)	N/A	3.3	N/A
LVC MOS2	N/A	2.5	N/A
PCI (3V/5V, 33 MHz/66 MHz)	N/A	3.3	N/A
GTL	0.8	N/A	1.2
GTL+	1.0	N/A	1.5
HSTL Class I	0.75	1.5	0.75
HSTL Class III	0.9	1.5	1.5
HSTL Class IV	0.9	1.5	1.5
SSTL3 Class I and II	1.5	3.3	1.5
SSTL2 Class I and II	1.25	2.5	1.25
CTT	1.5	3.3	1.5
AGP-2X	1.32	3.3	N/A

The activation of pull-up resistors prior to configuration is controlled on a global basis by the configuration mode pins. If the pull-up resistors are not activated, all the pins will float. Consequently, external pull-up or pull-down resistors must be provided on pins required to be at a well-defined logic level prior to configuration.

All pads are protected against damage from electrostatic discharge (ESD) and from over-voltage transients. Two forms of over-voltage protection are provided, one that permits 5V compliance, and one that does not. For 5V compliance, a zener-like structure connected to ground turns on when the output rises to approximately 6.5V. When 5V compliance is not required, a conventional clamp diode may be connected to the output supply voltage,  $V_{CCO}$ . The type of over-voltage protection can be selected independently for each pad.

All Spartan-II FPGA IOBs support IEEE 1149.1-compatible boundary scan testing.

### Input Path

A buffer in the Spartan-II FPGA IOB input path routes the input signal either directly to internal logic or through an optional input flip-flop.

An optional delay element at the D-input of this flip-flop eliminates pad-to-pad hold time. The delay is matched to the internal clock-distribution delay of the FPGA, and when used, assures that the pad-to-pad hold time is zero.

Each input buffer can be configured to conform to any of the low-voltage signaling standards supported. In some of these standards the input buffer utilizes a user-supplied threshold voltage,  $V_{REF}$ . The need to supply  $V_{REF}$  imposes constraints on which standards can be used in close proximity to each other. See "[I/O Banking](#)," page 9.

There are optional pull-up and pull-down resistors at each input for use after configuration.

### Output Path

The output path includes a 3-state output buffer that drives the output signal onto the pad. The output signal can be routed to the buffer directly from the internal logic or through an optional IOB output flip-flop.

The 3-state control of the output can also be routed directly from the internal logic or through a flip-flop that provides synchronous enable and disable.

Each output driver can be individually programmed for a wide range of low-voltage signaling standards. Each output buffer can source up to 24 mA and sink up to 48 mA. Drive strength and slew rate controls minimize bus transients.

In most signaling standards, the output high voltage depends on an externally supplied  $V_{CCO}$  voltage. The need to supply  $V_{CCO}$  imposes constraints on which standards can be used in close proximity to each other. See "[I/O Banking](#)".

An optional weak-keeper circuit is connected to each output. When selected, the circuit monitors the voltage on the pad and weakly drives the pin High or Low to match the input signal. If the pin is connected to a multiple-source signal, the weak keeper holds the signal in its last state if all



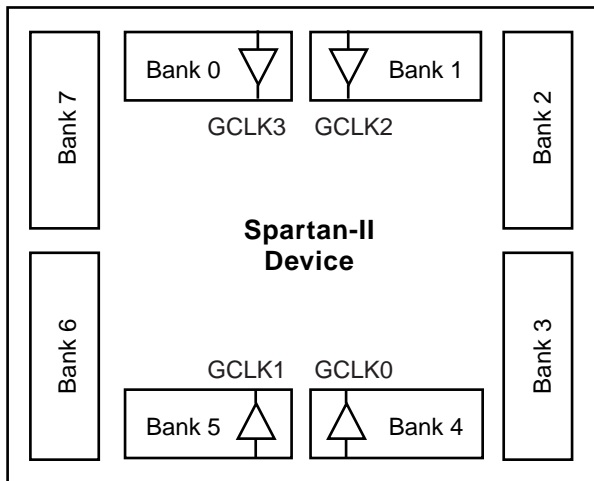
drivers are disabled. Maintaining a valid logic level in this way helps eliminate bus chatter.

Because the weak-keeper circuit uses the IOB input buffer to monitor the input level, an appropriate  $V_{REF}$  voltage must be provided if the signaling standard requires one. The provision of this voltage must comply with the I/O banking rules.

**I/O Banking**

Some of the I/O standards described above require  $V_{CCO}$  and/or  $V_{REF}$  voltages. These voltages are externally connected to device pins that serve groups of IOBs, called banks. Consequently, restrictions exist about which I/O standards can be combined within a given bank.

Eight I/O banks result from separating each edge of the FPGA into two banks (see Figure 3). Each bank has multiple  $V_{CCO}$  pins which must be connected to the same voltage. Voltage is determined by the output standards in use.



DS001\_03\_060100

Figure 3: Spartan-II I/O Banks

Within a bank, output standards may be mixed only if they use the same  $V_{CCO}$ . Compatible standards are shown in Table 4. GTL and GTL+ appear under all voltages because their open-drain outputs do not depend on  $V_{CCO}$ .

Table 4: Compatible Output Standards

V <sub>CCO</sub>	Compatible Standards
3.3V	PCI, LVTTTL, SSTL3 I, SSTL3 II, CTT, AGP, GTL, GTL+
2.5V	SSTL2 I, SSTL2 II, LVCMOS2, GTL, GTL+
1.5V	HSTL I, HSTL III, HSTL IV, GTL, GTL+

Some input standards require a user-supplied threshold voltage,  $V_{REF}$ . In this case, certain user-I/O pins are

automatically configured as inputs for the  $V_{REF}$  voltage. About one in six of the I/O pins in the bank assume this role.

$V_{REF}$  pins within a bank are interconnected internally and consequently only one  $V_{REF}$  voltage can be used within each bank. All  $V_{REF}$  pins in the bank, however, must be connected to the external voltage source for correct operation.

In a bank, inputs requiring  $V_{REF}$  can be mixed with those that do not but only one  $V_{REF}$  voltage may be used within a bank. Input buffers that use  $V_{REF}$  are not 5V tolerant. LVTTTL, LVCMOS2, and PCI are 5V tolerant. The  $V_{CCO}$  and  $V_{REF}$  pins for each bank appear in the device pinout tables.

Within a given package, the number of  $V_{REF}$  and  $V_{CCO}$  pins can vary depending on the size of device. In larger devices, more I/O pins convert to  $V_{REF}$  pins. Since these are always a superset of the  $V_{REF}$  pins used for smaller devices, it is possible to design a PCB that permits migration to a larger device. All  $V_{REF}$  pins for the largest device anticipated must be connected to the  $V_{REF}$  voltage, and not used for I/O.

Independent Banks Available

Package	VQ100 PQ208	CS144 TQ144	FG256 FG456
Independent Banks	1	4	8

**Configurable Logic Block**

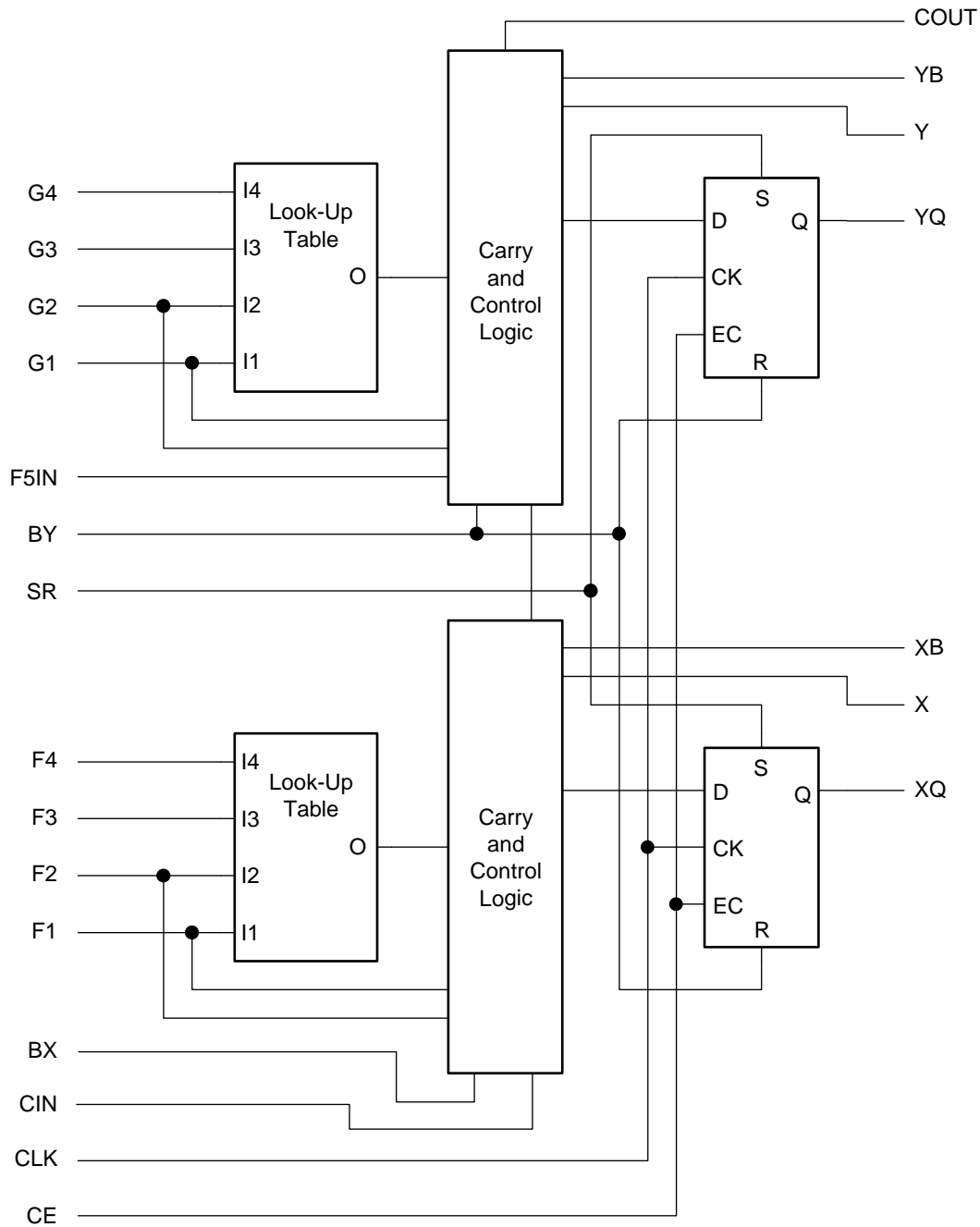
The basic building block of the Spartan-II FPGA CLB is the logic cell (LC). An LC includes a 4-input function generator, carry logic, and storage element. Output from the function generator in each LC drives the CLB output and the D input of the flip-flop. Each Spartan-II FPGA CLB contains four LCs, organized in two similar slices; a single slice is shown in Figure 4.

In addition to the four basic LCs, the Spartan-II FPGA CLB contains logic that combines function generators to provide functions of five or six inputs.

**Look-Up Tables**

Spartan-II FPGA function generators are implemented as 4-input look-up tables (LUTs). In addition to operating as a function generator, each LUT can provide a 16 x 1-bit synchronous RAM. Furthermore, the two LUTs within a slice can be combined to create a 16 x 2-bit or 32 x 1-bit synchronous RAM, or a 16 x 1-bit dual-port synchronous RAM.

The Spartan-II FPGA LUT can also provide a 16-bit shift register that is ideal for capturing high-speed or burst-mode data. This mode can also be used to store data in applications such as Digital Signal Processing.



DS001\_04\_091400

Figure 4: Spartan-II CLB Slice (two identical slices in each CLB)

**Storage Elements**

Storage elements in the Spartan-II FPGA slice can be configured either as edge-triggered D-type flip-flops or as level-sensitive latches. The D inputs can be driven either by function generators within the slice or directly from slice inputs, bypassing the function generators.

In addition to Clock and Clock Enable signals, each slice has synchronous set and reset signals (SR and BY). SR forces a storage element into the initialization state specified for it in the configuration. BY forces it into the

opposite state. Alternatively, these signals may be configured to operate asynchronously.

All control signals are independently invertible, and are shared by the two flip-flops within the slice.

**Additional Logic**

The F5 multiplexer in each slice combines the function generator outputs. This combination provides either a function generator that can implement any 5-input function, a 4:1 multiplexer, or selected functions of up to nine inputs.

Similarly, the F6 multiplexer combines the outputs of all four function generators in the CLB by selecting one of the F5-multiplexer outputs. This permits the implementation of any 6-input function, an 8:1 multiplexer, or selected functions of up to 19 inputs.

Each CLB has four direct feedthrough paths, one per LC. These paths provide extra data input lines or additional local routing that does not consume logic resources.

**Arithmetic Logic**

Dedicated carry logic provides capability for high-speed arithmetic functions. The Spartan-II FPGA CLB supports two separate carry chains, one per slice. The height of the carry chains is two bits per CLB.

The arithmetic logic includes an XOR gate that allows a 1-bit full adder to be implemented within an LC. In addition, a dedicated AND gate improves the efficiency of multiplier implementation.

The dedicated carry path can also be used to cascade function generators for implementing wide logic functions.

**BUFTs**

Each Spartan-II FPGA CLB contains two 3-state drivers (BUFTs) that can drive on-chip busses. See "Dedicated Routing," page 12. Each Spartan-II FPGA BUFT has an independent 3-state control pin and an independent input pin.

**Block RAM**

Spartan-II FPGAs incorporate several large block RAM memories. These complement the distributed RAM Look-Up Tables (LUTs) that provide shallow memory structures implemented in CLBs.

Block RAM memory blocks are organized in columns. All Spartan-II devices contain two such columns, one along each vertical edge. These columns extend the full height of the chip. Each memory block is four CLBs high, and consequently, a Spartan-II device eight CLBs high will contain two memory blocks per column, and a total of four blocks.

Table 5: Spartan-II Block RAM Amounts

Spartan-II Device	# of Blocks	Total Block RAM Bits
XC2S15	4	16K
XC2S30	6	24K
XC2S50	8	32K
XC2S100	10	40K
XC2S150	12	48K
XC2S200	14	56K

Each block RAM cell, as illustrated in Figure 5, is a fully synchronous dual-ported 4096-bit RAM with independent control signals for each port. The data widths of the two ports can be configured independently, providing built-in bus-width conversion.



DS001\_05\_060100

Figure 5: Dual-Port Block RAM

Table 6 shows the depth and width aspect ratios for the block RAM.

Table 6: Block RAM Port Aspect Ratios

Width	Depth	ADDR Bus	Data Bus
1	4096	ADDR<11:0>	DATA<0>
2	2048	ADDR<10:0>	DATA<1:0>
4	1024	ADDR<9:0>	DATA<3:0>
8	512	ADDR<8:0>	DATA<7:0>
16	256	ADDR<7:0>	DATA<15:0>

The Spartan-II FPGA block RAM also includes dedicated routing to provide an efficient interface with both CLBs and other block RAMs.

**Programmable Routing Matrix**

It is the longest delay path that limits the speed of any worst-case design. Consequently, the Spartan-II routing architecture and its place-and-route software were defined in a single optimization process. This joint optimization minimizes long-path delays, and consequently, yields the best system performance.

The joint optimization also reduces design compilation times because the architecture is software-friendly. Design cycles are correspondingly reduced due to shorter design iteration times.

### Local Routing

The local routing resources, as shown in Figure 6, provide the following three types of connections:

- Interconnections among the LUTs, flip-flops, and General Routing Matrix (GRM)
- Internal CLB feedback paths that provide high-speed connections to LUTs within the same CLB, chaining them together with minimal routing delay
- Direct paths that provide high-speed connections between horizontally adjacent CLBs, eliminating the delay of the GRM



DS001\_06\_032300

Figure 6: Spartan-II Local Routing

### General Purpose Routing

Most Spartan-II FPGA signals are routed on the general purpose routing, and consequently, the majority of interconnect resources are associated with this level of the routing hierarchy. The general routing resources are located in horizontal and vertical routing channels associated with the rows and columns CLBs. The general-purpose routing resources are listed below.

- Adjacent to each CLB is a General Routing Matrix (GRM). The GRM is the switch matrix through which horizontal and vertical routing resources connect, and is also the means by which the CLB gains access to the general purpose routing.
- 24 single-length lines route GRM signals to adjacent GRMs in each of the four directions.
- 96 buffered Hex lines route GRM signals to other GRMs six blocks away in each one of the four directions. Organized in a staggered pattern, Hex lines may be driven only at their endpoints. Hex-line signals can be accessed either at the endpoints or at the midpoint (three blocks from the source). One third of the Hex lines are bidirectional, while the remaining ones are unidirectional.
- 12 Longlines are buffered, bidirectional wires that distribute signals across the device quickly and

efficiently. Vertical Longlines span the full height of the device, and horizontal ones span the full width of the device.

### I/O Routing

Spartan-II devices have additional routing resources around their periphery that form an interface between the CLB array and the IOBs. This additional routing, called the VersaRing, facilitates pin-swapping and pin-locking, such that logic redesigns can adapt to existing PCB layouts. Time-to-market is reduced, since PCBs and other system components can be manufactured while the logic design is still in progress.

### Dedicated Routing

Some classes of signal require dedicated routing resources to maximize performance. In the Spartan-II architecture, dedicated routing resources are provided for two classes of signal.

- Horizontal routing resources are provided for on-chip 3-state busses. Four partitionable bus lines are provided per CLB row, permitting multiple busses within a row, as shown in Figure 7.
- Two dedicated nets per CLB propagate carry signals vertically to the adjacent CLB.

### Global Routing

Global Routing resources distribute clocks and other signals with very high fanout throughout the device. Spartan-II devices include two tiers of global routing resources referred to as primary and secondary global routing resources.

- The primary global routing resources are four dedicated global nets with dedicated input pins that are designed to distribute high-fanout clock signals with minimal skew. Each global clock net can drive all CLB, IOB, and block RAM clock pins. The primary global nets may only be driven by global buffers. There are four global buffers, one for each global net.
- The secondary global routing resources consist of 24 backbone lines, 12 across the top of the chip and 12 across bottom. From these lines, up to 12 unique signals per column can be distributed via the 12 longlines in the column. These secondary resources are more flexible than the primary resources since they are not restricted to routing only to clock pins.



DS001\_07\_090600

Figure 7: BUFT Connections to Dedicated Horizontal Bus Lines

### Clock Distribution

The Spartan-II family provides high-speed, low-skew clock distribution through the primary global routing resources described above. A typical clock distribution net is shown in Figure 8.

Four global buffers are provided, two at the top center of the device and two at the bottom center. These drive the four primary global nets that in turn drive any clock pin.

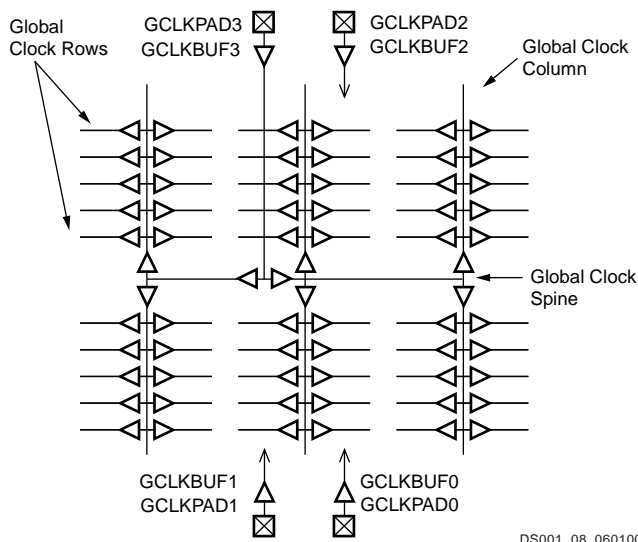
Four dedicated clock pads are provided, one adjacent to each of the global buffers. The input to the global buffer is selected either from these pads or from signals in the general purpose routing. Global clock pins do not have the option for internal, weak pull-up resistors.

networks. The DLL monitors the input clock and the distributed clock, and automatically adjusts a clock delay element. Additional delay is introduced such that clock edges reach internal flip-flops exactly one clock period after they arrive at the input. This closed-loop system effectively eliminates clock-distribution delay by ensuring that clock edges arrive at internal flip-flops in synchronism with clock edges arriving at the input.

In addition to eliminating clock-distribution delay, the DLL provides advanced control of multiple clock domains. The DLL provides four quadrature phases of the source clock, can double the clock, or divide the clock by 1.5, 2, 2.5, 3, 4, 5, 8, or 16. It has six outputs.

The DLL also operates as a clock mirror. By driving the output from a DLL off-chip and then back on again, the DLL can be used to deskew a board level clock among multiple Spartan-II devices.

In order to guarantee that the system clock is operating correctly prior to the FPGA starting up after configuration, the DLL can delay the completion of the configuration process until after it has achieved lock.



DS001\_08\_060100

Figure 8: Global Clock Distribution Network

### Delay-Locked Loop (DLL)

Associated with each global clock input buffer is a fully digital Delay-Locked Loop (DLL) that can eliminate skew between the clock input pad and internal clock-input pins throughout the device. Each DLL can drive two global clock

### Boundary Scan

Spartan-II devices support all the mandatory boundary-scan instructions specified in the IEEE standard 1149.1. A Test Access Port (TAP) and registers are provided that implement the EXTEST, SAMPLE/PRELOAD, and BYPASS instructions. The TAP also supports two USERCODE instructions and internal scan chains.

The TAP uses dedicated package pins that always operate using LVTTTL. For TDO to operate using LVTTTL, the V<sub>CCO</sub> for Bank 2 must be 3.3V. Otherwise, TDO switches rail-to-rail between ground and V<sub>CCO</sub>. TDI, TMS, and TCK have a default internal weak pull-up resistor, and TDO has no default resistor. Bitstream options allow setting any of the four TAP pins to have an internal pull-up, pull-down, or neither.

Boundary-scan operation is independent of individual IOB configurations, and unaffected by package type. All IOBs, including unbonded ones, are treated as independent 3-state bidirectional pins in a single scan chain. Retention of the bidirectional test capability after configuration facilitates the testing of external interconnections.

Table 7 lists the boundary-scan instructions supported in Spartan-II FPGAs. Internal signals can be captured during EXTEST by connecting them to unbonded or unused IOBs. They may also be connected to the unused outputs of IOBs defined as unidirectional input pins.

**Table 7: Boundary-Scan Instructions**

<b>Boundary-Scan Command</b>	<b>Binary Code[4:0]</b>	<b>Description</b>
EXTEST	00000	Enables boundary-scan EXTEST operation
SAMPLE	00001	Enables boundary-scan SAMPLE operation
USR1	00010	Access user-defined register 1
USR2	00011	Access user-defined register 2
CFG_OUT	00100	Access the configuration bus for Readback
CFG_IN	00101	Access the configuration bus for Configuration
INTEST	00111	Enables boundary-scan INTEST operation
USRCODE	01000	Enables shifting out USER code
IDCODE	01001	Enables shifting out of ID Code
HIZ	01010	Disables output pins while enabling the Bypass Register
JSTART	01100	Clock the start-up sequence when StartupClk is TCK
BYPASS	11111	Enables BYPASS
RESERVED	All other codes	Xilinx® reserved instructions

The public boundary-scan instructions are available prior to configuration. After configuration, the public instructions remain available together with any USERCODE instructions installed during the configuration. While the SAMPLE and BYPASS instructions are available during configuration, it is recommended that boundary-scan operations not be performed during this transitional period.

In addition to the test instructions outlined above, the boundary-scan circuitry can be used to configure the FPGA, and also to read back the configuration data.

To facilitate internal scan chains, the User Register provides three outputs (Reset, Update, and Shift) that represent the corresponding states in the boundary-scan internal state machine.

Figure 9 is a diagram of the Spartan-II family boundary scan logic. It includes three bits of Data Register per IOB, the IEEE 1149.1 Test Access Port controller, and the Instruction Register with decodes.



Figure 9: Spartan-II Family Boundary Scan Logic

**Bit Sequence**

The bit sequence within each IOB is: In, Out, 3-State. The input-only pins contribute only the In bit to the boundary scan I/O data register, while the output-only pins contributes all three bits.

From a cavity-up view of the chip (as shown in the FPGA Editor), starting in the upper right chip corner, the boundary scan data-register bits are ordered as shown in Figure 10.

BSDL (Boundary Scan Description Language) files for Spartan-II family devices are available on the Xilinx website, in the Downloads area.



DS001\_10\_032300

Figure 10: Boundary Scan Bit Sequence

## Development System

Spartan-II FPGAs are supported by the Xilinx ISE® development tools. The basic methodology for Spartan-II FPGA design consists of three interrelated steps: design entry, implementation, and verification. Industry-standard tools are used for design entry and simulation, while Xilinx provides proprietary architecture-specific tools for implementation.

The Xilinx development system is integrated under a single graphical interface, providing designers with a common user interface regardless of their choice of entry and verification tools. The software simplifies the selection of implementation options with pull-down menus and on-line help.

For HDL design entry, the Xilinx FPGA development system provides interfaces to several synthesis design environments.

A standard interface-file specification, Electronic Design Interchange Format (EDIF), simplifies file transfers into and out of the development system.

Spartan-II FPGAs supported by a unified library of standard functions. This library contains over 400 primitives and macros, ranging from 2-input AND gates to 16-bit accumulators, and includes arithmetic functions, comparators, counters, data registers, decoders, encoders, I/O functions, latches, Boolean functions, multiplexers, shift registers, and barrel shifters.

The design environment supports hierarchical design entry. These hierarchical design elements are automatically combined by the implementation tools. Different design entry tools can be combined within a hierarchical design, thus allowing the most convenient entry method to be used for each portion of the design.

## Design Implementation

The place-and-route tools (PAR) automatically provide the implementation flow described in this section. The partitioner takes the EDIF netlist for the design and maps the logic into the architectural resources of the FPGA (CLBs and IOBs, for example). The placer then determines the best locations for these blocks based on their interconnections and the desired performance. Finally, the router interconnects the blocks.

The PAR algorithms support fully automatic implementation of most designs. For demanding applications, however, the user can exercise various degrees of control over the process. User partitioning, placement, and routing information is optionally specified during the design-entry process. The implementation of highly structured designs can benefit greatly from basic floorplanning.

The implementation software incorporates timing-driven placement and routing. Designers specify timing requirements along entire paths during design entry. The timing path analysis routines in PAR then recognize these user-specified requirements and accommodate them.

Timing requirements are entered in a form directly relating to the system requirements, such as the targeted clock frequency, or the maximum allowable delay between two registers. In this way, the overall performance of the system along entire signal paths is automatically tailored to user-generated specifications. Specific timing information for individual nets is unnecessary.

## Design Verification

In addition to conventional software simulation, FPGA users can use in-circuit debugging techniques. Because Xilinx devices are infinitely reprogrammable, designs can be verified in real time without the need for extensive sets of software simulation vectors.

The development system supports both software simulation and in-circuit debugging techniques. For simulation, the system extracts the post-layout timing information from the design database, and back-annotates this information into the netlist for use by the simulator. Alternatively, the user can verify timing-critical portions of the design using the static timing analyzer.

For in-circuit debugging, the development system includes a download cable, which connects the FPGA in the target system to a PC or workstation. After downloading the design into the FPGA, the designer can read back the contents of the flip-flops, and so observe the internal logic state. Simple modifications can be downloaded into the system in a matter of minutes.



## Configuration

Configuration is the process by which the bitstream of a design, as generated by the Xilinx software, is loaded into the internal configuration memory of the FPGA. Spartan-II devices support both serial configuration, using the master/slave serial and JTAG modes, as well as byte-wide configuration employing the Slave Parallel mode.

### Configuration File

Spartan-II devices are configured by sequentially loading frames of data that have been concatenated into a configuration file. [Table 8](#) shows how much nonvolatile storage space is needed for Spartan-II devices.

It is important to note that, while a PROM is commonly used to store configuration data before loading them into the FPGA, it is by no means required. Any of a number of different kinds of under populated nonvolatile storage already available either on or off the board (i.e., hard drives, FLASH cards, etc.) can be used. For more information on configuration without a PROM, refer to [XAPP098, The Low-Cost, Efficient Serial Configuration of Spartan FPGAs](#).

**Table 8: Spartan-II Configuration File Size**

Device	Configuration File Size (Bits)
XC2S15	197,696
XC2S30	336,768
XC2S50	559,200
XC2S100	781,216
XC2S150	1,040,096
XC2S200	1,335,840

### Modes

Spartan-II devices support the following four configuration modes:

- Slave Serial mode
- Master Serial mode
- Slave Parallel mode
- Boundary-scan mode

The Configuration mode pins (M2, M1, M0) select among these configuration modes with the option in each case of having the IOB pins either pulled up or left floating prior to the end of configuration. The selection codes are listed in [Table 9](#).

Configuration through the boundary-scan port is always available, independent of the mode selection. Selecting the boundary-scan mode simply turns off the other modes. The three mode pins have internal pull-up resistors, and default to a logic High if left unconnected.

**Table 9: Configuration Modes**

Configuration Mode	Preconfiguration Pull-ups	M0	M1	M2	CCLK Direction	Data Width	Serial D <sub>OUT</sub>
Master Serial mode	No	0	0	0	Out	1	Yes
	Yes	0	0	1			
Slave Parallel mode	Yes	0	1	0	In	8	No
	No	0	1	1			
Boundary-Scan mode	Yes	1	0	0	N/A	1	No
	No	1	0	1			
Slave Serial mode	Yes	1	1	0	In	1	Yes
	No	1	1	1			

#### Notes:

1. During power-on and throughout configuration, the I/O drivers will be in a high-impedance state. After configuration, all unused I/Os (those not assigned signals) will remain in a high-impedance state. Pins used as outputs may pulse High at the end of configuration (see [Answer 10504](#)).
2. If the Mode pins are set for preconfiguration pull-ups, those resistors go into effect once the rising edge of INIT samples the Mode pins. They will stay in effect until GTS is released during startup, after which the UnusedPin bitstream generator option will determine whether the unused I/Os have a pull-up, pull-down, or no resistor.

## Signals

There are two kinds of pins that are used to configure Spartan-II devices: Dedicated pins perform only specific configuration-related functions; the other pins can serve as general purpose I/Os once user operation has begun.

The dedicated pins comprise the mode pins (M2, M1, M0), the configuration clock pin (CCLK), the  $\overline{\text{PROGRAM}}$  pin, the DONE pin and the boundary-scan pins (TDI, TDO, TMS, TCK). Depending on the selected configuration mode, CCLK may be an output generated by the FPGA, or may be generated externally, and provided to the FPGA as an input.

Note that some configuration pins can act as outputs. For correct operation, these pins require a  $V_{\text{CCO}}$  of 3.3V to drive an LVTTTL signal or 2.5V to drive an LVCMOS signal. All the relevant pins fall in banks 2 or 3. The  $\overline{\text{CS}}$  and  $\overline{\text{WRITE}}$  pins for Slave Parallel mode are located in bank 1.

For a more detailed description than that given below, see "Pinout Tables" in Module 4 and [XAPP176](#), *Spartan-II FPGA Series Configuration and Readback*.

## The Process

The sequence of steps necessary to configure Spartan-II devices are shown in Figure 11. The overall flow can be divided into three different phases.

- Initiating Configuration
- Configuration memory clear
- Loading data frames
- Start-up

The memory clearing and start-up phases are the same for all configuration modes; however, the steps for the loading of data frames are different. Thus, the details for data frame loading are described separately in the sections devoted to each mode.

### Initiating Configuration

There are two different ways to initiate the configuration process: applying power to the device or asserting the  $\overline{\text{PROGRAM}}$  input.

Configuration on power-up occurs automatically unless it is delayed by the user, as described in a separate section below. The waveform for configuration on power-up is shown in Figure 12, page 19. Before configuration can begin,  $V_{\text{CCO}}$  Bank 2 must be greater than 1.0V. Furthermore, all  $V_{\text{CCINT}}$  power pins must be connected to a 2.5V supply. For more information on delaying configuration, see "Clearing Configuration Memory," page 19.

Once in user operation, the device can be re-configured simply by pulling the  $\overline{\text{PROGRAM}}$  pin Low. The device acknowledges the beginning of the configuration process

by driving DONE Low, then enters the memory-clearing phase.



DS001\_11\_111501

Figure 11: Configuration Flow Diagram



DS001\_12\_102301

Symbol	Description	Min	Max
$T_{POR}$	Power-on reset	-	2 ms
$T_{PL}$	Program latency	-	100 $\mu$ s
$T_{ICCK}$	CCLK output delay (Master Serial mode only)	0.5 $\mu$ s	4 $\mu$ s
$T_{PROGRAM}$	Program pulse width	300 ns	-

**Notes: (referring to waveform above:)**

1. Before configuration can begin,  $V_{CCINT}$  must be greater than 1.6V and  $V_{CCO}$  Bank 2 must be greater than 1.0V.

Figure 12: Configuration Timing on Power-Up

**Clearing Configuration Memory**

The device indicates that clearing the configuration memory is in progress by driving  $\overline{INIT}$  Low. At this time, the user can delay configuration by holding either  $\overline{PROGRAM}$  or  $\overline{INIT}$  Low, which causes the device to remain in the memory clearing phase. Note that the bidirectional  $\overline{INIT}$  line is driving a Low logic level during memory clearing. To avoid contention, use an open-drain driver to keep  $\overline{INIT}$  Low.

With no delay in force, the device indicates that the memory is completely clear by driving  $\overline{INIT}$  High. The FPGA samples its mode pins on this Low-to-High transition.

**Loading Configuration Data**

Once  $\overline{INIT}$  is High, the user can begin loading configuration data frames into the device. The details of loading the configuration data are discussed in the sections treating the configuration modes individually. The sequence of operations necessary to load configuration data using the serial modes is shown in Figure 14. Loading data using the Slave Parallel mode is shown in Figure 19, page 25.

**CRC Error Checking**

During the loading of configuration data, a CRC value embedded in the configuration file is checked against a CRC value calculated within the FPGA. If the CRC values

do not match, the FPGA drives  $\overline{INIT}$  Low to indicate that a frame error has occurred and configuration is aborted.

To reconfigure the device, the  $\overline{PROGRAM}$  pin should be asserted to reset the configuration logic. Recycling power also resets the FPGA for configuration. See "Clearing Configuration Memory".

**Start-up**

The start-up sequence oversees the transition of the FPGA from the configuration state to full user operation. A match of CRC values, indicating a successful loading of the configuration data, initiates the sequence.

During start-up, the device performs four operations:

1. The assertion of DONE. The failure of DONE to go High may indicate the unsuccessful loading of configuration data.
2. The release of the Global Three State net. This activates I/Os to which signals are assigned. The remaining I/Os stay in a high-impedance state with internal weak pull-down resistors present.
3. Negates Global Set Reset (GSR). This allows all flip-flops to change state.
4. The assertion of Global Write Enable (GWE). This allows all RAMs and flip-flops to change state.

By default, these operations are synchronized to CCLK. The entire start-up sequence lasts eight cycles, called C0-C7, after which the loaded design is fully functional. The default timing for start-up is shown in the top half of Figure 13. The four operations can be selected to switch on any CCLK cycle C1-C6 through settings in the Xilinx software. Heavy lines show default settings.



Figure 13: Start-Up Waveforms

The bottom half of Figure 13 shows another commonly used version of the start-up timing known as Sync-to-DONE. This version makes the GTS, GSR, and GWE events conditional upon the DONE pin going High. This timing is important for a daisy chain of multiple FPGAs in serial mode, since it ensures that all FPGAs go through start-up together, after all their DONE pins have gone High.

Sync-to-DONE timing is selected by setting the GTS, GSR, and GWE cycles to a value of DONE in the configuration options. This causes these signals to transition one clock cycle after DONE externally transitions High.

## Serial Modes

There are two serial configuration modes: In Master Serial mode, the FPGA controls the configuration process by driving CCLK as an output. In Slave Serial mode, the FPGA passively receives CCLK as an input from an external agent (e.g., a microprocessor, CPLD, or second FPGA in master mode) that is controlling the configuration process. In both modes, the FPGA is configured by loading one bit per CCLK cycle. The MSB of each configuration data byte is always written to the DIN pin first.

See Figure 14 for the sequence for loading data into the Spartan-II FPGA serially. This is an expansion of the "Load Configuration Data Frames" block in Figure 11. Note that CS and WRITE normally are not used during serial configuration. To ensure successful loading of the FPGA, do not toggle WRITE with CS Low during serial configuration.

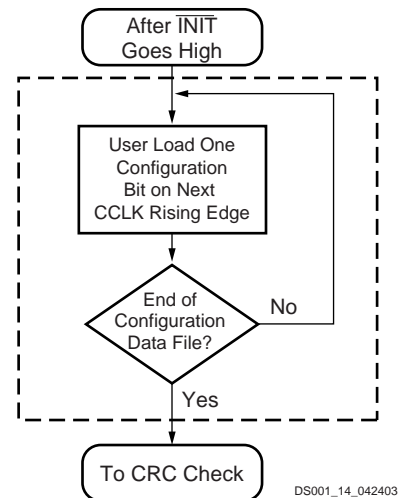


Figure 14: Loading Serial Mode Configuration Data

**Slave Serial Mode**

In Slave Serial mode, the FPGA's CCLK pin is driven by an external source, allowing FPGAs to be configured from other logic devices such as microprocessors or in a daisy-chain configuration. Figure 15 shows connections for a Master Serial FPGA configuring a Slave Serial FPGA from a PROM. A Spartan-II device in slave serial mode should be connected as shown for the third device from the left. Slave Serial mode is selected by a <11x> on the mode pins (M0, M1, M2).

Figure 16 shows the timing for Slave Serial configuration. The serial bitstream must be setup at the DIN input pin a short time before each rising edge of an externally generated CCLK.

Multiple FPGAs in Slave Serial mode can be daisy-chained for configuration from a single source. The maximum amount of data that can be sent to the DOUT pin for a serial daisy chain is  $2^{20}-1$  (1,048,575) 32-bit words, or 33,554,400 bits, which is approximately 25 XC2S200 bitstreams. The configuration bitstream of downstream devices is limited to this size.

After an FPGA is configured, data for the next device is routed to the DOUT pin. Data on the DOUT pin changes on the rising edge of CCLK. Configuration must be delayed until  $\overline{INIT}$  pins of all daisy-chained FPGAs are High. For more information, see "Start-up," page 19.



DS001\_15\_060608

**Notes:**

1. If the DriveDone configuration option is not active for any of the FPGAs, pull up DONE with a 330Ω resistor.

Figure 15: Master/Slave Serial Configuration Circuit Diagram



DS001\_16\_032300

Symbol		Description		Units
$T_{DCC}$	CCLK	DIN setup	5	ns, min
$T_{CCD}$		DIN hold	0	ns, min
$T_{CCO}$		DOUT	12	ns, max
$T_{CCH}$		High time	5	ns, min
$T_{CCL}$		Low time	5	ns, min
$F_{CC}$		Maximum frequency	66	MHz, max

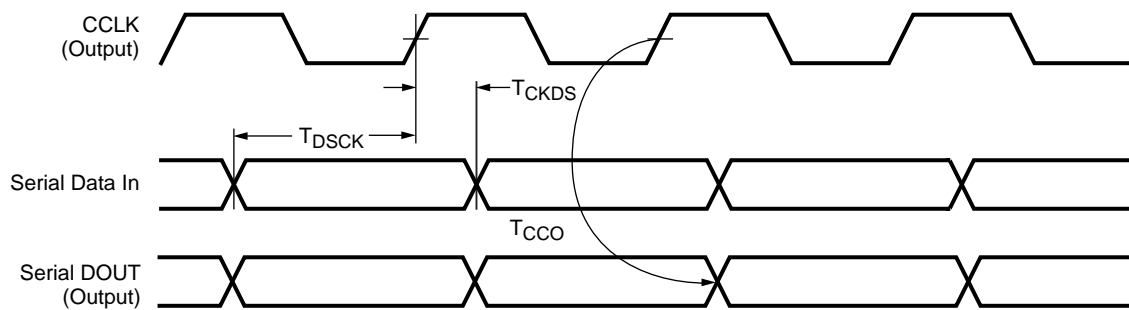
Figure 16: Slave Serial Mode Timing

### Master Serial Mode

In Master Serial mode, the CCLK output of the FPGA drives a Xilinx PROM which feeds a serial stream of configuration data to the FPGA's DIN input. Figure 15 shows a Master Serial FPGA configuring a Slave Serial FPGA from a PROM. A Spartan-II device in Master Serial mode should be connected as shown for the device on the left side. Master Serial mode is selected by a <00x> on the mode pins (M0, M1, M2). The PROM RESET pin is driven by  $\overline{INIT}$ , and CE input is driven by DONE. The interface is identical to the slave serial mode except that an oscillator internal to the FPGA is used to generate the configuration clock (CCLK). Any of a number of different frequencies ranging from 4 to 60 MHz can be set using the ConfigRate option in the Xilinx software. On power-up, while the first 60 bytes of

the configuration data are being loaded, the CCLK frequency is always 2.5 MHz. This frequency is used until the ConfigRate bits, part of the configuration file, have been loaded into the FPGA, at which point, the frequency changes to the selected ConfigRate. Unless a different frequency is specified in the design, the default ConfigRate is 4 MHz. The frequency of the CCLK signal created by the internal oscillator has a variance of +45%, -30% from the specified value.

Figure 17 shows the timing for Master Serial configuration. The FPGA accepts one bit of configuration data on each rising CCLK edge. After the FPGA has been loaded, the data for the next device in a daisy-chain is presented on the DOUT pin after the rising CCLK edge.



DS001\_17\_110101

Symbol		Description		Units
T <sub>DSCK</sub>	CCLK	DIN setup	5.0	ns, min
T <sub>CKDS</sub>		DIN hold	0.0	ns, min
		Frequency tolerance with respect to nominal	+45%, -30%	-

Figure 17: Master Serial Mode Timing

### Slave Parallel Mode

The Slave Parallel mode is the fastest configuration option. Byte-wide data is written into the FPGA. A BUSY flag is provided for controlling the flow of data at a clock frequency F<sub>CCNH</sub> above 50 MHz.

Figure 18, page 24 shows the connections for two Spartan-II devices using the Slave Parallel mode. Slave Parallel mode is selected by a <011> on the mode pins (M0, M1, M2).

If a configuration file of the format .bit, .rbit, or non-swapped HEX is used for parallel programming, then the most significant bit (i.e. the left-most bit of each configuration byte, as displayed in a text editor) must be routed to the D0 input on the FPGA.

The agent controlling configuration is not shown. Typically, a processor, a microcontroller, or CPLD controls the Slave Parallel interface. The controlling agent provides byte-wide configuration data, CCLK, a Chip Select ( $\overline{CS}$ ) signal and a Write signal ( $\overline{WRITE}$ ). If BUSY is asserted (High) by the FPGA, the data must be held until BUSY goes Low.

After configuration, the pins of the Slave Parallel port (D0-D7) can be used as additional user I/O. Alternatively, the port may be retained to permit high-speed 8-bit readback. Then data can be read by de-asserting  $\overline{WRITE}$ . See "Readback," page 25.



DS001\_18\_060608

Figure 18: Slave Parallel Configuration Circuit Diagram

Multiple Spartan-II FPGAs can be configured using the Slave Parallel mode, and be made to start-up simultaneously. To configure multiple devices in this way, wire the individual CCLK, Data,  $\overline{\text{WRITE}}$ , and BUSY pins of all the devices in parallel. The individual devices are loaded separately by asserting the  $\overline{\text{CS}}$  pin of each device in turn and writing the appropriate data. Sync-to-DONE start-up timing is used to ensure that the start-up sequence does not begin until all the FPGAs have been loaded. See "Start-up," page 19.

### Write

When using the Slave Parallel Mode, write operations send packets of byte-wide configuration data into the FPGA. Figure 19, page 25 shows a flowchart of the write sequence used to load data into the Spartan-II FPGA. This is an expansion of the "Load Configuration Data Frames" block in Figure 11, page 18. The timing for write operations is shown in Figure 20, page 26.

For the present example, the user holds  $\overline{\text{WRITE}}$  and  $\overline{\text{CS}}$  Low throughout the sequence of write operations. Note that when  $\overline{\text{CS}}$  is asserted on successive CCLKs,  $\overline{\text{WRITE}}$  must remain either asserted or de-asserted. Otherwise an abort will be initiated, as in the next section.

1. Drive data onto D0-D7. Note that to avoid contention, the data source should not be enabled while  $\overline{\text{CS}}$  is Low and  $\overline{\text{WRITE}}$  is High. Similarly, while  $\overline{\text{WRITE}}$  is High, no more than one device's  $\overline{\text{CS}}$  should be asserted.
2. On the rising edge of CCLK: If BUSY is Low, the data is accepted on this clock. If BUSY is High (from a previous write), the data is not accepted. Acceptance will instead occur on the first clock after BUSY goes Low, and the data must be held until this happens.
3. Repeat steps 1 and 2 until all the data has been sent.
4. De-assert  $\overline{\text{CS}}$  and  $\overline{\text{WRITE}}$ .



If CCLK is slower than  $F_{CCNH}$ , the FPGA will never assert BUSY. In this case, the above handshake is unnecessary, and data can simply be entered into the FPGA every CCLK cycle.



DS001\_19\_032300

Figure 19: Loading Configuration Data for the Slave Parallel Mode

A configuration packet does not have to be written in one continuous stretch, rather it can be split into many write sequences. Each sequence would involve assertion of  $\overline{CS}$ .

In applications where multiple clock cycles may be required to access the configuration data before each byte can be loaded into the Slave Parallel interface, a new byte of data may not be ready for each consecutive CCLK edge. In such a case the  $\overline{CS}$  signal may be de-asserted until the next byte is valid on D0-D7. While  $\overline{CS}$  is High, the Slave Parallel

interface does not expect any data and ignores all CCLK transitions. However, to avoid aborting configuration,  $\overline{WRITE}$  must continue to be asserted while  $\overline{CS}$  is asserted.

**Abort**

To abort configuration during a write sequence, de-assert  $\overline{WRITE}$  while holding  $\overline{CS}$  Low. The abort operation is initiated at the rising edge of CCLK, as shown in Figure 21, page 26. The device will remain BUSY until the aborted operation is complete. After aborting configuration, data is assumed to be unaligned to word boundaries and the FPGA requires a new synchronization word prior to accepting any new packets.

**Boundary-Scan Mode**

In the boundary-scan mode, no nondedicated pins are required, configuration being done entirely through the IEEE 1149.1 Test Access Port.

Configuration through the TAP uses the special CFG\_IN instruction. This instruction allows data input on TDI to be converted into data packets for the internal configuration bus.

The following steps are required to configure the FPGA through the boundary-scan port.

1. Load the CFG\_IN instruction into the boundary-scan instruction register (IR)
2. Enter the Shift-DR (SDR) state
3. Shift a standard configuration bitstream into TDI
4. Return to Run-Test-Idle (RTI)
5. Load the JSTART instruction into IR
6. Enter the SDR state
7. Clock TCK through the sequence (the length is programmable)
8. Return to RTI

Configuration and readback via the TAP is always available. The boundary-scan mode simply locks out the other modes. The boundary-scan mode is selected by a <10x> on the mode pins (M0, M1, M2).

**Readback**

The configuration data stored in the Spartan-II FPGA configuration memory can be readback for verification. Along with the configuration data it is possible to readback the contents of all flip-flops/latches, LUT RAMs, and block RAMs. This capability is used for real-time debugging.

For more detailed information see [XAPP176](#), *Spartan-II FPGA Family Configuration and Readback*.



DS001\_20\_061200

Symbol		Description		Units
T <sub>SMDCC</sub>	CCLK	D0-D7 setup/hold	5	ns, min
T <sub>SMCCD</sub>		D0-D7 hold	0	ns, min
T <sub>SMCSCC</sub>		$\overline{CS}$ setup	7	ns, min
T <sub>SMCCCS</sub>		$\overline{CS}$ hold	0	ns, min
T <sub>SMCCW</sub>		$\overline{WRITE}$ setup	7	ns, min
T <sub>SMWCC</sub>		$\overline{WRITE}$ hold	0	ns, min
T <sub>SMCKBY</sub>		BUSY propagation delay	12	ns, max
F <sub>CC</sub>		Maximum frequency	66	MHz, max
F <sub>CCNH</sub>		Maximum frequency with no handshake	50	MHz, max

Figure 20: Slave Parallel Write Timing



DS001\_21\_032300

Figure 21: Slave Parallel Write Abort Waveforms

## Design Considerations

This section contains more detailed design information on the following features:

- Delay-Locked Loop . . . see [page 27](#)
- Block RAM . . . see [page 32](#)
- Versatile I/O . . . see [page 36](#)

## Using Delay-Locked Loops

The Spartan-II FPGA family provides up to four fully digital dedicated on-chip Delay-Locked Loop (DLL) circuits which provide zero propagation delay, low clock skew between output clock signals distributed throughout the device, and advanced clock domain control. These dedicated DLLs can be used to implement several circuits that improve and simplify system level design.

### Introduction

Quality on-chip clock distribution is important. Clock skew and clock delay impact device performance and the task of managing clock skew and clock delay with conventional clock trees becomes more difficult in large devices. The Spartan-II family of devices resolve this potential problem by providing up to four fully digital dedicated on-chip Delay-Locked Loop (DLL) circuits which provide zero propagation delay and low clock skew between output clock signals distributed throughout the device.

Each DLL can drive up to two global clock routing networks within the device. The global clock distribution network minimizes clock skews due to loading differences. By monitoring a sample of the DLL output clock, the DLL can compensate for the delay on the routing network, effectively eliminating the delay from the external input port to the individual clock loads within the device.

In addition to providing zero delay with respect to a user source clock, the DLL can provide multiple phases of the source clock. The DLL can also act as a clock doubler or it can divide the user source clock by up to 16.

Clock multiplication gives the designer a number of design alternatives. For instance, a 50 MHz source clock doubled by the DLL can drive an FPGA design operating at 100 MHz. This technique can simplify board design because the clock path on the board no longer distributes such a high-speed signal. A multiplied clock also provides designers the option of time-domain-multiplexing, using one circuit twice per clock cycle, consuming less area than two copies of the same circuit.

The DLL can also act as a clock mirror. By driving the DLL output off-chip and then back in again, the DLL can be used to de-skew a board level clock between multiple devices.

In order to guarantee the system clock establishes prior to the device "waking up," the DLL can delay the completion of

the device configuration process until after the DLL achieves lock.

By taking advantage of the DLL to remove on-chip clock delay, the designer can greatly simplify and improve system level design involving high-fanout, high-performance clocks.

## Library DLL Primitives

Figure 22 shows the simplified Xilinx library DLL macro, BUFGDLL. This macro delivers a quick and efficient way to provide a system clock with zero propagation delay throughout the device. Figure 23 and Figure 24 show the two library DLL primitives. These primitives provide access to the complete set of DLL features when implementing more complex applications.



DS001\_22\_032300

Figure 22: Simplified DLL Macro BUFGDLL



DS001\_23\_032300

Figure 23: Standard DLL Primitive CLKDLL

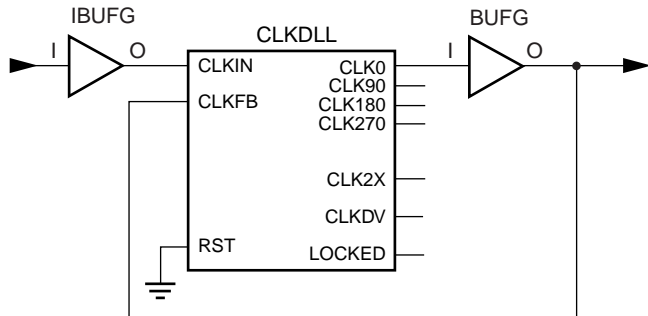


DS001\_24\_032300

Figure 24: High-Frequency DLL Primitive CLKDLLHF

## BUFGDLL Pin Descriptions

Use the BUFGDLL macro as the simplest way to provide zero propagation delay for a high-fanout on-chip clock from an external input. This macro uses the IBUFG, CLKDLL and BUFG primitives to implement the most basic DLL application as shown in Figure 25.



DS001\_25\_032300

Figure 25: BUFGDLL Block Diagram

This macro does not provide access to the advanced clock domain controls or to the clock multiplication or clock division features of the DLL. This macro also does not provide access to the RST or LOCKED pins of the DLL. For access to these features, a designer must use the DLL primitives described in the following sections.

### Source Clock Input — I

The I pin provides the user source clock, the clock signal on which the DLL operates, to the BUFGDLL. For the BUFGDLL macro the source clock frequency must fall in the low frequency range as specified in the data sheet. The BUFGDLL requires an external signal source clock. Therefore, only an external input port can source the signal that drives the BUFGDLL I pin.

### Clock Output — O

The clock output pin O represents a delay-compensated version of the source clock (I) signal. This signal, sourced by a global clock buffer BUFG primitive, takes advantage of the dedicated global clock routing resources of the device.

The output clock has a 50/50 duty cycle unless you deactivate the duty cycle correction property.

## CLKDLL Primitive Pin Descriptions

The library CLKDLL primitives provide access to the complete set of DLL features needed when implementing more complex applications with the DLL.

### Source Clock Input — CLKIN

The CLKIN pin provides the user source clock (the clock signal on which the DLL operates) to the DLL. The CLKIN frequency must fall in the ranges specified in the data sheet. A global clock buffer (BUFG) driven from another CLKDLL

or one of the global clock input buffers (IBUFG) on the same edge of the device (top or bottom) must source this clock signal.

### Feedback Clock Input — CLKFB

The DLL requires a reference or feedback signal to provide the delay-compensated output. Connect only the CLK0 or CLK2X DLL outputs to the feedback clock input (CLKFB) pin to provide the necessary feedback to the DLL. Either a global clock buffer (BUFG) or one of the global clock input buffers (IBUFG) on the same edge of the device (top or bottom) must source this clock signal.

If an IBUFG sources the CLKFB pin, the following special rules apply.

1. An external input port must source the signal that drives the IBUFG I pin.
2. The CLK2X output must feed back to the device if both the CLK0 and CLK2X outputs are driving off chip devices.
3. That signal must directly drive only OBUFs and nothing else.

These rules enable the software to determine which DLL clock output sources the CLKFB pin.

### Reset Input — RST

When the reset pin RST activates, the LOCKED signal deactivates within four source clock cycles. The RST pin, active High, must either connect to a dynamic signal or be tied to ground. As the DLL delay taps reset to zero, glitches can occur on the DLL clock output pins. Activation of the RST pin can also severely affect the duty cycle of the clock output pins. Furthermore, the DLL output clocks no longer deskew with respect to one another. The DLL must be reset when the input clock frequency changes, if the device is reconfigured in Boundary-Scan mode, if the device undergoes a hot swap, and after the device is configured if the input clock is not stable during the startup sequence.

### 2x Clock Output — CLK2X

The output pin CLK2X provides a frequency-doubled clock with an automatic 50/50 duty-cycle correction. Until the CLKDLL has achieved lock, the CLK2X output appears as a 1x version of the input clock with a 25/75 duty cycle. This behavior allows the DLL to lock on the correct edge with respect to source clock. This pin is not available on the CLKDLLHF primitive.

### Clock Divide Output — CLKDV

The clock divide output pin CLKDV provides a lower frequency version of the source clock. The CLKDV\_DIVIDE property controls CLKDV such that the source clock is divided by N where N is either 1.5, 2, 2.5, 3, 4, 5, 8, or 16.

This feature provides automatic duty cycle correction. The CLKDV output pin has a 50/50 duty cycle for all values of the

division factor N except for non-integer division in High Frequency (HF) mode. For division factor 1.5 the duty cycle in the HF mode is 33.3% High and 66.7% Low. For division factor 2.5, the duty cycle in the HF mode is 40.0% High and 60.0% Low.

**1x Clock Outputs — CLK[0/90/180/270]**

The 1x clock output pin CLK0 represents a delay-compensated version of the source clock (CLKIN) signal. The CLKDLL primitive provides three phase-shifted versions of the CLK0 signal while CLKDLLHF provides only the 180 degree phase-shifted version. The relationship between phase shift and the corresponding period shift appears in Table 10.

The timing diagrams in Figure 26 illustrate the DLL clock output characteristics.

Table 10: Relationship of Phase-Shifted Output Clock to Period Shift

Phase (degrees)	Period Shift (percent)
0	0%
90	25%
180	50%
270	75%

The DLL provides duty cycle correction on all 1x clock outputs such that all 1x clock outputs by default have a 50/50 duty cycle. The DUTY\_CYCLE\_CORRECTION property (TRUE by default), controls this feature. In order to deactivate the DLL duty cycle correction, attach the DUTY\_CYCLE\_CORRECTION=FALSE property to the DLL primitive. When duty cycle correction deactivates, the output clock has the same duty cycle as the source clock.

The DLL clock outputs can drive an OBUF, a BUFG, or they can route directly to destination clock pins. The DLL clock outputs can only drive the BUFGs that reside on the same edge (top or bottom).

**Locked Output — LOCKED**

In order to achieve lock, the DLL may need to sample several thousand clock cycles. After the DLL achieves lock the LOCKED signal activates. The "DLL Timing Parameters" section of Module 3 provides estimates for locking times.

In order to guarantee that the system clock is established prior to the device "waking up," the DLL can delay the completion of the device configuration process until after the DLL locks. The STARTUP\_WAIT property activates this feature.

Until the LOCKED signal activates, the DLL output clocks are not valid and can exhibit glitches, spikes, or other

spurious movement. In particular the CLK2X output will appear as a 1x clock with a 25/75 duty cycle.

**DLL Properties**

Properties provide access to some of the Spartan-II family DLL features, (for example, clock division and duty cycle correction).

**Duty Cycle Correction Property**

The 1x clock outputs, CLK0, CLK90, CLK180, and CLK270, use the duty-cycle corrected default, such that they exhibit a 50/50 duty cycle. The DUTY\_CYCLE\_CORRECTION property (by default TRUE) controls this feature. To deactivate the DLL duty-cycle correction for the 1x clock outputs, attach the DUTY\_CYCLE\_CORRECTION=FALSE property to the DLL primitive.



DS001\_26\_032300

Figure 26: DLL Output Characteristics

**Clock Divide Property**

The CLKDV\_DIVIDE property specifies how the signal on the CLKDV pin is frequency divided with respect to the CLK0 pin. The values allowed for this property are 1.5, 2, 2.5, 3, 4, 5, 8, or 16; the default value is 2.

### Startup Delay Property

This property, STARTUP\_WAIT, takes on a value of TRUE or FALSE (the default value). When TRUE the Startup Sequence following device configuration is paused at a user-specified point until the DLL locks. [XAPP176: Configuration and Readback of the Spartan-II and Spartan-II E Families](#) explains how this can result in delaying the assertion of the DONE pin until the DLL locks.

### DLL Location Constraints

The DLLs are distributed such that there is one DLL in each corner of the device. The location constraint LOC, attached to the DLL primitive with the numeric identifier 0, 1, 2, or 3, controls DLL location. The orientation of the four DLLs and their corresponding clock resources appears in [Figure 27](#).

The LOC property uses the following form.

$$LOC = DLL2$$



DS001\_27\_061308

Figure 27: Orientation of DLLs

### Design Considerations

Use the following design considerations to avoid pitfalls and improve success designing with Xilinx devices.

#### Input Clock

The output clock signal of a DLL, essentially a delayed version of the input clock signal, reflects any instability on the input clock in the output waveform. For this reason the quality of the DLL input clock relates directly to the quality of the output clock waveforms generated by the DLL. The DLL input clock requirements are specified in the "[DLL Timing Parameters](#)" section of the data sheet.

In most systems a crystal oscillator generates the system clock. The DLL can be used with any commercially available quartz crystal oscillator. For example, most crystal oscillators produce an output waveform with a frequency tolerance of 100 PPM, meaning 0.01 percent change in the

clock period. The DLL operates reliably on an input waveform with a frequency drift of up to 1 ns — orders of magnitude in excess of that needed to support any crystal oscillator in the industry. However, the cycle-to-cycle jitter must be kept to less than 300 ps in the low frequencies and 150 ps for the high frequencies.

#### Input Clock Changes

Changing the period of the input clock beyond the maximum drift amount requires a manual reset of the CLKDLL. Failure to reset the DLL will produce an unreliable lock signal and output clock.

It is possible to stop the input clock in a way that has little impact to the DLL. Stopping the clock should be limited to less than approximately 100 μs to keep device cooling to a minimum and maintain the validity of the current tap setting. The clock should be stopped during a Low phase, and when restored the full High period should be seen. During this time LOCKED will stay High and remain High when the clock is restored. If these conditions may not be met in the design, apply a manual reset to the DLL after re-starting the input clock, even if the LOCKED signal has not changed.

When the clock is stopped, one to four more clocks will still be observed as the delay line is flushed. When the clock is restarted, the output clocks will not be observed for one to four clocks as the delay line is filled. The most common case will be two or three clocks.

In a similar manner, a phase shift of the input clock is also possible. The phase shift will propagate to the output one to four clocks after the original shift, with no disruption to the CLKDLL control.

#### Output Clocks

As mentioned earlier in the DLL pin descriptions, some restrictions apply regarding the connectivity of the output pins. The DLL clock outputs can drive an OBUF, a global clock buffer BUFG, or route directly to destination clock pins. The only BUFGs that the DLL clock outputs can drive are the two on the same edge of the device (top or bottom). One DLL output can drive more than one OBUF; however, this adds skew.

Do not use the DLL output clock signals until after activation of the LOCKED signal. Prior to the activation of the LOCKED signal, the DLL output clocks are not valid and can exhibit glitches, spikes, or other spurious movement.

### Useful Application Examples

The Spartan-II FPGA DLL can be used in a variety of creative and useful applications. The following examples show some of the more common applications.

#### Standard Usage

The circuit shown in Figure 28 resembles the BUFGDLL macro implemented to provide access to the RST and LOCKED pins of the CLKDLL.

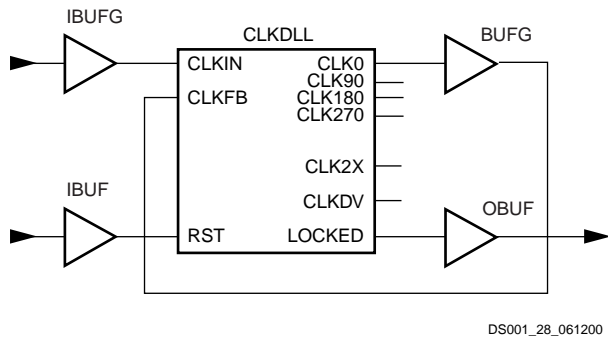


Figure 28: Standard DLL Implementation

#### Deskew of Clock and Its 2x Multiple

The circuit shown in Figure 29 implements a 2x clock multiplier and also uses the CLK0 clock output with zero ns skew between registers on the same chip. A clock divider circuit could alternatively be implemented using similar connections.

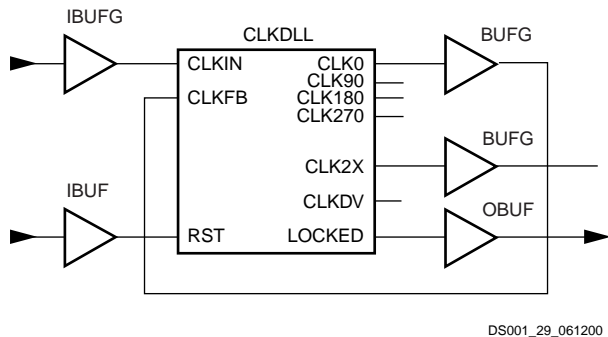


Figure 29: DLL Deskew of Clock and 2x Multiple

Because any single DLL can only access at most two BUFGs, any additional output clock signals must be routed from the DLL in this example on the high speed backbone routing.

#### Generating a 4x Clock

By connecting two DLL circuits each implementing a 2x clock multiplier in series as shown in Figure 30, a 4x clock multiply can be implemented with zero skew between registers in the same device.

If other clock output is needed, the clock could access a BUFG only if the DLLs are constrained to exist on opposite edges (Top or Bottom) of the device.

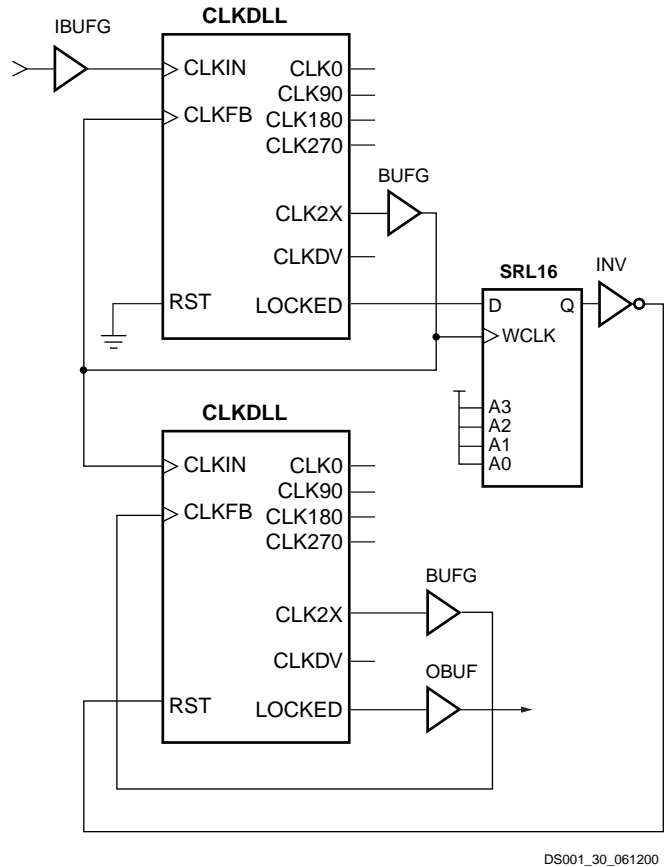


Figure 30: DLL Generation of 4x Clock

When using this circuit it is vital to use the SRL16 cell to reset the second DLL after the initial chip reset. If this is not done, the second DLL may not recognize the change of frequencies from when the input changes from a 1x (25/75) waveform to a 2x (50/50) waveform. It is not recommended to cascade more than two DLLs.

For design examples and more information on using the DLL, see [XAPP174](#), *Using Delay-Locked Loops in Spartan-II FPGAs*.

## Using Block RAM Features

The Spartan-II FPGA family provides dedicated blocks of on-chip, true dual-read/write port synchronous RAM, with 4096 memory cells. Each port of the block RAM memory can be independently configured as a read/write port, a read port, a write port, and can be configured to a specific data width. The block RAM memory offers new capabilities allowing the FPGA designer to simplify designs.

### Operating Modes

Block RAM memory supports two operating modes.

- Read Through
- Write Back

#### Read Through (One Clock Edge)

The read address is registered on the read port clock edge and data appears on the output after the RAM access time. Some memories may place the latch/register at the outputs depending on the desire to have a faster clock-to-out versus setup time. This is generally considered to be an inferior solution since it changes the read operation to an asynchronous function with the possibility of missing an address/control line transition during the generation of the read pulse clock.

#### Write Back (One Clock Edge)

The write address is registered on the write port clock edge and the data input is written to the memory and mirrored on the write port input.

### Block RAM Characteristics

1. All inputs are registered with the port clock and have a setup to clock timing specification.
2. All outputs have a read through or write back function depending on the state of the port WE pin. The outputs relative to the port clock are available after the clock-to-out timing specification.
3. The block RAM are true SRAM memories and do not have a combinatorial path from the address to the output. The LUT cells in the CLBs are still available with this function.
4. The ports are completely independent from each other (*i.e.*, clocking, control, address, read/write function, and data width) without arbitration.
5. A write operation requires only one clock edge.
6. A read operation requires only one clock edge.

The output ports are latched with a self timed circuit to guarantee a glitch free read. The state of the output port will not change until the port executes another read or write operation.

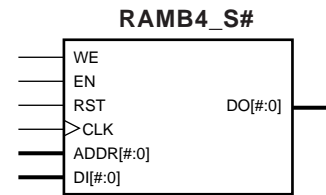
## Library Primitives

Figure 31 and Figure 32 show the two generic library block RAM primitives. Table 11 describes all of the available primitives for synthesis and simulation.



DS001\_31\_061200

Figure 31: Dual-Port Block RAM Memory



DS001\_32\_061200

Figure 32: Single-Port Block RAM Memory

Table 11: Available Library Primitives

Primitive	Port A Width	Port B Width
RAMB4_S1	1	N/A
RAMB4_S1_S1		1
RAMB4_S1_S2		2
RAMB4_S1_S4		4
RAMB4_S1_S8		8
RAMB4_S1_S16		16
RAMB4_S2	2	N/A
RAMB4_S2_S2		2
RAMB4_S2_S4		4
RAMB4_S2_S8		8
RAMB4_S2_S16		16



Table 11: Available Library Primitives

Primitive	Port A Width	Port B Width
RAMB4_S4	4	N/A
RAMB4_S4_S4		4
RAMB4_S4_S8		8
RAMB4_S4_S16		16
RAMB4_S8	8	N/A
RAMB4_S8_S8		8
RAMB4_S8_S16		16
RAMB4_S16	16	N/A
RAMB4_S16_S16		16

### Port Signals

Each block RAM port operates independently of the others while accessing the same set of 4096 memory cells.

Table 12 describes the depth and width aspect ratios for the block RAM memory.

Table 12: Block RAM Port Aspect Ratios

Width	Depth	ADDR Bus	Data Bus
1	4096	ADDR<11:0>	DATA<0>
2	2048	ADDR<10:0>	DATA<1:0>
4	1024	ADDR<9:0>	DATA<3:0>
8	512	ADDR<8:0>	DATA<7:0>
16	256	ADDR<7:0>	DATA<15:0>

### Clock—CLK[A/B]

Each port is fully synchronous with independent clock pins. All port input pins have setup time referenced to the port CLK pin. The data output bus has a clock-to-out time referenced to the CLK pin.

### Enable—EN[A/B]

The enable pin affects the read, write and reset functionality of the port. Ports with an inactive enable pin keep the output pins in the previous state and do not write data to the memory cells.

### Write Enable—WE[A/B]

Activating the write enable pin allows the port to write to the memory cells. When active, the contents of the data input bus are written to the RAM at the address pointed to by the address bus, and the new data also reflects on the data out bus. When inactive, a read operation occurs and the contents of the memory cells referenced by the address bus reflect on the data out bus.

### Reset—RST[A/B]

The reset pin forces the data output bus latches to zero synchronously. This does not affect the memory cells of the RAM and does not disturb a write operation on the other port.

### Address Bus—ADDR[A/B]<#:0>

The address bus selects the memory cells for read or write. The width of the port determines the required width of this bus as shown in Table 12.

### Data In Bus—DI[A/B]<#:0>

The data in bus provides the new data value to be written into the RAM. This bus and the port have the same width, as shown in Table 12.

### Data Output Bus—DO[A/B]<#:0>

The data out bus reflects the contents of the memory cells referenced by the address bus at the last active clock edge. During a write operation, the data out bus reflects the data in bus. The width of this bus equals the width of the port. The allowed widths appear in Table 12.

### Inverting Control Pins

The four control pins (CLK, EN, WE and RST) for each port have independent inversion control as a configuration option.

### Address Mapping

Each port accesses the same set of 4096 memory cells using an addressing scheme dependent on the width of the port. The physical RAM location addressed for a particular width are described in the following formula (of interest only when the two ports use different aspect ratios).

$$\text{Start} = ([\text{ADDR}_{\text{port}} + 1] * \text{Width}_{\text{port}}) - 1$$

$$\text{End} = \text{ADDR}_{\text{port}} * \text{Width}_{\text{port}}$$

Table 13 shows low order address mapping for each port width.

Table 13: Port Address Mapping

Port Width	Port Addresses																
	4095...	15	14	13	12	11	10	9	8	7	6	5	4	3	2	1	
1	4095...	15	14	13	12	11	10	9	8	7	6	5	4	3	2	1	
2	2047...	07	06	05	04	03	02	01	00								
4	1023...	03		02		01		00									
8	511...	01				00											
16	255...	00															

## Creating Larger RAM Structures

The block RAM columns have specialized routing to allow cascading blocks together with minimal routing delays. This achieves wider or deeper RAM structures with a smaller timing penalty than when using normal routing channels.

## Location Constraints

Block RAM instances can have LOC properties attached to them to constrain the placement. The block RAM placement locations are separate from the CLB location naming convention, allowing the LOC properties to transfer easily from array to array.

The LOC properties use the following form:

$$\text{LOC} = \text{RAMB4\_R\#C\#}$$

RAMB4\_R0C0 is the upper left RAMB4 location on the device.

## Conflict Resolution

The block RAM memory is a true dual-read/write port RAM that allows simultaneous access of the same memory cell from both ports. When one port writes to a given memory cell, the other port must not address that memory cell (for a write or a read) within the clock-to-clock setup window. The following lists specifics of port and memory cell write conflict resolution.

- If both ports write to the same memory cell simultaneously, violating the clock-to-clock setup requirement, consider the data stored as invalid.
- If one port attempts a read of the same memory cell the other simultaneously writes, violating the clock-to-clock setup requirement, the following occurs.
  - The write succeeds
  - The data out on the writing port accurately reflects the data written.
  - The data out on the reading port is invalid.

Conflicts do not cause any physical damage.

## Single Port Timing

Figure 33 shows a timing diagram for a single port of a block RAM memory. The block RAM AC switching characteristics are specified in the data sheet. The block RAM memory is initially disabled.

At the first rising edge of the CLK pin, the ADDR, DI, EN, WE, and RST pins are sampled. The EN pin is High and the WE pin is Low indicating a read operation. The DO bus contains the contents of the memory location, 0x00, as indicated by the ADDR bus.

At the second rising edge of the CLK pin, the ADDR, DI, EN, WR, and RST pins are sampled again. The EN and WE pins are High indicating a write operation. The DO bus mirrors

the DI bus. The DI bus is written to the memory location 0x0F.

At the third rising edge of the CLK pin, the ADDR, DI, EN, WR, and RST pins are sampled again. The EN pin is High and the WE pin is Low indicating a read operation. The DO bus contains the contents of the memory location 0x7E as indicated by the ADDR bus.

At the fourth rising edge of the CLK pin, the ADDR, DI, EN, WR, and RST pins are sampled again. The EN pin is Low indicating that the block RAM memory is now disabled. The DO bus retains the last value.

## Dual Port Timing

Figure 34 shows a timing diagram for a true dual-port read/write block RAM memory. The clock on port A has a longer period than the clock on Port B. The timing parameter  $T_{BCCS}$ , (clock-to-clock setup) is shown on this diagram. The parameter,  $T_{BCCS}$  is violated once in the diagram. All other timing parameters are identical to the single port version shown in Figure 33.

$T_{BCCS}$  is only of importance when the address of both ports are the same and at least one port is performing a write operation. When the clock-to-clock set-up parameter is violated for a WRITE-WRITE condition, the contents of the memory at that location will be invalid. When the clock-to-clock set-up parameter is violated for a WRITE-READ condition, the contents of the memory will be correct, but the read port will have invalid data. At the first rising edge of the CLKA, memory location 0x00 is to be written with the value 0xAAAA and is mirrored on the DOA bus. The last operation of Port B was a read to the same memory location 0x00. The DOB bus of Port B does not change with the new value on Port A, and retains the last read value. A short time later, Port B executes another read to memory location 0x00, and the DOB bus now reflects the new memory value written by Port A.

At the second rising edge of CLKA, memory location 0x7E is written with the value 0x9999 and is mirrored on the DOA bus. Port B then executes a read operation to the same memory location without violating the  $T_{BCCS}$  parameter and the DOB reflects the new memory values written by Port A.



DS001\_33\_061200

Figure 33: Timing Diagram for Single-Port Block RAM Memory



DS001\_34\_061200

Figure 34: Timing Diagram for a True Dual-Port Read/Write Block RAM Memory

At the third rising edge of CLKA, the  $T_{BCCS}$  parameter is violated with two writes to memory location 0x0F. The DOA and DOB busses reflect the contents of the DIA and DIB busses, but the stored value at 0x7E is invalid.

At the fourth rising edge of CLKA, a read operation is performed at memory location 0x0F and invalid data is present on the DOA bus. Port B also executes a read operation to memory location 0x0F and also reads invalid data.

At the fifth rising edge of CLKA a read operation is performed that does not violate the  $T_{BCCS}$  parameter to the previous write of 0x7E by Port B. The DOA bus reflects the recently written value by Port B.

### Initialization

The block RAM memory can initialize during the device configuration sequence. The 16 initialization properties of 64 hex values each (a total of 4096 bits) set the initialization of each RAM. These properties appear in Table 14. Any initialization properties not explicitly set configure as zeros. Partial initialization strings pad with zeros. Initialization strings greater than 64 hex values generate an error. The RAMs can be simulated with the initialization values using generics in VHDL simulators and parameters in Verilog simulators.

### Initialization in VHDL

The block RAM structures may be initialized in VHDL for both simulation and synthesis for inclusion in the EDIF output file. The simulation of the VHDL code uses a generic to pass the initialization.

### Initialization in Verilog

The block RAM structures may be initialized in Verilog for both simulation and synthesis for inclusion in the EDIF output file. The simulation of the Verilog code uses a defparam to pass the initialization.

### Block Memory Generation

The CORE Generator™ software generates memory structures using the block RAM features. This program outputs VHDL or Verilog simulation code templates and an EDIF file for inclusion in a design.

Table 14: RAM Initialization Properties

Property	Memory Cells
INIT_00	255 to 0
INIT_01	511 to 256
INIT_02	767 to 512
INIT_03	1023 to 768
INIT_04	1279 to 1024

Table 14: RAM Initialization Properties

Property	Memory Cells
INIT_05	1535 to 1280
INIT_06	1791 to 1536
INIT_07	2047 to 1792
INIT_08	2303 to 2048
INIT_09	2559 to 2304
INIT_0a	2815 to 2560
INIT_0b	3071 to 2816
INIT_0c	3327 to 3072
INIT_0d	3583 to 3328
INIT_0e	3839 to 3584
INIT_0f	4095 to 3840

For design examples and more information on using the Block RAM, see [XAPP173, Using Block SelectRAM+ Memory in Spartan-II FPGAs](#).

### Using Versatile I/O

The Spartan-II FPGA family includes a highly configurable, high-performance I/O resource called Versatile I/O to provide support for a wide variety of I/O standards. The Versatile I/O resource is a robust set of features including programmable control of output drive strength, slew rate, and input delay and hold time. Taking advantage of the flexibility and Versatile I/O features and the design considerations described in this document can improve and simplify system level design.

### Introduction

As FPGAs continue to grow in size and capacity, the larger and more complex systems designed for them demand an increased variety of I/O standards. Furthermore, as system clock speeds continue to increase, the need for high-performance I/O becomes more important. While chip-to-chip delays have an increasingly substantial impact on overall system speed, the task of achieving the desired system performance becomes more difficult with the proliferation of low-voltage I/O standards. Versatile I/O, the revolutionary input/output resources of Spartan-II devices, has resolved this potential problem by providing a highly configurable, high-performance alternative to the I/O resources of more conventional programmable devices. The Spartan-II FPGA Versatile I/O features combine the flexibility and time-to-market advantages of programmable logic with the high performance previously available only with ASICs and custom ICs.

Each Versatile I/O block can support up to 16 I/O standards. Supporting such a variety of I/O standards allows the

support of a wide variety of applications, from general purpose standard applications to high-speed low-voltage memory busses.

Versatile I/O blocks also provide selectable output drive strengths and programmable slew rates for the LVTTTL output buffers, as well as an optional, programmable weak pull-up, weak pull-down, or weak "keeper" circuit ideal for use in external bussing applications.

Each Input/Output Block (IOB) includes three registers, one each for the input, output, and 3-state signals within the IOB. These registers are optionally configurable as either a D-type flip-flop or as a level sensitive latch.

The input buffer has an optional delay element used to guarantee a zero hold time requirement for input signals registered within the IOB.

The Versatile I/O features also provide dedicated resources for input reference voltage ( $V_{REF}$ ) and output source voltage ( $V_{CCO}$ ), along with a convenient banking system that simplifies board design.

By taking advantage of the built-in features and wide variety of I/O standards supported by the Versatile I/O features, system-level design and board design can be greatly simplified and improved.

## Fundamentals

Modern bus applications, pioneered by the largest and most influential companies in the digital electronics industry, are commonly introduced with a new I/O standard tailored specifically to the needs of that application. The bus I/O standards provide specifications to other vendors who create products designed to interface with these applications. Each standard often has its own specifications for current, voltage, I/O buffering, and termination techniques.

The ability to provide the flexibility and time-to-market advantages of programmable logic is increasingly dependent on the capability of the programmable logic device to support an ever increasing variety of I/O standards

The Versatile I/O resources feature highly configurable input and output buffers which provide support for a wide variety of I/O standards. As shown in Table 15, each buffer type can support a variety of voltage requirements.

Table 15: Versatile I/O Supported Standards (Typical Values)

I/O Standard	Input Reference Voltage ( $V_{REF}$ )	Output Source Voltage ( $V_{CCO}$ )	Board Termination Voltage ( $V_{TT}$ )
LVTTTL (2-24 mA)	N/A	3.3	N/A
LVC MOS2	N/A	2.5	N/A
PCI (3V/5V, 33 MHz/66 MHz)	N/A	3.3	N/A
GTL	0.8	N/A	1.2
GTL+	1.0	N/A	1.5
HSTL Class I	0.75	1.5	0.75
HSTL Class III	0.9	1.5	1.5
HSTL Class IV	0.9	1.5	1.5
SSTL3 Class I and II	1.5	3.3	1.5
SSTL2 Class I and II	1.25	2.5	1.25
CTT	1.5	3.3	1.5
AGP-2X	1.32	3.3	N/A

## Overview of Supported I/O Standards

This section provides a brief overview of the I/O standards supported by all Spartan-II devices.

While most I/O standards specify a range of allowed voltages, this document records typical voltage values only. Detailed information on each specification may be found on the Electronic Industry Alliance JEDEC website at <http://www.jedec.org>. For more details on the I/O standards and termination application examples, see XAPP179, "Using SelectIO Interfaces in Spartan-II and Spartan-IIe FPGAs."

### LVTTTL — Low-Voltage TTL

The Low-Voltage TTL (LVTTTL) standard is a general purpose EIA/JESDSA standard for 3.3V applications that uses an LVTTTL input buffer and a Push-Pull output buffer. This standard requires a 3.3V output source voltage ( $V_{CCO}$ ), but does not require the use of a reference voltage ( $V_{REF}$ ) or a termination voltage ( $V_{TT}$ ).

### LVC MOS2 — Low-Voltage CMOS for 2.5V

The Low-Voltage CMOS for 2.5V or lower (LVC MOS2) standard is an extension of the LVC MOS standard (JESD 8.5) used for general purpose 2.5V applications. This standard requires a 2.5V output source voltage ( $V_{CCO}$ ), but does not require the use of a reference voltage ( $V_{REF}$ ) or a board termination voltage ( $V_{TT}$ ).

### PCI — Peripheral Component Interface

The Peripheral Component Interface (PCI) standard specifies support for both 33 MHz and 66 MHz PCI bus applications. It uses a LVTTTL input buffer and a push-pull output buffer. This standard does not require the use of a reference voltage ( $V_{REF}$ ) or a board termination voltage ( $V_{TT}$ ), however, it does require a 3.3V output source voltage ( $V_{CCO}$ ). I/Os configured for the PCI, 33 MHz, 5V standard are also 5V-tolerant.

### GTL — Gunning Transceiver Logic Terminated

The Gunning Transceiver Logic (GTL) standard is a high-speed bus standard (JESD8.3). Xilinx has implemented the terminated variation of this standard. This standard requires a differential amplifier input buffer and an open-drain output buffer.

### GTL+ — Gunning Transceiver Logic Plus

The Gunning Transceiver Logic Plus (GTL+) standard is a high-speed bus standard (JESD8.3).

### HSTL — High-Speed Transceiver Logic

The High-Speed Transceiver Logic (HSTL) standard is a general purpose high-speed, 1.5V bus standard (EIA/JESD 8-6). This standard has four variations or classes. Versatile I/O devices support Class I, III, and IV. This standard requires a Differential Amplifier input buffer and a Push-Pull output buffer.

### SSTL3 — Stub Series Terminated Logic for 3.3V

The Stub Series Terminated Logic for 3.3V (SSTL3) standard is a general purpose 3.3V memory bus standard (JESD8-8). This standard has two classes, I and II. Versatile I/O devices support both classes for the SSTL3 standard. This standard requires a Differential Amplifier input buffer and an Push-Pull output buffer.

### SSTL2 — Stub Series Terminated Logic for 2.5V

The Stub Series Terminated Logic for 2.5V (SSTL2) standard is a general purpose 2.5V memory bus standard (JESD8-9). This standard has two classes, I and II. Versatile I/O devices support both classes for the SSTL2 standard. This standard requires a Differential Amplifier input buffer and an Push-Pull output buffer.

### CTT — Center Tap Terminated

The Center Tap Terminated (CTT) standard is a 3.3V memory bus standard (JESD8-4). This standard requires a Differential Amplifier input buffer and a Push-Pull output buffer.

### AGP-2X — Advanced Graphics Port

The AGP standard is a 3.3V Advanced Graphics Port-2X bus standard used with processors for graphics applications. This standard requires a Push-Pull output buffer and a Differential Amplifier input buffer.

### Library Primitives

The Xilinx library includes an extensive list of primitives designed to provide support for the variety of Versatile I/O features. Most of these primitives represent variations of the five generic Versatile I/O primitives:

- IBUF (input buffer)
- IBUFG (global clock input buffer)
- OBUF (output buffer)
- OBUFT (3-state output buffer)
- IOBUF (input/output buffer)

These primitives are available with various extensions to define the desired I/O standard. However, it is recommended that customers use a property or attribute on the generic primitive to specify the I/O standard. See "[Versatile I/O Properties](#)".

#### IBUF

Signals used as inputs to the Spartan-II device must source an input buffer (IBUF) via an external input port. The generic IBUF primitive appears in [Figure 35](#). The assumed standard is LVTTTL when the generic IBUF has no specified extension or property.



DS001\_35\_061200

Figure 35: Input Buffer (IBUF) Primitive

When the IBUF primitive supports an I/O standard such as LVTTTL, LVCMOS, or PCI33\_5, the IBUF automatically configures as a 5V tolerant input buffer unless the  $V_{CCO}$  for the bank is less than 2V. If the single-ended IBUF is placed in a bank with an HSTL standard ( $V_{CCO} < 2V$ ), the input buffer is not 5V tolerant.

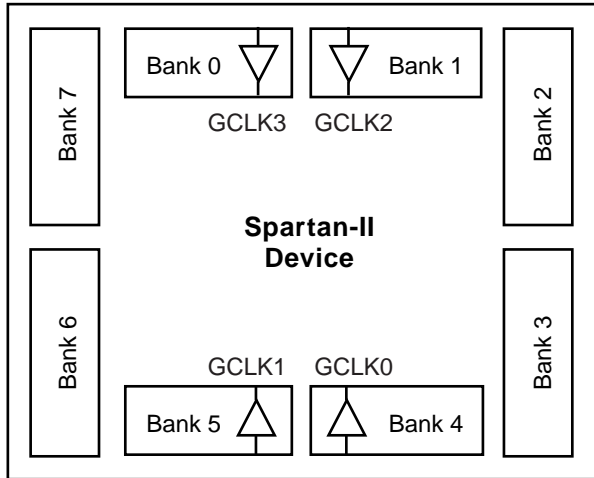
The voltage reference signal is "banked" within the Spartan-II device on a half-edge basis such that for all packages there are eight independent  $V_{REF}$  banks internally. See [Figure 36](#) for a representation of the I/O banks. Within each bank approximately one of every six I/O pins is automatically configured as a  $V_{REF}$  input.

IBUF placement restrictions require that any differential amplifier input signals within a bank be of the same standard. How to specify a specific location for the IBUF via

the LOC property is described below. Table 16 summarizes the input standards compatibility requirements.

An optional delay element is associated with each IBUF. When the IBUF drives a flip-flop within the IOB, the delay element by default activates to ensure a zero hold-time requirement. The NODELAY=TRUE property overrides this default.

When the IBUF does not drive a flip-flop within the IOB, the delay element de-activates by default to provide higher performance. To delay the input signal, activate the delay element with the DELAY=TRUE property.



DS001\_03\_060100

Figure 36: I/O Banks

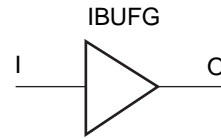
Table 16: Xilinx Input Standards Compatibility Requirements

Rule 1	All differential amplifier input signals within a bank are required to be of the same standard.
Rule 2	There are no placement restrictions for inputs with standards that require a single-ended input buffer.

**IBUFG**

Signals used as high fanout clock inputs to the Spartan-II device should drive a global clock input buffer (IBUFG) via an external input port in order to take advantage of one of the four dedicated global clock distribution networks. The output of the IBUFG primitive can

only drive a CLKDLL, CLKDLLHF, or a BUFG primitive. The generic IBUFG primitive appears in Figure 37.



DS001\_37\_061200

Figure 37: Global Clock Input Buffer (IBUFG) Primitive

With no extension or property specified for the generic IBUFG primitive, the assumed standard is LVTTTL.

The voltage reference signal is "banked" within the Spartan-II device on a half-edge basis such that for all packages there are eight independent V<sub>REF</sub> banks internally. See Figure 36 for a representation of the I/O banks. Within each bank approximately one of every six I/O pins is automatically configured as a V<sub>REF</sub> input.

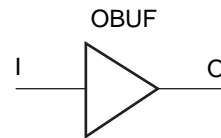
IBUFG placement restrictions require any differential amplifier input signals within a bank be of the same standard. The LOC property can specify a location for the IBUFG.

As an added convenience, the BUFGP can be used to instantiate a high fanout clock input. The BUFGP primitive represents a combination of the LVTTTL IBUFG and BUFG primitives, such that the output of the BUFGP can connect directly to the clock pins throughout the design.

The Spartan-II FPGA BUFGP primitive can only be placed in a global clock pad location. The LOC property can specify a location for the BUFGP.

**OBUF**

An OBUF must drive outputs through an external output port. The generic output buffer (OBUF) primitive appears in Figure 38.



DS001\_38\_061200

Figure 38: Output Buffer (OBUF) Primitive

With no extension or property specified for the generic OBUF primitive, the assumed standard is slew rate limited LVTTTL with 12 mA drive strength.

The LVTTTL OBUF additionally can support one of two slew rate modes to minimize bus transients. By default, the slew rate for each output buffer is reduced to minimize power bus transients when switching non-critical signals.

LVTTL output buffers have selectable drive strengths. The format for LVTTL OBUF primitive names is as follows.

OBUF\_<slew\_rate>\_<drive\_strength>

<slew\_rate> is either F (Fast), or S (Slow) and <drive\_strength> is specified in milliamps (2, 4, 6, 8, 12, 16, or 24). The default is slew rate limited with 12 mA drive.

OBUF placement restrictions require that within a given V<sub>CCO</sub> bank each OBUF share the same output source drive voltage. Input buffers of any type and output buffers that do not require V<sub>CCO</sub> can be placed within any V<sub>CCO</sub> bank. Table 17 summarizes the output compatibility requirements. The LOC property can specify a location for the OBUF.

Table 17: Output Standards Compatibility Requirements

Rule 1	Only outputs with standards which share compatible V <sub>CCO</sub> may be used within the same bank.
Rule 2	There are no placement restrictions for outputs with standards that do not require a V <sub>CCO</sub> .
V <sub>CCO</sub>	Compatible Standards
3.3	LVTTL, SSTL3_I, SSTL3_II, CTT, AGP, GTL, GTL+, PCI33_3, PCI66_3
2.5	SSTL2_I, SSTL2_II, LVCMOS2, GTL, GTL+
1.5	HSTL_I, HSTL_III, HSTL_IV, GTL, GTL+

**OBUFT**

The generic 3-state output buffer OBUFT, shown in Figure 39, typically implements 3-state outputs or bidirectional I/O.

With no extension or property specified for the generic OBUFT primitive, the assumed standard is slew rate limited LVTTL with 12 mA drive strength.

The LVTTL OBUFT can support one of two slew rate modes to minimize bus transients. By default, the slew rate for each output buffer is reduced to minimize power bus transients when switching non-critical signals.

LVTTL 3-state output buffers have selectable drive strengths.

The format for LVTTL OBUFT primitive names is as follows.

OBUFT\_<slew\_rate>\_<drive\_strength>

<slew\_rate> can be either F (Fast), or S (Slow) and <drive\_strength> is specified in milliamps (2, 4, 6, 8, 12, 16, or 24).



DS001\_39\_032300

Figure 39: 3-State Output Buffer Primitive (OBUFT)

The Versatile I/O OBUFT placement restrictions require that within a given V<sub>CCO</sub> bank each OBUFT share the same output source drive voltage. Input buffers of any type and output buffers that do not require V<sub>CCO</sub> can be placed within the same V<sub>CCO</sub> bank.

The LOC property can specify a location for the OBUFT.

3-state output buffers and bidirectional buffers can have either a weak pull-up resistor, a weak pull-down resistor, or a weak "keeper" circuit. Control this feature by adding the appropriate primitive to the output net of the OBUFT (PULLUP, PULLDOWN, or KEEPER).

The weak "keeper" circuit requires the input buffer within the IOB to sample the I/O signal. So, OBUFTs programmed for an I/O standard that requires a V<sub>REF</sub> have automatic placement of a V<sub>REF</sub> in the bank with an OBUFT configured with a weak "keeper" circuit. This restriction does not affect most circuit design as applications using an OBUFT configured with a weak "keeper" typically implement a bidirectional I/O. In this case the IBUF (and the corresponding V<sub>REF</sub>) are explicitly placed.

The LOC property can specify a location for the OBUFT.

**IOBUF**

Use the IOBUF primitive for bidirectional signals that require both an input buffer and a 3-state output buffer with an active high 3-state pin. The generic input/output buffer IOBUF appears in Figure 40.

With no extension or property specified for the generic IOBUF primitive, the assumed standard is LVTTL input buffer and slew rate limited LVTTL with 12 mA drive strength for the output buffer.

The LVTTL IOBUF can support one of two slew rate modes to minimize bus transients. By default, the slew rate for each output buffer is reduced to minimize power bus transients when switching non-critical signals.

LVTTL bidirectional buffers have selectable output drive strengths.

The format for LVTTL IOBUF primitive names is as follows:



IOBUF\_<slew\_rate>\_<drive\_strength>

<slew\_rate> can be either F (Fast), or S (Slow) and <drive\_strength> is specified in milliamps (2, 4, 6, 8, 12, 16, or 24).



DS001\_40\_061200

Figure 40: Input/Output Buffer Primitiveprimitive (IOBUF)

When the IOBUF primitive supports an I/O standard such as LVTTTL, LVCMOS, or PCI33\_5, the IBUF automatically configures as a 5V tolerant input buffer unless the  $V_{CC0}$  for the bank is less than 2V. If the single-ended IBUF is placed in a bank with an HSTL standard ( $V_{CC0} < 2V$ ), the input buffer is not 5V tolerant.

The voltage reference signal is "banked" within the Spartan-II device on a half-edge basis such that for all packages there are eight independent  $V_{REF}$  banks internally. See Figure 36, page 39 for a representation of the Spartan-II FPGA I/O banks. Within each bank approximately one of every six I/O pins is automatically configured as a  $V_{REF}$  input.

Additional restrictions on the Versatile I/O IOBUF placement require that within a given  $V_{CC0}$  bank each IOBUF must share the same output source drive voltage. Input buffers of any type and output buffers that do not require  $V_{CC0}$  can be placed within the same  $V_{CC0}$  bank. The LOC property can specify a location for the IOBUF.

An optional delay element is associated with the input path in each IOBUF. When the IOBUF drives an input flip-flop within the IOB, the delay element activates by default to ensure a zero hold-time requirement. Override this default with the NODELAY=TRUE property.

In the case when the IOBUF does not drive an input flip-flop within the IOB, the delay element de-activates by default to provide higher performance. To delay the input signal, activate the delay element with the DELAY=TRUE property.

3-state output buffers and bidirectional buffers can have either a weak pull-up resistor, a weak pull-down resistor, or a weak "keeper" circuit. Control this feature by adding the appropriate primitive to the output net of the IOBUF (PULLUP, PULLDOWN, or KEEPER).

## Versatile I/O Properties

Access to some of the Versatile I/O features (for example, location constraints, input delay, output drive strength, and slew rate) is available through properties associated with these features.

### Input Delay Properties

An optional delay element is associated with each IBUF. When the IBUF drives a flip-flop within the IOB, the delay element activates by default to ensure a zero hold-time requirement. Use the NODELAY=TRUE property to override this default.

In the case when the IBUF does not drive a flip-flop within the IOB, the delay element by default de-activates to provide higher performance. To delay the input signal, activate the delay element with the DELAY=TRUE property.

### IOB Flip-Flop/Latch Property

The I/O Block (IOB) includes an optional register on the input path, an optional register on the output path, and an optional register on the 3-state control pin. The design implementation software automatically takes advantage of these registers when the following option for the Map program is specified:

```
map -pr b <filename>
```

Alternatively, the IOB = TRUE property can be placed on a register to force the mapper to place the register in an IOB.

### Location Constraints

Specify the location of each Versatile I/O primitive with the location constraint LOC attached to the Versatile I/O primitive. The external port identifier indicates the value of the location constrain. The format of the port identifier depends on the package chosen for the specific design.

The LOC properties use the following form:

```
LOC=A42
```

```
LOC=P37
```

### Output Slew Rate Property

In the case of the LVTTTL output buffers (OBUF, OBUFT, and IOBUF), slew rate control can be programmed with the SLEW= property. By default, the slew rate for each output buffer is reduced to minimize power bus transients when switching non-critical signals. The SLEW= property has one of the two following values.

```
SLEW=SLOW
```

```
SLEW=FAST
```

### Output Drive Strength Property

For the LVTTTL output buffers (OBUF, OBUFT, and IOBUF), the desired drive strength can be specified with the DRIVE=

property. This property could have one of the following seven values.

- DRIVE=2
- DRIVE=4
- DRIVE=6
- DRIVE=8
- DRIVE=12 (Default)
- DRIVE=16
- DRIVE=24

## Design Considerations

### Reference Voltage ( $V_{REF}$ ) Pins

Low-voltage I/O standards with a differential amplifier input buffer require an input reference voltage ( $V_{REF}$ ). Provide the  $V_{REF}$  as an external signal to the device.

The voltage reference signal is "banked" within the device on a half-edge basis such that for all packages there are eight independent  $V_{REF}$  banks internally. See [Figure 36, page 39](#) for a representation of the I/O banks. Within each bank approximately one of every six I/O pins is automatically configured as a  $V_{REF}$  input.

Within each  $V_{REF}$  bank, any input buffers that require a  $V_{REF}$  signal must be of the same type. Output buffers of any type and input buffers can be placed without requiring a reference voltage within the same  $V_{REF}$  bank.

### Output Drive Source Voltage ( $V_{CCO}$ ) Pins

Many of the low voltage I/O standards supported by Versatile I/Os require a different output drive source voltage ( $V_{CCO}$ ). As a result each device can often have to support multiple output drive source voltages.

The  $V_{CCO}$  supplies are internally tied together for some packages. The VQ100 and the PQ208 provide one combined  $V_{CCO}$  supply. The TQ144 and the CS144 packages provide four independent  $V_{CCO}$  supplies. The FG256 and the FG456 provide eight independent  $V_{CCO}$  supplies.

Output buffers within a given  $V_{CCO}$  bank must share the same output drive source voltage. Input buffers for LVTTTL, LVCMOS2, PCI33\_3, and PCI 66\_3 use the  $V_{CCO}$  voltage for Input  $V_{CCO}$  voltage.

### Transmission Line Effects

The delay of an electrical signal along a wire is dominated by the rise and fall times when the signal travels a short distance. Transmission line delays vary with inductance and capacitance, but a well-designed board can experience delays of approximately 180 ps per inch.

Transmission line effects, or reflections, typically start at 1.5" for fast (1.5 ns) rise and fall times. Poor (or non-existent) termination or changes in the transmission line impedance cause these reflections and can cause additional delay in longer traces. As system speeds continue to increase, the effect of I/O delays can become a limiting factor and therefore transmission line termination becomes increasingly more important.

### Termination Techniques

A variety of termination techniques reduce the impact of transmission line effects.

The following lists output termination techniques:

- None
- Series
- Parallel (Shunt)
- Series and Parallel (Series-Shunt)

Input termination techniques include the following:

- None
- Parallel (Shunt)

These termination techniques can be applied in any combination. A generic example of each combination of termination methods appears in [Figure 41](#).



Figure 41: Overview of Standard Input and Output Termination Methods

### Simultaneous Switching Guidelines

Ground bounce can occur with high-speed digital ICs when multiple outputs change states simultaneously, causing undesired transient behavior on an output, or in the internal logic. This problem is also referred to as the Simultaneous Switching Output (SSO) problem.

Ground bounce is primarily due to current changes in the combined inductance of ground pins, bond wires, and

ground metallization. The IC internal ground level deviates from the external system ground level for a short duration (a few nanoseconds) after multiple outputs change state simultaneously.

Ground bounce affects stable Low outputs and all inputs because they interpret the incoming signal by comparing it to the internal ground. If the ground bounce amplitude exceeds the actual instantaneous noise margin, then a non-changing input can be interpreted as a short pulse with a polarity opposite to the ground bounce.

Table 18 provides the guidelines for the maximum number of simultaneously switching outputs allowed per output power/ground pair to avoid the effects of ground bounce. Refer to Table 19 for the number of effective output power/ground pairs for each Spartan-II device and package combination.

**Table 18: Maximum Number of Simultaneously Switching Outputs per Power/Ground Pair**

Standard	Package	
	CS, FG	PQ, TQ, VQ
LVTTL Slow Slew Rate, 2 mA drive	68	36
LVTTL Slow Slew Rate, 4 mA drive	41	20
LVTTL Slow Slew Rate, 6 mA drive	29	15
LVTTL Slow Slew Rate, 8 mA drive	22	12
LVTTL Slow Slew Rate, 12 mA drive	17	9
LVTTL Slow Slew Rate, 16 mA drive	14	7
LVTTL Slow Slew Rate, 24 mA drive	9	5
LVTTL Fast Slew Rate, 2 mA drive	40	21
LVTTL Fast Slew Rate, 4 mA drive	24	12
LVTTL Fast Slew Rate, 6 mA drive	17	9
LVTTL Fast Slew Rate, 8 mA drive	13	7
LVTTL Fast Slew Rate, 12 mA drive	10	5
LVTTL Fast Slew Rate, 16 mA drive	8	4
LVTTL Fast Slew Rate, 24 mA drive	5	3
LVC MOS2	10	5
PCI	8	4
GTL	4	4
GTL+	4	4
HSTL Class I	18	9
HSTL Class III	9	5
HSTL Class IV	5	3
SSTL2 Class I	15	8

**Table 18: Maximum Number of Simultaneously Switching Outputs per Power/Ground Pair**

Standard	Package	
	CS, FG	PQ, TQ, VQ
SSTL2 Class II	10	5
SSTL3 Class I	11	6
SSTL3 Class II	7	4
CTT	14	7
AGP	9	5

**Notes:**

1. This analysis assumes a 35 pF load for each output.

**Table 19: Effective Output Power/Ground Pairs for Spartan-II Devices**

Pkg.	Spartan-II Devices					
	XC2S 15	XC2S 30	XC2S 50	XC2S 100	XC2S 150	XC2S 200
VQ100	8	8	-	-	-	-
CS144	12	12	-	-	-	-
TQ144	12	12	12	12	-	-
PQ208	-	16	16	16	16	16
FG256	-	-	16	16	16	16
FG456	-	-	-	48	48	48

**Termination Examples**

Creating a design with the Versatile I/O features requires the instantiation of the desired library primitive within the design code. At the board level, designers need to know the termination techniques required for each I/O standard.

This section describes some common application examples illustrating the termination techniques recommended by each of the standards supported by the Versatile I/O features. For a full range of accepted values for the DC voltage specifications for each standard, refer to the table associated with each figure.

The resistors used in each termination technique example and the transmission lines depicted represent board level components and are not meant to represent components on the device.

**GTL**

A sample circuit illustrating a valid termination technique for GTL is shown in Figure 42. Table 20 lists DC voltage specifications for the GTL standard. See "DC Specifications" in Module 3 for the actual FPGA characteristics.

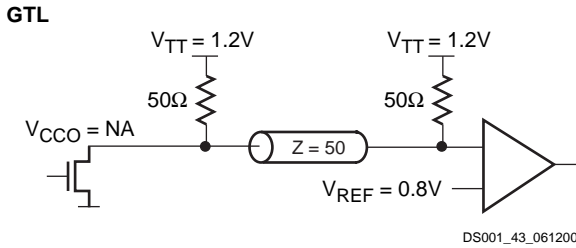


Figure 42: Terminated GTL

Table 20: GTL Voltage Specifications

Parameter	Min	Typ	Max
V <sub>CCO</sub>	-	N/A	-
V <sub>REF</sub> = N × V <sub>TT</sub> <sup>(1)</sup>	0.74	0.8	0.86
V <sub>TT</sub>	1.14	1.2	1.26
V <sub>IH</sub> ≥ V <sub>REF</sub> + 0.05	0.79	0.85	-
V <sub>IL</sub> ≤ V <sub>REF</sub> - 0.05	-	0.75	0.81
V <sub>OH</sub>	-	-	-
V <sub>OL</sub>	-	0.2	0.4
I <sub>OH</sub> at V <sub>OH</sub> (mA)	-	-	-
I <sub>OL</sub> at V <sub>OL</sub> (mA) at 0.4V	32	-	-
I <sub>OL</sub> at V <sub>OL</sub> (mA) at 0.2V	-	-	40

**Notes:**

1. N must be greater than or equal to 0.653 and less than or equal to 0.68.

**GTL+**

A sample circuit illustrating a valid termination technique for GTL+ appears in Figure 43. DC voltage specifications appear in Table 21 for the GTL+ standard. See "DC Specifications" in Module 3 for the actual FPGA characteristics.



Figure 43: Terminated GTL+

Table 21: GTL+ Voltage Specifications

Parameter	Min	Typ	Max
V <sub>CCO</sub>	-	-	-
V <sub>REF</sub> = N × V <sub>TT</sub> <sup>(1)</sup>	0.88	1.0	1.12
V <sub>TT</sub>	1.35	1.5	1.65
V <sub>IH</sub> ≥ V <sub>REF</sub> + 0.1	0.98	1.1	-
V <sub>IL</sub> ≤ V <sub>REF</sub> - 0.1	-	0.9	1.02
V <sub>OH</sub>	-	-	-
V <sub>OL</sub>	0.3	0.45	0.6
I <sub>OH</sub> at V <sub>OH</sub> (mA)	-	-	-
I <sub>OL</sub> at V <sub>OL</sub> (mA) at 0.6V	36	-	-
I <sub>OL</sub> at V <sub>OL</sub> (mA) at 0.3V	-	-	48

**Notes:**

1. N must be greater than or equal to 0.653 and less than or equal to 0.68.

**HSTL Class I**

A sample circuit illustrating a valid termination technique for HSTL\_I appears in Figure 44. DC voltage specifications appear in Table 22 for the HSTL\_1 standard. See "DC Specifications" in Module 3 for the actual FPGA characteristics.



Figure 44: Terminated HSTL Class I

Table 22: HSTL Class I Voltage Specification

Parameter	Min	Typ	Max
V <sub>CCO</sub>	1.40	1.50	1.60
V <sub>REF</sub>	0.68	0.75	0.90
V <sub>TT</sub>	-	V <sub>CCO</sub> × 0.5	-
V <sub>IH</sub>	V <sub>REF</sub> + 0.1	-	-
V <sub>IL</sub>	-	-	V <sub>REF</sub> - 0.1
V <sub>OH</sub>	V <sub>CCO</sub> - 0.4	-	-
V <sub>OL</sub>	-	-	0.4
I <sub>OH</sub> at V <sub>OH</sub> (mA)	-8	-	-
I <sub>OL</sub> at V <sub>OL</sub> (mA)	8	-	-

**HSTL Class III**

A sample circuit illustrating a valid termination technique for HSTL\_III appears in Figure 45. DC voltage specifications appear in Table 23 for the HSTL\_III standard. See "DC Specifications" in Module 3 for the actual FPGA characteristics.



Figure 45: Terminated HSTL Class III

**HSTL Class IV**

A sample circuit illustrating a valid termination technique for HSTL\_IV appears in Figure 46. DC voltage specifications appear in Table 24 for the HSTL\_IV standard. See "DC Specifications" in Module 3 for the actual FPGA characteristics.



Figure 46: Terminated HSTL Class IV

Table 23: HSTL Class III Voltage Specification

Parameter	Min	Typ	Max
$V_{CCO}$	1.40	1.50	1.60
$V_{REF}^{(1)}$	-	0.90	-
$V_{TT}$	-	$V_{CCO}$	-
$V_{IH}$	$V_{REF} + 0.1$	-	-
$V_{IL}$	-	-	$V_{REF} - 0.1$
$V_{OH}$	$V_{CCO} - 0.4$	-	-
$V_{OL}$	-	-	0.4
$I_{OH}$ at $V_{OH}$ (mA)	-8	-	-
$I_{OL}$ at $V_{OL}$ (mA)	24	-	-

**Notes:**

- Per EIA/JESD8-6, "The value of  $V_{REF}$  is to be selected by the user to provide optimum noise margin in the use conditions specified by the user."

Table 24: HSTL Class IV Voltage Specification

Parameter	Min	Typ	Max
$V_{CCO}$	1.40	1.50	1.60
$V_{REF}$	-	0.90	-
$V_{TT}$	-	$V_{CCO}$	-
$V_{IH}$	$V_{REF} + 0.1$	-	-
$V_{IL}$	-	-	$V_{REF} - 0.1$
$V_{OH}$	$V_{CCO} - 0.4$	-	-
$V_{OL}$	-	-	0.4
$I_{OH}$ at $V_{OH}$ (mA)	-8	-	-
$I_{OL}$ at $V_{OL}$ (mA)	48	-	-

**Notes:**

- Per EIA/JESD8-6, "The value of  $V_{REF}$  is to be selected by the user to provide optimum noise margin in the use conditions specified by the user."

**SSTL3 Class I**

A sample circuit illustrating a valid termination technique for SSTL3\_I appears in Figure 47. DC voltage specifications appear in Table 25 for the SSTL3\_I standard. See "DC Specifications" in Module 3 for the actual FPGA characteristics.



Figure 47: Terminated SSTL3 Class I

**SSTL3 Class II**

A sample circuit illustrating a valid termination technique for SSTL3\_II appears in Figure 48. DC voltage specifications appear in Table 26 for the SSTL3\_II standard. See "DC Specifications" in Module 3 for the actual FPGA characteristics.



Figure 48: Terminated SSTL3 Class II

Table 25: SSTL3\_I Voltage Specifications

Parameter	Min	Typ	Max
V <sub>CCO</sub>	3.0	3.3	3.6
V <sub>REF</sub> = 0.45 × V <sub>CCO</sub>	1.3	1.5	1.7
V <sub>TT</sub> = V <sub>REF</sub>	1.3	1.5	1.7
V <sub>IH</sub> ≥ V <sub>REF</sub> + 0.2	1.5	1.7	3.9 <sup>(1)</sup>
V <sub>IL</sub> ≤ V <sub>REF</sub> - 0.2	-0.3 <sup>(2)</sup>	1.3	1.5
V <sub>OH</sub> ≥ V <sub>REF</sub> + 0.6	1.9	-	-
V <sub>OL</sub> ≤ V <sub>REF</sub> - 0.6	-	-	1.1
I <sub>OH</sub> at V <sub>OH</sub> (mA)	-8	-	-
I <sub>OL</sub> at V <sub>OL</sub> (mA)	8	-	-

**Notes:**

- V<sub>IH</sub> maximum is V<sub>CCO</sub> + 0.3.
- V<sub>IL</sub> minimum does not conform to the formula.

Table 26: SSTL3\_II Voltage Specifications

Parameter	Min	Typ	Max
V <sub>CCO</sub>	3.0	3.3	3.6
V <sub>REF</sub> = 0.45 × V <sub>CCO</sub>	1.3	1.5	1.7
V <sub>TT</sub> = V <sub>REF</sub>	1.3	1.5	1.7
V <sub>IH</sub> ≥ V <sub>REF</sub> + 0.2	1.5	1.7	3.9 <sup>(1)</sup>
V <sub>IL</sub> ≤ V <sub>REF</sub> - 0.2	-0.3 <sup>(2)</sup>	1.3	1.5
V <sub>OH</sub> ≥ V <sub>REF</sub> + 0.8	2.1	-	-
V <sub>OL</sub> ≤ V <sub>REF</sub> - 0.8	-	-	0.9
I <sub>OH</sub> at V <sub>OH</sub> (mA)	-16	-	-
I <sub>OL</sub> at V <sub>OL</sub> (mA)	16	-	-

**Notes:**

- V<sub>IH</sub> maximum is V<sub>CCO</sub> + 0.3
- V<sub>IL</sub> minimum does not conform to the formula

**SSTL2\_I**

A sample circuit illustrating a valid termination technique for SSTL2\_I appears in Figure 49. DC voltage specifications appear in Table 27 for the SSTL2\_I standard. See "DC Specifications" in Module 3 for the actual FPGA characteristics



Figure 49: Terminated SSTL2 Class I

**SSTL2 Class II**

A sample circuit illustrating a valid termination technique for SSTL2\_II appears in Figure 50. DC voltage specifications appear in Table 28 for the SSTL2\_II standard. See "DC Specifications" in Module 3 for the actual FPGA characteristics.



Figure 50: Terminated SSTL2 Class II

Table 27: SSTL2\_I Voltage Specifications

Parameter	Min	Typ	Max
$V_{CCO}$	2.3	2.5	2.7
$V_{REF} = 0.5 \times V_{CCO}$	1.15	1.25	1.35
$V_{TT} = V_{REF} + N^{(1)}$	1.11	1.25	1.39
$V_{IH} \geq V_{REF} + 0.18$	1.33	1.43	3.0 <sup>(2)</sup>
$V_{IL} \leq V_{REF} - 0.18$	-0.3 <sup>(3)</sup>	1.07	1.17
$V_{OH} \geq V_{REF} + 0.61$	1.76	-	-
$V_{OL} \leq V_{REF} - 0.61$	-	-	0.74
$I_{OH}$ at $V_{OH}$ (mA)	-7.6	-	-
$I_{OL}$ at $V_{OL}$ (mA)	7.6	-	-

**Notes:**

1. N must be greater than or equal to -0.04 and less than or equal to 0.04.
2.  $V_{IH}$  maximum is  $V_{CCO} + 0.3$ .
3.  $V_{IL}$  minimum does not conform to the formula.

Table 28: SSTL2\_II Voltage Specifications

Parameter	Min	Typ	Max
$V_{CCO}$	2.3	2.5	2.7
$V_{REF} = 0.5 \times V_{CCO}$	1.15	1.25	1.35
$V_{TT} = V_{REF} + N^{(1)}$	1.11	1.25	1.39
$V_{IH} \geq V_{REF} + 0.18$	1.33	1.43	3.0 <sup>(2)</sup>
$V_{IL} \leq V_{REF} - 0.18$	-0.3 <sup>(3)</sup>	1.07	1.17
$V_{OH} \geq V_{REF} + 0.8$	1.95	-	-
$V_{OL} \leq V_{REF} - 0.8$	-	-	0.55
$I_{OH}$ at $V_{OH}$ (mA)	-15.2	-	-
$I_{OL}$ at $V_{OL}$ (mA)	15.2	-	-

**Notes:**

1. N must be greater than or equal to -0.04 and less than or equal to 0.04.
2.  $V_{IH}$  maximum is  $V_{CCO} + 0.3$ .
3.  $V_{IL}$  minimum does not conform to the formula.

**CTT**

A sample circuit illustrating a valid termination technique for CTT appear in Figure 51. DC voltage specifications appear in Table 29 for the CTT standard. See "DC Specifications" in Module 3 for the actual FPGA characteristics .



Figure 51: Terminated CTT

Table 29: CTT Voltage Specifications

Parameter	Min	Typ	Max
V <sub>CCO</sub>	2.05 <sup>(1)</sup>	3.3	3.6
V <sub>REF</sub>	1.35	1.5	1.65
V <sub>TT</sub>	1.35	1.5	1.65
V <sub>IH</sub> ≥ V <sub>REF</sub> + 0.2	1.55	1.7	-
V <sub>IL</sub> ≤ V <sub>REF</sub> - 0.2	-	1.3	1.45
V <sub>OH</sub> ≥ V <sub>REF</sub> + 0.4	1.75	1.9	-
V <sub>OL</sub> ≤ V <sub>REF</sub> - 0.4	-	1.1	1.25
I <sub>OH</sub> at V <sub>OH</sub> (mA)	-8	-	-
I <sub>OL</sub> at V <sub>OL</sub> (mA)	8	-	-

**Notes:**

1. Timing delays are calculated based on V<sub>CCO</sub> min of 3.0V.

**PCI33\_3 and PCI66\_3**

PCI33\_3 or PCI66\_3 require no termination. DC voltage specifications appear in Table 30 for the PCI33\_3 and PCI66\_3 standards. See "DC Specifications" in Module 3 for the actual FPGA characteristics.

Table 30: PCI33\_3 and PCI66\_3 Voltage Specifications

Parameter	Min	Typ	Max
V <sub>CCO</sub>	3.0	3.3	3.6
V <sub>REF</sub>	-	-	-
V <sub>TT</sub>	-	-	-
V <sub>IH</sub> = 0.5 × V <sub>CCO</sub>	1.5	1.65	V <sub>CCO</sub> + 0.5
V <sub>IL</sub> = 0.3 × V <sub>CCO</sub>	-0.5	0.99	1.08
V <sub>OH</sub> = 0.9 × V <sub>CCO</sub>	2.7	-	-
V <sub>OL</sub> = 0.1 × V <sub>CCO</sub>	-	-	0.36
I <sub>OH</sub> at V <sub>OH</sub> (mA)	Note 1	-	-
I <sub>OL</sub> at V <sub>OL</sub> (mA)	Note 1	-	-

**Notes:**

1. Tested according to the relevant specification.

**PCI33\_5**

PCI33\_5 requires no termination. DC voltage specifications appear in Table 31 for the PCI33\_5 standard. See "DC Specifications" in Module 3 for the actual FPGA characteristics.

Table 31: PCI33\_5 Voltage Specifications

Parameter	Min	Typ	Max
V <sub>CCO</sub>	3.0	3.3	3.6
V <sub>REF</sub>	-	-	-
V <sub>TT</sub>	-	-	-
V <sub>IH</sub>	1.425	1.5	5.5
V <sub>IL</sub>	-0.5	1.0	1.05
V <sub>OH</sub>	2.4	-	-
V <sub>OL</sub>	-	-	0.55
I <sub>OH</sub> at V <sub>OH</sub> (mA)	Note 1	-	-
I <sub>OL</sub> at V <sub>OL</sub> (mA)	Note 1	-	-

**Notes:**

1. Tested according to the relevant specification.



## LVTTTL

LVTTTL requires no termination. DC voltage specifications appears in [Table 32](#) for the LVTTTL standard. See "[DC Specifications](#)" in Module 3 for the actual FPGA characteristics.

Table 32: LVTTTL Voltage Specifications

Parameter	Min	Typ	Max
$V_{CCO}$	3.0	3.3	3.6
$V_{REF}$	-	-	-
$V_{TT}$	-	-	-
$V_{IH}$	2.0	-	5.5
$V_{IL}$	-0.5	-	0.8
$V_{OH}$	2.4	-	-
$V_{OL}$	-	-	0.4
$I_{OH}$ at $V_{OH}$ (mA)	-24	-	-
$I_{OL}$ at $V_{OL}$ (mA)	24	-	-

### Notes:

- $V_{OL}$  and  $V_{OH}$  for lower drive currents sample tested.

## LVC MOS2

LVC MOS2 requires no termination. DC voltage specifications appear in [Table 33](#) for the LVC MOS2 standard. See "[DC Specifications](#)" in Module 3 for the actual FPGA characteristics.

Table 33: LVC MOS2 Voltage Specifications

Parameter	Min	Typ	Max
$V_{CCO}$	2.3	2.5	2.7
$V_{REF}$	-	-	-
$V_{TT}$	-	-	-
$V_{IH}$	1.7	-	5.5
$V_{IL}$	-0.5	-	0.7
$V_{OH}$	1.9	-	-
$V_{OL}$	-	-	0.4
$I_{OH}$ at $V_{OH}$ (mA)	-12	-	-
$I_{OL}$ at $V_{OL}$ (mA)	12	-	-

## AGP-2X

The specification for the AGP-2X standard does not document a recommended termination technique. DC voltage specifications appear in [Table 34](#) for the AGP-2X standard. See "[DC Specifications](#)" in Module 3 for the actual FPGA characteristics.

Table 34: AGP-2X Voltage Specifications

Parameter	Min	Typ	Max
$V_{CCO}$	3.0	3.3	3.6
$V_{REF} = N \times V_{CCO}^{(1)}$	1.17	1.32	1.48
$V_{TT}$	-	-	-
$V_{IH} \geq V_{REF} + 0.2$	1.37	1.52	-
$V_{IL} \leq V_{REF} - 0.2$	-	1.12	1.28
$V_{OH} \geq 0.9 \times V_{CCO}$	2.7	3.0	-
$V_{OL} \leq 0.1 \times V_{CCO}$	-	0.33	0.36
$I_{OH}$ at $V_{OH}$ (mA)	Note 2	-	-
$I_{OL}$ at $V_{OL}$ (mA)	Note 2	-	-

### Notes:

- N must be greater than or equal to 0.39 and less than or equal to 0.41.
- Tested according to the relevant specification.

For design examples and more information on using the I/O, see [XAPP179](#), *Using SelectIO Interfaces in Spartan-II and Spartan-IIe FPGAs*.

## Revision History

Date	Version	Description
09/18/00	2.0	Sectioned the Spartan-II Family data sheet into four modules. Corrected banking description.
03/05/01	2.1	Clarified guidelines for applying power to $V_{CCINT}$ and $V_{CCO}$
09/03/03	2.2	The following changes were made: <ul style="list-style-type: none"> <li>• "Serial Modes," page 20 cautions about toggling <math>\overline{WRITE}</math> during serial configuration.</li> <li>• Maximum <math>V_{IH}</math> values in Table 32 and Table 33 changed to 5.5V.</li> <li>• In "Boundary Scan," page 13, removed sentence about lack of INTEST support.</li> <li>• In Table 9, page 17, added note about the state of I/Os after power-on.</li> <li>• In "Slave Parallel Mode," page 23, explained configuration bit alignment to SelectMap port.</li> </ul>
06/13/08	2.8	Added note that TDI, TMS, and TCK have a default pull-up resistor. Added note on maximum daisy chain limit. Updated Figure 15 and Figure 18 since Mode pins can be pulled up to either 2.5V or 3.3V. Updated DLL section. Recommended using property or attribute instead of primitive to define I/O properties. Updated description and links. Updated all modules for continuous page, figure, and table numbering. Synchronized all modules to v2.8.

## Definition of Terms

In this document, some specifications may be designated as Advance or Preliminary. These terms are defined as follows:

**Advance:** Initial estimates based on simulation and/or extrapolation from other speed grades, devices, or families. Values are subject to change. Use as estimates, not for production.

**Preliminary:** Based on preliminary characterization. Further changes are not expected.

**Unmarked:** Specifications not identified as either Advance or Preliminary are to be considered Final.

Except for pin-to-pin input and output parameters, the AC parameter delay specifications included in this document are derived from measuring internal test patterns. All limits are representative of worst-case supply voltage and junction temperature conditions. Typical numbers are based on measurements taken at a nominal  $V_{CCINT}$  level of 2.5V and a junction temperature of 25°C. The parameters included are common to popular designs and typical applications. **All specifications are subject to change without notice.**

## DC Specifications

### Absolute Maximum Ratings<sup>(1)</sup>

Symbol	Description	Min	Max	Units	
$V_{CCINT}$	Supply voltage relative to GND <sup>(2)</sup>	-0.5	3.0	V	
$V_{CCO}$	Supply voltage relative to GND <sup>(2)</sup>	-0.5	4.0	V	
$V_{REF}$	Input reference voltage	-0.5	3.6	V	
$V_{IN}$	Input voltage relative to GND <sup>(3)</sup>	5V tolerant I/O <sup>(4)</sup>	-0.5	5.5	V
		No 5V tolerance <sup>(5)</sup>	-0.5	$V_{CCO} + 0.5$	V
$V_{TS}$	Voltage applied to 3-state output	5V tolerant I/O <sup>(4)</sup>	-0.5	5.5	V
		No 5V tolerance <sup>(5)</sup>	-0.5	$V_{CCO} + 0.5$	V
$T_{STG}$	Storage temperature (ambient)	-65	+150	°C	
$T_J$	Junction temperature	-	+125	°C	

#### Notes:

- Stresses beyond those listed under Absolute Maximum Ratings may cause permanent damage to the device. These are stress ratings only, and functional operation of the device at these or any other conditions beyond those listed under Operating Conditions is not implied. Exposure to Absolute Maximum Ratings conditions for extended periods of time may affect device reliability.
- Power supplies may turn on in any order.
- $V_{IN}$  should not exceed  $V_{CCO}$  by more than 3.6V over extended periods of time (e.g., longer than a day).
- Spartan®-II device I/Os are 5V Tolerant whenever the LVTTTL, LVCMOS2, or PCI33\_5 signal standard has been selected. With 5V Tolerant I/Os selected, the Maximum DC overshoot must be limited to either +5.5V or 10 mA, and undershoot must be limited to either -0.5V or 10 mA, whichever is easier to achieve. The Maximum AC conditions are as follows: The device pins may undershoot to -2.0V or overshoot to +7.0V, provided this over/undershoot lasts no more than 11 ns with a forcing current no greater than 100 mA.
- Without 5V Tolerant I/Os selected, the Maximum DC overshoot must be limited to either  $V_{CCO} + 0.5V$  or 10 mA, and undershoot must be limited to -0.5V or 10 mA, whichever is easier to achieve. The Maximum AC conditions are as follows: The device pins may undershoot to -2.0V or overshoot to  $V_{CCO} + 2.0V$ , provided this over/undershoot lasts no more than 11 ns with a forcing current no greater than 100 mA.
- For soldering guidelines, see the [Packaging Information](#) on the Xilinx® web site.

## Recommended Operating Conditions

Symbol	Description		Min	Max	Units
$T_J$	Junction temperature <sup>(1)</sup>	Commercial	0	85	°C
		Industrial	-40	100	°C
$V_{CCINT}$	Supply voltage relative to GND <sup>(2,5)</sup>	Commercial	2.5 – 5%	2.5 + 5%	V
		Industrial	2.5 – 5%	2.5 + 5%	V
$V_{CCO}$	Supply voltage relative to GND <sup>(3,5)</sup>	Commercial	1.4	3.6	V
		Industrial	1.4	3.6	V
$T_{IN}$	Input signal transition time <sup>(4)</sup>		-	250	ns

### Notes:

- At junction temperatures above those listed as Operating Conditions, all delay parameters increase by 0.35% per °C.
- Functional operation is guaranteed down to a minimum  $V_{CCINT}$  of 2.25V (Nominal  $V_{CCINT}$  – 10%). For every 50 mV reduction in  $V_{CCINT}$  below 2.375V (nominal  $V_{CCINT}$  – 5%), all delay parameters increase by 3%.
- Minimum and maximum values for  $V_{CCO}$  vary according to the I/O standard selected.
- Input and output measurement threshold is ~50% of  $V_{CCO}$ . See "Delay Measurement Methodology," page 60 for specific levels.
- Supply voltages may be applied in any order desired.

## DC Characteristics Over Operating Conditions

Symbol	Description		Min	Typ	Max	Units		
$V_{DRINT}$	Data Retention $V_{CCINT}$ voltage (below which configuration data may be lost)		2.0	-	-	V		
$V_{DRIO}$	Data Retention $V_{CCO}$ voltage (below which configuration data may be lost)		1.2	-	-	V		
$I_{CCINTQ}$	Quiescent $V_{CCINT}$ supply current <sup>(1)</sup>	XC2S15	Commercial	-	10	30	mA	
			Industrial	-	10	60	mA	
		XC2S30	Commercial	-	10	30	mA	
			Industrial	-	10	60	mA	
		XC2S50	Commercial	-	12	50	mA	
			Industrial	-	12	100	mA	
		XC2S100	Commercial	-	12	50	mA	
			Industrial	-	12	100	mA	
		XC2S150	Commercial	-	15	50	mA	
			Industrial	-	15	100	mA	
		XC2S200	Commercial	-	15	75	mA	
			Industrial	-	15	150	mA	
		$I_{CCOQ}$	Quiescent $V_{CCO}$ supply current <sup>(1)</sup>		-	-	2	mA
		$I_{REF}$	$V_{REF}$ current per $V_{REF}$ pin		-	-	20	μA
$I_L$	Input or output leakage current <sup>(2)</sup>		-10	-	+10	μA		
$C_{IN}$	Input capacitance (sample tested)	VQ, CS, TQ, PQ, FG packages	-	-	8	pF		
$I_{RPU}$	Pad pull-up (when selected) @ $V_{IN} = 0V$ , $V_{CCO} = 3.3V$ (sample tested) <sup>(3)</sup>		-	-	0.25	mA		
$I_{RPD}$	Pad pull-down (when selected) @ $V_{IN} = 3.6V$ (sample tested) <sup>(3)</sup>		-	-	0.15	mA		

### Notes:

- With no output current loads, no active input pull-up resistors, all I/O pins 3-stated and floating.
- The I/O leakage current specification applies only when the  $V_{CCINT}$  and  $V_{CCO}$  supply voltages have reached their respective minimum Recommended Operating Conditions.
- Internal pull-up and pull-down resistors guarantee valid logic levels at unconnected input pins. These pull-up and pull-down resistors do not provide valid logic levels when input pins are connected to other circuits.

## Power-On Requirements

Spartan-II FPGAs require that a minimum supply current  $I_{CCPO}$  be provided to the  $V_{CCINT}$  lines for a successful power-on. If more current is available, the FPGA can consume more than  $I_{CCPO}$  minimum, though this cannot adversely affect reliability.

A maximum limit for  $I_{CCPO}$  is not specified. Therefore the use of foldback/crowbar supplies and fuses deserves special attention. In these cases, limit the  $I_{CCPO}$  current to a level below the trip point for over-current protection in order to avoid inadvertently shutting down the supply.

Symbol	Description	Conditions		New Requirements <sup>(1)</sup> For Devices with Date Code 0321 or Later		Old Requirements <sup>(1)</sup> For Devices with Date Code before 0321		Units
		Junction Temperature <sup>(2)</sup>	Device Temperature Grade	Min	Max	Min	Max	
$I_{CCPO}$ <sup>(3)</sup>	Total $V_{CCINT}$ supply current required during power-on	$-40^{\circ}\text{C} \leq T_J < -20^{\circ}\text{C}$	Industrial	1.50	-	2.00	-	A
		$-20^{\circ}\text{C} \leq T_J < 0^{\circ}\text{C}$	Industrial	1.00	-	2.00	-	A
		$0^{\circ}\text{C} \leq T_J \leq 85^{\circ}\text{C}$	Commercial	0.25	-	0.50	-	A
		$85^{\circ}\text{C} < T_J \leq 100^{\circ}\text{C}$	Industrial	0.50	-	0.50	-	A
$T_{CCPO}$ <sup>(4,5)</sup>	$V_{CCINT}$ ramp time	$-40^{\circ}\text{C} \leq T_J \leq 100^{\circ}\text{C}$	All	-	50	-	50	ms

**Notes:**

- The date code is printed on the top of the device's package. See the "Device Part Marking" section in Module 1.
- The expected  $T_J$  range for the design determines the  $I_{CCPO}$  minimum requirement. Use the applicable ranges in the junction temperature column to find the associated current values in the appropriate new or old requirements column according to the date code. Then choose the highest of these current values to serve as the minimum  $I_{CCPO}$  requirement that must be met. For example, if the junction temperature for a given design is  $-25^{\circ}\text{C} \leq T_J \leq 75^{\circ}\text{C}$ , then the new minimum  $I_{CCPO}$  requirement is 1.5A. If  $5^{\circ}\text{C} \leq T_J \leq 90^{\circ}\text{C}$ , then the new minimum  $I_{CCPO}$  requirement is 0.5A.
- The  $I_{CCPO}$  requirement applies for a brief time (commonly only a few milliseconds) when  $V_{CCINT}$  ramps from 0 to 2.5V.
- The ramp time is measured from GND to  $V_{CCINT}$  max on a fully loaded board.
- During power-on, the  $V_{CCINT}$  ramp must increase steadily in voltage with no dips.
- For more information on designing to meet the power-on specifications, refer to the application note [XAPP450 "Power-On Current Requirements for the Spartan-II and Spartan-IIe Families"](#)

## DC Input and Output Levels

Values for  $V_{IL}$  and  $V_{IH}$  are recommended input voltages. Values for  $V_{OL}$  and  $V_{OH}$  are guaranteed output voltages over the recommended operating conditions. Only selected standards are tested. These are chosen to ensure that all

standards meet their specifications. The selected standards are tested at minimum  $V_{CCO}$  with the respective  $I_{OL}$  and  $I_{OH}$  currents shown. Other standards are sample tested.

Input/Output Standard	$V_{IL}$		$V_{IH}$		$V_{OL}$	$V_{OH}$	$I_{OL}$	$I_{OH}$
	V, Min	V, Max	V, Min	V, Max	V, Max	V, Min	mA	mA
LVTTL <sup>(1)</sup>	-0.5	0.8	2.0	5.5	0.4	2.4	24	-24
LVC MOS2	-0.5	0.7	1.7	5.5	0.4	1.9	12	-12
PCI, 3.3V	-0.5	44% $V_{CCINT}$	60% $V_{CCINT}$	$V_{CCO} + 0.5$	10% $V_{CCO}$	90% $V_{CCO}$	Note (2)	Note (2)
PCI, 5.0V	-0.5	0.8	2.0	5.5	0.55	2.4	Note (2)	Note (2)
GTL	-0.5	$V_{REF} - 0.05$	$V_{REF} + 0.05$	3.6	0.4	N/A	40	N/A
GTL+	-0.5	$V_{REF} - 0.1$	$V_{REF} + 0.1$	3.6	0.6	N/A	36	N/A
HSTL I	-0.5	$V_{REF} - 0.1$	$V_{REF} + 0.1$	3.6	0.4	$V_{CCO} - 0.4$	8	-8
HSTL III	-0.5	$V_{REF} - 0.1$	$V_{REF} + 0.1$	3.6	0.4	$V_{CCO} - 0.4$	24	-8
HSTL IV	-0.5	$V_{REF} - 0.1$	$V_{REF} + 0.1$	3.6	0.4	$V_{CCO} - 0.4$	48	-8
SSTL3 I	-0.5	$V_{REF} - 0.2$	$V_{REF} + 0.2$	3.6	$V_{REF} - 0.6$	$V_{REF} + 0.6$	8	-8
SSTL3 II	-0.5	$V_{REF} - 0.2$	$V_{REF} + 0.2$	3.6	$V_{REF} - 0.8$	$V_{REF} + 0.8$	16	-16
SSTL2 I	-0.5	$V_{REF} - 0.2$	$V_{REF} + 0.2$	3.6	$V_{REF} - 0.6$	$V_{REF} + 0.6$	7.6	-7.6
SSTL2 II	-0.5	$V_{REF} - 0.2$	$V_{REF} + 0.2$	3.6	$V_{REF} - 0.8$	$V_{REF} + 0.8$	15.2	-15.2

Input/Output Standard	$V_{IL}$		$V_{IH}$		$V_{OL}$	$V_{OH}$	$I_{OL}$	$I_{OH}$
	V, Min	V, Max	V, Min	V, Max	V, Max	V, Min	mA	mA
CTT	-0.5	$V_{REF} - 0.2$	$V_{REF} + 0.2$	3.6	$V_{REF} - 0.4$	$V_{REF} + 0.4$	8	-8
AGP	-0.5	$V_{REF} - 0.2$	$V_{REF} + 0.2$	3.6	10% $V_{CCO}$	90% $V_{CCO}$	Note (2)	Note (2)

**Notes:**

1.  $V_{OL}$  and  $V_{OH}$  for lower drive currents are sample tested.
2. Tested according to the relevant specifications.

## Switching Characteristics

All devices are 100% functionally tested. Internal timing parameters are derived from measuring internal test patterns. Listed below are representative values. For more specific, more precise, and worst-case guaranteed data, use the values reported by the static timing analyzer (TRCE

in the Xilinx Development System) and back-annotated to the simulation netlist. All timing parameters assume worst-case operating conditions (supply voltage and junction temperature). Values apply to all Spartan-II devices unless otherwise noted.

### Global Clock Input to Output Delay for LVTTL, with DLL (Pin-to-Pin)<sup>(1)</sup>

Symbol	Description	Device	Speed Grade			Units
			All	-6	-5	
			Min	Max	Max	
$T_{ICKOFDLL}$	Global clock input to output delay using output flip-flop for LVTTL, 12 mA, fast slew rate, <i>with</i> DLL.	All		2.9	3.3	ns

**Notes:**

1. Listed above are representative values where one global clock input drives one vertical clock line in each accessible column, and where all accessible IOB and CLB flip-flops are clocked by the global clock net.
2. Output timing is measured at 1.4V with 35 pF external capacitive load for LVTTL. The 35 pF load does not apply to the Min values. For other I/O standards and different loads, see the tables "[Constants for Calculating TIOOP](#)" and "[Delay Measurement Methodology](#)," page 60.
3. DLL output jitter is already included in the timing calculation.
4. For data *output* with different standards, adjust delays with the values shown in "[IOB Output Delay Adjustments for Different Standards](#)," page 59. For a global clock input with standards other than LVTTL, adjust delays with values from the "[I/O Standard Global Clock Input Adjustments](#)," page 61.

### Global Clock Input to Output Delay for LVTTL, without DLL (Pin-to-Pin)<sup>(1)</sup>

Symbol	Description	Device	Speed Grade			Units
			All	-6	-5	
			Min	Max	Max	
$T_{ICKOF}$	Global clock input to output delay using output flip-flop for LVTTL, 12 mA, fast slew rate, <i>without</i> DLL.	XC2S15		4.5	5.4	ns
		XC2S30		4.5	5.4	ns
		XC2S50		4.5	5.4	ns
		XC2S100		4.6	5.5	ns
		XC2S150		4.6	5.5	ns
		XC2S200		4.7	5.6	ns

**Notes:**

1. Listed above are representative values where one global clock input drives one vertical clock line in each accessible column, and where all accessible IOB and CLB flip-flops are clocked by the global clock net.
2. Output timing is measured at 1.4V with 35 pF external capacitive load for LVTTL. The 35 pF load does not apply to the Min values. For other I/O standards and different loads, see the tables "[Constants for Calculating TIOOP](#)" and "[Delay Measurement Methodology](#)," page 60.
3. For data *output* with different standards, adjust delays with the values shown in "[IOB Output Delay Adjustments for Different Standards](#)," page 59. For a global clock input with standards other than LVTTL, adjust delays with values from the "[I/O Standard Global Clock Input Adjustments](#)," page 61.

### Global Clock Setup and Hold for LVTTTL Standard, *with* DLL (Pin-to-Pin)

Symbol	Description	Device	Speed Grade		Units
			-6	-5	
			Min	Min	
$T_{PSDLL} / T_{PHDLL}$	Input setup and hold time relative to global clock input signal for LVTTTL standard, no delay, IFF, <sup>(1)</sup> with DLL	All	1.7 / 0	1.9 / 0	ns

**Notes:**

1. IFF = Input Flip-Flop or Latch
2. Setup time is measured relative to the Global Clock input signal with the fastest route and the lightest load. Hold time is measured relative to the Global Clock input signal with the slowest route and heaviest load.
3. DLL output jitter is already included in the timing calculation.
4. A zero hold time listing indicates no hold time or a negative hold time.
5. For data input with different standards, adjust the setup time delay by the values shown in ["IOB Input Delay Adjustments for Different Standards," page 57](#). For a global clock input with standards other than LVTTTL, adjust delays with values from the ["I/O Standard Global Clock Input Adjustments," page 61](#).

### Global Clock Setup and Hold for LVTTTL Standard, *without* DLL (Pin-to-Pin)

Symbol	Description	Device	Speed Grade		Units
			-6	-5	
			Min	Min	
$T_{PSFD} / T_{PHFD}$	Input setup and hold time relative to global clock input signal for LVTTTL standard, no delay, IFF, <sup>(1)</sup> without DLL	XC2S15	2.2 / 0	2.7 / 0	ns
		XC2S30	2.2 / 0	2.7 / 0	ns
		XC2S50	2.2 / 0	2.7 / 0	ns
		XC2S100	2.3 / 0	2.8 / 0	ns
		XC2S150	2.4 / 0	2.9 / 0	ns
		XC2S200	2.4 / 0	3.0 / 0	ns

**Notes:**

1. IFF = Input Flip-Flop or Latch
2. Setup time is measured relative to the Global Clock input signal with the fastest route and the lightest load. Hold time is measured relative to the Global Clock input signal with the slowest route and heaviest load.
3. A zero hold time listing indicates no hold time or a negative hold time.
4. For data input with different standards, adjust the setup time delay by the values shown in ["IOB Input Delay Adjustments for Different Standards," page 57](#). For a global clock input with standards other than LVTTTL, adjust delays with values from the ["I/O Standard Global Clock Input Adjustments," page 61](#).

## IOB Input Switching Characteristics<sup>(1)</sup>

Input delays associated with the pad are specified for LVTTTL levels. For other standards, adjust the delays with the values shown in "IOB Input Delay Adjustments for Different Standards," page 57.

Symbol	Description	Device	Speed Grade				Units
			-6		-5		
			Min	Max	Min	Max	
<b>Propagation Delays</b>							
$T_{IOPI}$	Pad to I output, no delay	All	-	0.8	-	1.0	ns
$T_{IOPID}$	Pad to I output, with delay	All	-	1.5	-	1.8	ns
$T_{IOPLI}$	Pad to output IQ via transparent latch, no delay	All	-	1.7	-	2.0	ns
$T_{IOPLID}$	Pad to output IQ via transparent latch, with delay	XC2S15	-	3.8	-	4.5	ns
		XC2S30	-	3.8	-	4.5	ns
		XC2S50	-	3.8	-	4.5	ns
		XC2S100	-	3.8	-	4.5	ns
		XC2S150	-	4.0	-	4.7	ns
		XC2S200	-	4.0	-	4.7	ns
<b>Sequential Delays</b>							
$T_{IOCKIQ}$	Clock CLK to output IQ	All	-	0.7	-	0.8	ns
<b>Setup/Hold Times with Respect to Clock CLK<sup>(2)</sup></b>							
$T_{IOPICK} / T_{IOICKP}$	Pad, no delay	All	1.7 / 0	-	1.9 / 0	-	ns
$T_{IOPICKD} / T_{IOICKPD}$	Pad, with delay <sup>(1)</sup>	XC2S15	3.8 / 0	-	4.4 / 0	-	ns
		XC2S30	3.8 / 0	-	4.4 / 0	-	ns
		XC2S50	3.8 / 0	-	4.4 / 0	-	ns
		XC2S100	3.8 / 0	-	4.4 / 0	-	ns
		XC2S150	3.9 / 0	-	4.6 / 0	-	ns
		XC2S200	3.9 / 0	-	4.6 / 0	-	ns
$T_{IOICECK} / T_{IOICKICE}$	ICE input	All	0.9 / 0.01	-	0.9 / 0.01	-	ns
<b>Set/Reset Delays</b>							
$T_{IOSRCKI}$	SR input (IFF, synchronous)	All	-	1.1	-	1.2	ns
$T_{IOSRIQ}$	SR input to IQ (asynchronous)	All	-	1.5	-	1.7	ns
$T_{GSRQ}$	GSR to output IQ	All	-	9.9	-	11.7	ns

### Notes:

- Input timing for LVTTTL is measured at 1.4V. For other I/O standards, see the table "Delay Measurement Methodology," page 60.
- A zero hold time listing indicates no hold time or a negative hold time.



## IOB Input Delay Adjustments for Different Standards<sup>(1)</sup>

Input delays associated with the pad are specified for LVTTTL. For other standards, adjust the delays by the values shown. A delay adjusted in this way constitutes a worst-case limit.

Symbol	Description	Standard	Speed Grade		Units
			-6	-5	
<b>Data Input Delay Adjustments</b>					
$T_{ILVTTTL}$	Standard-specific data input delay adjustments	LVTTTL	0	0	ns
$T_{ILVCMOS2}$		LVCOS2	-0.04	-0.05	ns
$T_{IPCI33\_3}$		PCI, 33 MHz, 3.3V	-0.11	-0.13	ns
$T_{IPCI33\_5}$		PCI, 33 MHz, 5.0V	0.26	0.30	ns
$T_{IPCI66\_3}$		PCI, 66 MHz, 3.3V	-0.11	-0.13	ns
$T_{IGTL}$		GTL	0.20	0.24	ns
$T_{IGTLP}$		GTL+	0.11	0.13	ns
$T_{IHSTL}$		HSTL	0.03	0.04	ns
$T_{ISSTL2}$		SSTL2	-0.08	-0.09	ns
$T_{ISSTL3}$		SSTL3	-0.04	-0.05	ns
$T_{ICTT}$		CTT	0.02	0.02	ns
$T_{IAGP}$		AGP	-0.06	-0.07	ns

### Notes:

- Input timing for LVTTTL is measured at 1.4V. For other I/O standards, see the table ["Delay Measurement Methodology," page 60](#).

## IOB Output Switching Characteristics

Output delays terminating at a pad are specified for LVTTTL with 12 mA drive and fast slew rate. For other standards, adjust the delays with the values shown in "IOB Output Delay Adjustments for Different Standards," page 59.

Symbol	Description	Speed Grade				Units
		-6		-5		
		Min	Max	Min	Max	
<b>Propagation Delays</b>						
$T_{IOOP}$	O input to pad	-	2.9	-	3.4	ns
$T_{IOOLP}$	O input to pad via transparent latch	-	3.4	-	4.0	ns
<b>3-state Delays</b>						
$T_{IOTHZ}$	T input to pad high-impedance <sup>(1)</sup>	-	2.0	-	2.3	ns
$T_{IOTON}$	T input to valid data on pad	-	3.0	-	3.6	ns
$T_{IOTLPHZ}$	T input to pad high impedance via transparent latch <sup>(1)</sup>	-	2.5	-	2.9	ns
$T_{IOTLPON}$	T input to valid data on pad via transparent latch	-	3.5	-	4.2	ns
$T_{GTS}$	GTS to pad high impedance <sup>(1)</sup>	-	5.0	-	5.9	ns
<b>Sequential Delays</b>						
$T_{IOCKP}$	Clock CLK to pad	-	2.9	-	3.4	ns
$T_{IOCKHZ}$	Clock CLK to pad high impedance (synchronous) <sup>(1)</sup>	-	2.3	-	2.7	ns
$T_{IOCKON}$	Clock CLK to valid data on pad (synchronous)	-	3.3	-	4.0	ns
<b>Setup/Hold Times with Respect to Clock CLK<sup>(2)</sup></b>						
$T_{IOOCK} / T_{IOCKO}$	O input	1.1 / 0	-	1.3 / 0	-	ns
$T_{IOOCECK} / T_{IOCKOCE}$	OCE input	0.9 / 0.01	-	0.9 / 0.01	-	ns
$T_{IOSRCKO} / T_{IOCKOSR}$	SR input (OFF)	1.2 / 0	-	1.3 / 0	-	ns
$T_{IOTCK} / T_{IOCKT}$	3-state setup times, T input	0.8 / 0	-	0.9 / 0	-	ns
$T_{IOTCECK} / T_{IOCKTCE}$	3-state setup times, TCE input	1.0 / 0	-	1.0 / 0	-	ns
$T_{IOSRCKT} / T_{IOCKTSR}$	3-state setup times, SR input (TFF)	1.1 / 0	-	1.2 / 0	-	ns
<b>Set/Reset Delays</b>						
$T_{IOSRP}$	SR input to pad (asynchronous)	-	3.7	-	4.4	ns
$T_{IOSRHZ}$	SR input to pad high impedance (asynchronous) <sup>(1)</sup>	-	3.1	-	3.7	ns
$T_{IOSRON}$	SR input to valid data on pad (asynchronous)	-	4.1	-	4.9	ns
$T_{IOGSRQ}$	GSR to pad	-	9.9	-	11.7	ns

### Notes:

1. Three-state turn-off delays should not be adjusted.
2. A zero hold time listing indicates no hold time or a negative hold time.

## IOB Output Delay Adjustments for Different Standards<sup>(1)</sup>

Output delays terminating at a pad are specified for LVTTTL with 12 mA drive and fast slew rate. For other standards, adjust the delays by the values shown. A delay adjusted in this way constitutes a worst-case limit.

Symbol	Description	Standard	Speed Grade		Units
			-6	-5	
<b>Output Delay Adjustments (Adj)</b>					
$T_{OLVTTL\_S2}$	Standard-specific adjustments for output delays terminating at pads (based on standard capacitive load, $C_{SL}$ )	LVTTTL, Slow, 2 mA	14.2	16.9	ns
$T_{OLVTTL\_S4}$		4 mA	7.2	8.6	ns
$T_{OLVTTL\_S6}$		6 mA	4.7	5.5	ns
$T_{OLVTTL\_S8}$		8 mA	2.9	3.5	ns
$T_{OLVTTL\_S12}$		12 mA	1.9	2.2	ns
$T_{OLVTTL\_S16}$		16 mA	1.7	2.0	ns
$T_{OLVTTL\_S24}$		24 mA	1.3	1.5	ns
$T_{OLVTTL\_F2}$		LVTTTL, Fast, 2 mA	12.6	15.0	ns
$T_{OLVTTL\_F4}$		4 mA	5.1	6.1	ns
$T_{OLVTTL\_F6}$		6 mA	3.0	3.6	ns
$T_{OLVTTL\_F8}$		8 mA	1.0	1.2	ns
$T_{OLVTTL\_F12}$		12 mA	0	0	ns
$T_{OLVTTL\_F16}$		16 mA	-0.1	-0.1	ns
$T_{OLVTTL\_F24}$		24 mA	-0.1	-0.2	ns
$T_{OLVCMOS2}$		LVC MOS2	0.2	0.2	ns
$T_{OPCI33\_3}$		PCI, 33 MHz, 3.3V	2.4	2.9	ns
$T_{OPCI33\_5}$		PCI, 33 MHz, 5.0V	2.9	3.5	ns
$T_{OPCI66\_3}$		PCI, 66 MHz, 3.3V	-0.3	-0.4	ns
$T_{OGTL}$		GTL	0.6	0.7	ns
$T_{OGTLP}$		GTL+	0.9	1.1	ns
$T_{OHSTL\_I}$		HSTL I	-0.4	-0.5	ns
$T_{OHSTL\_III}$		HSTL III	-0.8	-1.0	ns
$T_{OHSTL\_IV}$		HSTL IV	-0.9	-1.1	ns
$T_{OSSTL2\_I}$		SSTL2 I	-0.4	-0.5	ns
$T_{OSSTL2\_II}$	SSTL2 II	-0.8	-1.0	ns	
$T_{OSSTL3\_I}$	SSTL3 I	-0.4	-0.5	ns	
$T_{OSSTL3\_II}$	SSTL3 II	-0.9	-1.1	ns	
$T_{OCTT}$	CTT	-0.5	-0.6	ns	
$T_{OAGP}$	AGP	-0.8	-1.0	ns	

### Notes:

- Output timing is measured at 1.4V with 35 pF external capacitive load for LVTTTL. For other I/O standards and different loads, see the tables "[Constants for Calculating TIOOP](#)" and "[Delay Measurement Methodology](#)," page 60.

## Calculation of $T_{IOOP}$ as a Function of Capacitance

$T_{IOOP}$  is the propagation delay from the O Input of the IOB to the pad. The values for  $T_{IOOP}$  are based on the standard capacitive load ( $C_{SL}$ ) for each I/O standard as listed in the table "Constants for Calculating  $T_{IOOP}$ ", below.

For other capacitive loads, use the formulas below to calculate an adjusted propagation delay,  $T_{IOOP1}$ .

$$T_{IOOP1} = T_{IOOP} + Adj + (C_{LOAD} - C_{SL}) * F_L$$

Where:

Adj is selected from "IOB Output Delay Adjustments for Different Standards", page 59, according to the I/O standard used

$C_{LOAD}$  is the capacitive load for the design

$F_L$  is the capacitance scaling factor

## Delay Measurement Methodology

Standard	$V_L^{(1)}$	$V_H^{(1)}$	Meas. Point	$V_{REF}$ Typ <sup>(2)</sup>
LVTTL	0	3	1.4	-
LVC MOS2	0	2.5	1.125	-
PCI33_5	Per PCI Spec			-
PCI33_3	Per PCI Spec			-
PCI66_3	Per PCI Spec			-
GTL	$V_{REF} - 0.2$	$V_{REF} + 0.2$	$V_{REF}$	0.80
GTL+	$V_{REF} - 0.2$	$V_{REF} + 0.2$	$V_{REF}$	1.0
HSTL Class I	$V_{REF} - 0.5$	$V_{REF} + 0.5$	$V_{REF}$	0.75
HSTL Class III	$V_{REF} - 0.5$	$V_{REF} + 0.5$	$V_{REF}$	0.90
HSTL Class IV	$V_{REF} - 0.5$	$V_{REF} + 0.5$	$V_{REF}$	0.90
SSTL3 I and II	$V_{REF} - 1.0$	$V_{REF} + 1.0$	$V_{REF}$	1.5
SSTL2 I and II	$V_{REF} - 0.75$	$V_{REF} + 0.75$	$V_{REF}$	1.25
CTT	$V_{REF} - 0.2$	$V_{REF} + 0.2$	$V_{REF}$	1.5
AGP	$V_{REF} - (0.2 \times V_{CCO})$	$V_{REF} + (0.2 \times V_{CCO})$	$V_{REF}$	Per AGP Spec

### Notes:

1. Input waveform switches between  $V_L$  and  $V_H$ .
2. Measurements are made at  $V_{REF}$  Typ, Maximum, and Minimum. Worst-case values are reported.
3. I/O parameter measurements are made with the capacitance values shown in the table, "Constants for Calculating  $T_{IOOP}$ ". See Xilinx application note [XAPP179](#) for the appropriate terminations.
4. I/O standard measurements are reflected in the IBIS model information except where the IBIS format precludes it.

## Constants for Calculating $T_{IOOP}$

Standard	$C_{SL}^{(1)}$ (pF)	$F_L$ (ns/pF)
LVTTL Fast Slew Rate, 2 mA drive	35	0.41
LVTTL Fast Slew Rate, 4 mA drive	35	0.20
LVTTL Fast Slew Rate, 6 mA drive	35	0.13
LVTTL Fast Slew Rate, 8 mA drive	35	0.079
LVTTL Fast Slew Rate, 12 mA drive	35	0.044
LVTTL Fast Slew Rate, 16 mA drive	35	0.043
LVTTL Fast Slew Rate, 24 mA drive	35	0.033
LVTTL Slow Slew Rate, 2 mA drive	35	0.41
LVTTL Slow Slew Rate, 4 mA drive	35	0.20
LVTTL Slow Slew Rate, 6 mA drive	35	0.100
LVTTL Slow Slew Rate, 8 mA drive	35	0.086
LVTTL Slow Slew Rate, 12 mA drive	35	0.058
LVTTL Slow Slew Rate, 16 mA drive	35	0.050
LVTTL Slow Slew Rate, 24 mA drive	35	0.048
LVC MOS2	35	0.041
PCI 33 MHz 5V	50	0.050
PCI 33 MHz 3.3V	10	0.050
PCI 66 MHz 3.3V	10	0.033
GTL	0	0.014
GTL+	0	0.017
HSTL Class I	20	0.022
HSTL Class III	20	0.016
HSTL Class IV	20	0.014
SSTL2 Class I	30	0.028
SSTL2 Class II	30	0.016
SSTL3 Class I	30	0.029
SSTL3 Class II	30	0.016
CTT	20	0.035
AGP	10	0.037

### Notes:

1. I/O parameter measurements are made with the capacitance values shown above. See Xilinx application note [XAPP179](#) for the appropriate terminations.
2. I/O standard measurements are reflected in the IBIS model information except where the IBIS format precludes it.

## Clock Distribution Guidelines<sup>(1)</sup>

Symbol	Description	Speed Grade		Units
		-6	-5	
		Max	Max	
<b>GCLK Clock Skew</b>				
$T_{\text{GSKEWIOB}}$	Global clock skew between IOB flip-flops	0.13	0.14	ns

### Notes:

- These clock distribution delays are provided for guidance only. They reflect the delays encountered in a typical design under worst-case conditions. Precise values for a particular design are provided by the timing analyzer.

## Clock Distribution Switching Characteristics

$T_{\text{GPIO}}$  is specified for LVTTTL levels. For other standards, adjust  $T_{\text{GPIO}}$  with the values shown in "[I/O Standard Global Clock Input Adjustments](#)".

Symbol	Description	Speed Grade		Units
		-6	-5	
		Max	Max	
<b>GCLK IOB and Buffer</b>				
$T_{\text{GPIO}}$	Global clock pad to output	0.7	0.8	ns
$T_{\text{GIO}}$	Global clock buffer I input to O output	0.7	0.8	ns

## I/O Standard Global Clock Input Adjustments

Delays associated with a global clock input pad are specified for LVTTTL levels. For other standards, adjust the delays by the values shown. A delay adjusted in this way constitutes a worst-case limit.

Symbol	Description	Standard	Speed Grade		Units
			-6	-5	
<b>Data Input Delay Adjustments</b>					
$T_{\text{GPLVTTL}}$	Standard-specific global clock input delay adjustments	LVTTTL	0	0	ns
$T_{\text{GPLVCMOS2}}$		LVCMS02	-0.04	-0.05	ns
$T_{\text{GPPCI33}_3}$		PCI, 33 MHz, 3.3V	-0.11	-0.13	ns
$T_{\text{GPPCI33}_5}$		PCI, 33 MHz, 5.0V	0.26	0.30	ns
$T_{\text{GPPCI66}_3}$		PCI, 66 MHz, 3.3V	-0.11	-0.13	ns
$T_{\text{GPGTL}}$		GTL	0.80	0.84	ns
$T_{\text{GPGTLP}}$		GTL+	0.71	0.73	ns
$T_{\text{GPHSTL}}$		HSTL	0.63	0.64	ns
$T_{\text{GPSSTL2}}$		SSTL2	0.52	0.51	ns
$T_{\text{GPSSTL3}}$		SSTL3	0.56	0.55	ns
$T_{\text{GPCTT}}$		CTT	0.62	0.62	ns
$T_{\text{GPAGP}}$		AGP	0.54	0.53	ns

### Notes:

- Input timing for GPLVTTL is measured at 1.4V. For other I/O standards, see the table "[Delay Measurement Methodology](#)," page 60.

## DLL Timing Parameters

All devices are 100 percent functionally tested. Because of the difficulty in directly measuring many internal timing parameters, those parameters are derived from benchmark

timing patterns. The following guidelines reflect worst-case values across the recommended operating conditions.

Symbol	Description	Speed Grade				Units
		-6		-5		
		Min	Max	Min	Max	
$F_{CLKINH}$	Input clock frequency (CLKDLLHF)	60	200	60	180	MHz
$F_{CLKINL}$	Input clock frequency (CLKDLL)	25	100	25	90	MHz
$T_{DLLPWH}$	Input clock pulse width (CLKDLLHF)	2.0	-	2.4	-	ns
$T_{DLLPWL}$	Input clock pulse width (CLKDLL)	2.5	-	3.0	-	ns

## DLL Clock Tolerance, Jitter, and Phase Information

All DLL output jitter and phase specifications were determined through statistical measurement at the package pins using a clock mirror configuration and matched drivers.

Figure 52, page 63, provides definitions for various parameters in the table below.

Symbol	Description	$F_{CLKIN}$	CLKDLLHF		CLKDLL		Units
			Min	Max	Min	Max	
$T_{IPTOL}$	Input clock period tolerance		-	1.0	-	1.0	ns
$T_{IJITCC}$	Input clock jitter tolerance (cycle-to-cycle)		-	$\pm 150$	-	$\pm 300$	ps
$T_{LOCK}$	Time required for DLL to acquire lock	> 60 MHz	-	20	-	20	$\mu$ s
		50-60 MHz	-	-	-	25	$\mu$ s
		40-50 MHz	-	-	-	50	$\mu$ s
		30-40 MHz	-	-	-	90	$\mu$ s
		25-30 MHz	-	-	-	120	$\mu$ s
$T_{OJITCC}$	Output jitter (cycle-to-cycle) for any DLL clock output <sup>(1)</sup>		-	$\pm 60$	-	$\pm 60$	ps
$T_{PHIO}$	Phase offset between CLKIN and CLKO <sup>(2)</sup>		-	$\pm 100$	-	$\pm 100$	ps
$T_{PHOO}$	Phase offset between clock outputs on the DLL <sup>(3)</sup>		-	$\pm 140$	-	$\pm 140$	ps
$T_{PHIOM}$	Maximum phase difference between CLKIN and CLKO <sup>(4)</sup>		-	$\pm 160$	-	$\pm 160$	ps
$T_{PHOOM}$	Maximum phase difference between clock outputs on the DLL <sup>(5)</sup>		-	$\pm 200$	-	$\pm 200$	ps

### Notes:

- Output Jitter** is cycle-to-cycle jitter measured on the DLL output clock, *excluding* input clock jitter.
- Phase Offset between CLKIN and CLKO** is the worst-case fixed time difference between rising edges of CLKIN and CLKO, *excluding* output jitter and input clock jitter.
- Phase Offset between Clock Outputs on the DLL** is the worst-case fixed time difference between rising edges of any two DLL outputs, *excluding* Output Jitter and input clock jitter.
- Maximum Phase Difference between CLKIN and CLKO** is the sum of Output Jitter and Phase Offset between CLKIN and CLKO, or the greatest difference between CLKIN and CLKO rising edges due to DLL alone (*excluding* input clock jitter).
- Maximum Phase Difference between Clock Outputs on the DLL** is the sum of Output Jitter and Phase Offset between any two DLL clock outputs, or the greatest difference between any two DLL output rising edges due to DLL alone (*excluding* input clock jitter).

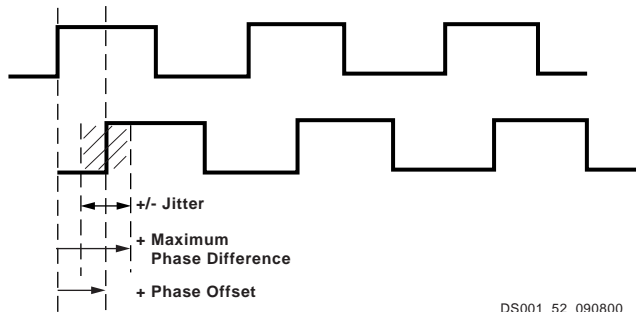
**Period Tolerance:** the allowed input clock period change in nanoseconds.



**Output Jitter:** the difference between an ideal reference clock edge and the actual design.



**Phase Offset and Maximum Phase Difference**



DS001\_52\_090800

Figure 52: Period Tolerance and Clock Jitter

## CLB Switching Characteristics

Delays originating at F/G inputs vary slightly according to the input used. The values listed below are worst-case. Precise values are provided by the timing analyzer.

Symbol	Description	Speed Grade				Units
		-6		-5		
		Min	Max	Min	Max	
<b>Combinatorial Delays</b>						
$T_{ILO}$	4-input function: F/G inputs to X/Y outputs	-	0.6	-	0.7	ns
$T_{IF5}$	5-input function: F/G inputs to F5 output	-	0.7	-	0.9	ns
$T_{IF5X}$	5-input function: F/G inputs to X output	-	0.9	-	1.1	ns
$T_{IF6Y}$	6-input function: F/G inputs to Y output via F6 MUX	-	1.0	-	1.1	ns
$T_{F5INY}$	6-input function: F5IN input to Y output	-	0.4	-	0.4	ns
$T_{IFNCTL}$	Incremental delay routing through transparent latch to XQ/YQ outputs	-	0.7	-	0.9	ns
$T_{BYYB}$	BY input to YB output	-	0.6	-	0.7	ns
<b>Sequential Delays</b>						
$T_{CKO}$	FF clock CLK to XQ/YQ outputs	-	1.1	-	1.3	ns
$T_{CKLO}$	Latch clock CLK to XQ/YQ outputs	-	1.2	-	1.5	ns
<b>Setup/Hold Times with Respect to Clock CLK<sup>(1)</sup></b>						
$T_{ICK} / T_{CKI}$	4-input function: F/G inputs	1.3 / 0	-	1.4 / 0	-	ns
$T_{IF5CK} / T_{CKIF5}$	5-input function: F/G inputs	1.6 / 0	-	1.8 / 0	-	ns
$T_{F5INCK} / T_{CKF5IN}$	6-input function: F5IN input	1.0 / 0	-	1.1 / 0	-	ns
$T_{IF6CK} / T_{CKIF6}$	6-input function: F/G inputs via F6 MUX	1.6 / 0	-	1.8 / 0	-	ns
$T_{DICK} / T_{CKDI}$	BX/BY inputs	0.8 / 0	-	0.8 / 0	-	ns
$T_{CECK} / T_{CKCE}$	CE input	0.9 / 0	-	0.9 / 0	-	ns
$T_{RCK} / T_{CKR}$	SR/BY inputs (synchronous)	0.8 / 0	-	0.8 / 0	-	ns
<b>Clock CLK</b>						
$T_{CH}$	Minimum pulse width, High	-	1.9	-	1.9	ns
$T_{CL}$	Minimum pulse width, Low	-	1.9	-	1.9	ns
<b>Set/Reset</b>						
$T_{RPW}$	Minimum pulse width, SR/BY inputs	3.1	-	3.1	-	ns
$T_{RQ}$	Delay from SR/BY inputs to XQ/YQ outputs (asynchronous)	-	1.1	-	1.3	ns
$T_{IOGSRQ}$	Delay from GSR to XQ/YQ outputs	-	9.9	-	11.7	ns
$F_{TOG}$	Toggle frequency (for export control)	-	263	-	263	MHz

### Notes:

1. A zero hold time listing indicates no hold time or a negative hold time.



## CLB Arithmetic Switching Characteristics

Setup times not listed explicitly can be approximated by decreasing the combinatorial delays by the setup time adjustment listed. Precise values are provided by the timing analyzer.

Symbol	Description	Speed Grade				Units
		-6		-5		
		Min	Max	Min	Max	
<b>Combinatorial Delays</b>						
$T_{OPX}$	F operand inputs to X via XOR	-	0.8	-	0.9	ns
$T_{OPXB}$	F operand input to XB output	-	1.3	-	1.5	ns
$T_{OPY}$	F operand input to Y via XOR	-	1.7	-	2.0	ns
$T_{OPYB}$	F operand input to YB output	-	1.7	-	2.0	ns
$T_{OPCYF}$	F operand input to COUT output	-	1.3	-	1.5	ns
$T_{OPGY}$	G operand inputs to Y via XOR	-	0.9	-	1.1	ns
$T_{OPGYB}$	G operand input to YB output	-	1.6	-	2.0	ns
$T_{OPCYG}$	G operand input to COUT output	-	1.2	-	1.4	ns
$T_{BXCX}$	BX initialization input to COUT	-	0.9	-	1.0	ns
$T_{CINX}$	CIN input to X output via XOR	-	0.4	-	0.5	ns
$T_{CINXB}$	CIN input to XB	-	0.1	-	0.1	ns
$T_{CINY}$	CIN input to Y via XOR	-	0.5	-	0.6	ns
$T_{CINYB}$	CIN input to YB	-	0.6	-	0.7	ns
$T_{BYP}$	CIN input to COUT output	-	0.1	-	0.1	ns
<b>Multiplier Operation</b>						
$T_{FANDXB}$	F1/2 operand inputs to XB output via AND	-	0.5	-	0.5	ns
$T_{FANDYB}$	F1/2 operand inputs to YB output via AND	-	0.9	-	1.1	ns
$T_{FANDCY}$	F1/2 operand inputs to COUT output via AND	-	0.5	-	0.6	ns
$T_{GANDYB}$	G1/2 operand inputs to YB output via AND	-	0.6	-	0.7	ns
$T_{GANDCY}$	G1/2 operand inputs to COUT output via AND	-	0.2	-	0.2	ns
<b>Setup/Hold Times with Respect to Clock CLK<sup>(1)</sup></b>						
$T_{CCKX} / T_{CKCX}$	CIN input to FFX	1.1 / 0	-	1.2 / 0	-	ns
$T_{CCKY} / T_{CKCY}$	CIN input to FFY	1.2 / 0	-	1.3 / 0	-	ns

### Notes:

1. A zero hold time listing indicates no hold time or a negative hold time.

## CLB Distributed RAM Switching Characteristics

Symbol	Description	Speed Grade				Units
		-6		-5		
		Min	Max	Min	Max	
<b>Sequential Delays</b>						
$T_{SHCKO16}$	Clock CLK to X/Y outputs (WE active, 16 x 1 mode)	-	2.2	-	2.6	ns
$T_{SHCKO32}$	Clock CLK to X/Y outputs (WE active, 32 x 1 mode)	-	2.5	-	3.0	ns
<b>Setup/Hold Times with Respect to Clock CLK<sup>(1)</sup></b>						
$T_{AS} / T_{AH}$	F/G address inputs	0.7 / 0	-	0.7 / 0	-	ns
$T_{DS} / T_{DH}$	BX/BY data inputs (DIN)	0.8 / 0	-	0.9 / 0	-	ns
$T_{WS} / T_{WH}$	CE input (WS)	0.9 / 0	-	1.0 / 0	-	ns
<b>Clock CLK</b>						
$T_{WPH}$	Minimum pulse width, High	-	2.9	-	2.9	ns
$T_{WPL}$	Minimum pulse width, Low	-	2.9	-	2.9	ns
$T_{WC}$	Minimum clock period to meet address write cycle time	-	5.8	-	5.8	ns

**Notes:**

1. A zero hold time listing indicates no hold time or a negative hold time.

## CLB Shift Register Switching Characteristics

Symbol	Description	Speed Grade				Units
		-6		-5		
		Min	Max	Min	Max	
<b>Sequential Delays</b>						
$T_{REG}$	Clock CLK to X/Y outputs	-	3.47	-	3.88	ns
<b>Setup Times with Respect to Clock CLK</b>						
$T_{SHDICK}$	BX/BY data inputs (DIN)	0.8	-	0.9	-	ns
$T_{SHCECK}$	CE input (WS)	0.9	-	1.0	-	ns
<b>Clock CLK</b>						
$T_{SRPH}$	Minimum pulse width, High	-	2.9	-	2.9	ns
$T_{SRPL}$	Minimum pulse width, Low	-	2.9	-	2.9	ns

## Block RAM Switching Characteristics

Symbol	Description	Speed Grade				Units
		-6		-5		
		Min	Max	Min	Max	
<b>Sequential Delays</b>						
$T_{BCKO}$	Clock CLK to DOUT output	-	3.4	-	4.0	ns
<b>Setup/Hold Times with Respect to Clock CLK<sup>(1)</sup></b>						
$T_{BACK} / T_{BCKA}$	ADDR inputs	1.4 / 0	-	1.4 / 0	-	ns
$T_{BDCK} / T_{BCKD}$	DIN inputs	1.4 / 0	-	1.4 / 0	-	ns
$T_{BECK} / T_{BCKE}$	EN inputs	2.9 / 0	-	3.2 / 0	-	ns
$T_{BRCK} / T_{BCKR}$	RST input	2.7 / 0	-	2.9 / 0	-	ns
$T_{BWCK} / T_{BCKW}$	WEN input	2.6 / 0	-	2.8 / 0	-	ns
<b>Clock CLK</b>						
$T_{BPWH}$	Minimum pulse width, High	-	1.9	-	1.9	ns
$T_{BPWL}$	Minimum pulse width, Low	-	1.9	-	1.9	ns
$T_{BCCS}$	CLKA -> CLKB setup time for different ports	-	3.0	-	4.0	ns

### Notes:

1. A zero hold time listing indicates no hold time or a negative hold time.

## TBUF Switching Characteristics

Symbol	Description	Speed Grade		Units
		-6	-5	
		Max	Max	
<b>Combinatorial Delays</b>				
$T_{IO}$	IN input to OUT output	0	0	ns
$T_{OFF}$	TRI input to OUT output high impedance	0.1	0.2	ns
$T_{ON}$	TRI input to valid data on OUT output	0.1	0.2	ns

## JTAG Test Access Port Switching Characteristics

Symbol	Description	Speed Grade				Units
		-6		-5		
		Min	Max	Min	Max	
<b>Setup and Hold Times with Respect to TCK</b>						
$T_{TAPTCK} / T_{TCKTAP}$	TMS and TDI setup and hold times	4.0 / 2.0	-	4.0 / 2.0	-	ns
<b>Sequential Delays</b>						
$T_{TCKTDO}$	Output delay from clock TCK to output TDO	-	11.0	-	11.0	ns
$f_{TCK}$	Maximum TCK clock frequency	-	33	-	33	MHz

## Revision History

Date	Version No.	Description
09/18/00	2.0	Sectioned the Spartan-II Family data sheet into four modules. Updated timing to reflect the latest speed files. Added current supply numbers and XC2S200 -5 timing numbers. Approved -5 timing numbers as preliminary information with exceptions as noted.
11/02/00	2.1	Removed Power Down feature.
01/19/01	2.2	DC and timing numbers updated to Preliminary for the XC2S50 and XC2S100. Industrial power-on current specifications and -6 DLL timing numbers added. Power-on specification clarified.
03/09/01	2.3	Added note on power sequencing. Clarified power-on current requirement.
08/28/01	2.4	Added -6 preliminary timing. Added typical and industrial standby current numbers. Specified min. power-on current by junction temperature instead of by device type (Commercial vs. Industrial). Eliminated minimum $V_{CCINT}$ ramp time requirement. Removed footnote limiting DLL operation to the Commercial temperature range.
07/26/02	2.5	Clarified that I/O leakage current is specified over the Recommended Operating Conditions for $V_{CCINT}$ and $V_{CCO}$ .
08/26/02	2.6	Added references for XAPP450 to Power-On Current Specification.
09/03/03	2.7	Added relaxed minimum power-on current ( $I_{CCPO}$ ) requirements to <a href="#">page 53</a> . On <a href="#">page 64</a> , moved $T_{RPW}$ values from maximum to minimum column.
06/13/08	2.8	Updated I/O measurement thresholds. Updated description and links. Updated all modules for continuous page, figure, and table numbering. Synchronized all modules to v2.8.

## Introduction

This section describes how the various pins on a Spartan®-II FPGA connect within the supported component packages, and provides device-specific thermal characteristics. Spartan-II FPGAs are available in both standard and Pb-free, RoHS versions of each package, with the Pb-free version adding a “G” to the middle of the package code. Except for the thermal characteristics, all

information for the standard package applies equally to the Pb-free package.

## Pin Types

Most pins on a Spartan-II FPGA are general-purpose, user-defined I/O pins. There are, however, different functional types of pins on Spartan-II FPGA packages, as outlined in [Table 35](#).

Table 35: Pin Definitions

Pin Name	Dedicated	Direction	Description
GCK0, GCK1, GCK2, GCK3	No	Input	Clock input pins that connect to Global Clock Buffers. These pins become user inputs when not needed for clocks.
M0, M1, M2	Yes	Input	Mode pins are used to specify the configuration mode.
CCLK	Yes	Input or Output	The configuration Clock I/O pin. It is an input for slave-parallel and slave-serial modes, and output in master-serial mode.
$\overline{\text{PROGRAM}}$	Yes	Input	Initiates a configuration sequence when asserted Low.
DONE	Yes	Bidirectional	Indicates that configuration loading is complete, and that the start-up sequence is in progress. The output may be open drain.
$\overline{\text{INIT}}$	No	Bidirectional (Open-drain)	When Low, indicates that the configuration memory is being cleared. This pin becomes a user I/O after configuration.
BUSY/DOUT	No	Output	In Slave Parallel mode, BUSY controls the rate at which configuration data is loaded. This pin becomes a user I/O after configuration unless the Slave Parallel port is retained. In serial modes, DOUT provides configuration data to downstream devices in a daisy-chain. This pin becomes a user I/O after configuration.
D0/DIN, D1, D2, D3, D4, D5, D6, D7	No	Input or Output	In Slave Parallel mode, D0-D7 are configuration data input pins. During readback, D0-D7 are output pins. These pins become user I/Os after configuration unless the Slave Parallel port is retained. In serial modes, DIN is the single data input. This pin becomes a user I/O after configuration.
$\overline{\text{WRITE}}$	No	Input	In Slave Parallel mode, the active-low Write Enable signal. This pin becomes a user I/O after configuration unless the Slave Parallel port is retained.
$\overline{\text{CS}}$	No	Input	In Slave Parallel mode, the active-low Chip Select signal. This pin becomes a user I/O after configuration unless the Slave Parallel port is retained.
TDI, TDO, TMS, TCK	Yes	Mixed	Boundary Scan Test Access Port pins (IEEE 1149.1).
V <sub>CCINT</sub>	Yes	Input	Power supply pins for the internal core logic.
V <sub>CCO</sub>	Yes	Input	Power supply pins for output drivers (subject to banking rules)
V <sub>REF</sub>	No	Input	Input threshold voltage pins. Become user I/Os when an external threshold voltage is not needed (subject to banking rules).
GND	Yes	Input	Ground.
IRDY, TRDY	No	See PCI core documentation	These signals can only be accessed when using Xilinx® PCI cores. If the cores are not used, these pins are available as user I/Os.

Table 36: Spartan-II Family Package Options

Package	Leads	Type	Maximum I/O	Lead Pitch (mm)	Footprint Area (mm)	Height (mm)	Mass <sup>(1)</sup> (g)
VQ100 / VQG100	100	Very Thin Quad Flat Pack (VQFP)	60	0.5	16 x 16	1.20	0.6
TQ144 / TQG144	144	Thin Quad Flat Pack (TQFP)	92	0.5	22 x 22	1.60	1.4
CS144 / CSG144	144	Chip Scale Ball Grid Array (CSBGA)	92	0.8	12 x 12	1.20	0.3
PQ208 / PQG208	208	Plastic Quad Flat Pack (PQFP)	140	0.5	30.6 x 30.6	3.70	5.3
FG256 / FGG256	256	Fine-pitch Ball Grid Array (FBGA)	176	1.0	17 x 17	2.00	0.9
FG456 / FGG456	456	Fine-pitch Ball Grid Array (FBGA)	284	1.0	23 x 23	2.60	2.2

**Notes:**

- Package mass is  $\pm 10\%$ .

Note: Some early versions of Spartan-II devices, including the XC2S15 and XC2S30 ES devices and the XC2S150 with date code 0045 or earlier, included a power-down pin. For more information, see [Answer Record 10500](#).

## VCCO Banks

Some of the I/O standards require specific  $V_{CCO}$  voltages. These voltages are externally connected to device pins that serve groups of IOBs, called banks. Eight I/O banks result from separating each edge of the FPGA into two banks (see [Figure 3](#) in Module 2). Each bank has multiple  $V_{CCO}$  pins which must be connected to the same voltage. In the smaller packages, the  $V_{CCO}$  pins are connected between banks, effectively reducing the number of independent banks available (see [Table 37](#)). These interconnected banks are shown in the Pinout Tables with  $V_{CCO}$  pads for multiple banks connected to the same pin.

Table 37: Independent VCCO Banks Available

Package	VQ100 PQ208	CS144 TQ144	FG256 FG456
Independent Banks	1	4	8

## Package Overview

[Table 36](#) shows the six low-cost, space-saving production package styles for the Spartan-II family.

Each package style is available in an environmentally friendly lead-free (Pb-free) option. The Pb-free packages include an extra 'G' in the package style name. For example, the standard "CS144" package becomes "CSG144" when ordered as the Pb-free option. Leaded (non-Pb-free) packages may be available for selected devices, with the same pin-out and without the "G" in the ordering code; contact Xilinx sales for more information. The mechanical dimensions of the standard and Pb-free packages are similar, as shown in the mechanical drawings provided in [Table 38](#).

For additional package information, see [UG112: Device Package User Guide](#).

## Mechanical Drawings

Detailed mechanical drawings for each package type are available from the Xilinx web site at the specified location in [Table 38](#).

Material Declaration Data Sheets (MDDS) are also available on the [Xilinx web site](#) for each package.

Table 38: Xilinx Package Documentation

Package	Drawing	MDDS
VQ100	<a href="#">Package Drawing</a>	<a href="#">PK173_VQ100</a>
VQG100		<a href="#">PK130_VQG100</a>
TQ144	<a href="#">Package Drawing</a>	<a href="#">PK169_TQ144</a>
TQG144		<a href="#">PK126_TQG144</a>
CS144	<a href="#">Package Drawing</a>	<a href="#">PK149_CS144</a>
CSG144		<a href="#">PK103_CSG144</a>
PQ208	<a href="#">Package Drawing</a>	<a href="#">PK166_PQ208</a>
PQG208		<a href="#">PK123_PQG208</a>
FG256	<a href="#">Package Drawing</a>	<a href="#">PK151_FG256</a>
FGG256		<a href="#">PK105_FGG256</a>
FG456	<a href="#">Package Drawing</a>	<a href="#">PK154_FG456</a>
FGG456		<a href="#">PK109_FGG456</a>

## Package Thermal Characteristics

Table 39 provides the thermal characteristics for the various Spartan-II FPGA package offerings. This information is also available using the Thermal Query tool on xilinx.com ([www.xilinx.com/cgi-bin/thermal/thermal.pl](http://www.xilinx.com/cgi-bin/thermal/thermal.pl)).

The junction-to-case thermal resistance ( $\theta_{JC}$ ) indicates the difference between the temperature measured on the package body (case) and the die junction temperature per watt of power consumption. The junction-to-board ( $\theta_{JB}$ )

value similarly reports the difference between the board and junction temperature. The junction-to-ambient ( $\theta_{JA}$ ) value reports the temperature difference between the ambient environment and the junction temperature. The  $\theta_{JA}$  value is reported at different air velocities, measured in linear feet per minute (LFM). The “Still Air (0 LFM)” column shows the  $\theta_{JA}$  value in a system without a fan. The thermal resistance drops with increasing air flow.

Table 39: Spartan-II Package Thermal Characteristics

Package	Device	Junction-to-Case ( $\theta_{JC}$ )	Junction-to-Board ( $\theta_{JB}$ )	Junction-to-Ambient ( $\theta_{JA}$ ) at Different Air Flows				Units
				Still Air (0 LFM)	250 LFM	500 LFM	750 LFM	
VQ100 VQG100	XC2S15	11.3	N/A	44.1	36.7	34.2	33.3	°C/Watt
	XC2S30	10.1	N/A	40.7	33.9	31.5	30.8	°C/Watt
TQ144 TQG144	XC2S15	7.3	N/A	38.6	30.0	25.7	24.1	°C/Watt
	XC2S30	6.7	N/A	34.7	27.0	23.1	21.7	°C/Watt
	XC2S50	5.8	N/A	32.2	25.1	21.4	20.1	°C/Watt
	XC2S100	5.3	N/A	31.4	24.4	20.9	19.6	°C/Watt
CS144 CSG144	XC2S30	2.8	N/A	34.0	26.0	23.9	23.2	°C/Watt
PQ208 PQG208	XC2S50	6.7	N/A	25.2	18.6	16.4	15.2	°C/Watt
	XC2S100	5.9	N/A	24.6	18.1	16.0	14.9	°C/Watt
	XC2S150	5.0	N/A	23.8	17.6	15.6	14.4	°C/Watt
	XC2S200	4.1	N/A	23.0	17.0	15.0	13.9	°C/Watt
FG256 FGG256	XC2S50	7.1	17.6	27.2	21.4	20.3	19.8	°C/Watt
	XC2S100	5.8	15.1	25.1	19.5	18.3	17.8	°C/Watt
	XC2S150	4.6	12.7	23.0	17.6	16.3	15.8	°C/Watt
	XC2S200	3.5	10.7	21.4	16.1	14.7	14.2	°C/Watt
FG456 FGG456	XC2S150	2.0	N/A	21.9	17.3	15.8	15.2	°C/Watt
	XC2S200	2.0	N/A	21.0	16.6	15.1	14.5	°C/Watt

## Pinout Tables

The following device-specific pinout tables include all packages available for each Spartan®-II device. They follow the pad locations around the die, and include Boundary Scan register locations.

### XC2S15 Device Pinouts

XC2S15 Pad Name		VQ100	TQ144	CS144	Bndry Scan
Function	Bank				
GND	-	P1	P143	A1	-
TMS	-	P2	P142	B1	-
I/O	7	P3	P141	C2	77
I/O	7	-	P140	C1	80
I/O, V <sub>REF</sub>	7	P4	P139	D4	83
I/O	7	P5	P137	D2	86
I/O	7	P6	P136	D1	89
GND	-	-	P135	E4	-
I/O	7	P7	P134	E3	92
I/O	7	-	P133	E2	95
I/O, V <sub>REF</sub>	7	P8	P132	E1	98
I/O	7	P9	P131	F4	101
I/O	7	-	P130	F3	104
I/O, IRDY <sup>(1)</sup>	7	P10	P129	F2	107
GND	-	P11	P128	F1	-
V <sub>CCO</sub>	7	P12	P127	G2	-
V <sub>CCO</sub>	6	P12	P127	G2	-
I/O, TRDY <sup>(1)</sup>	6	P13	P126	G1	110
V <sub>CCINT</sub>	-	P14	P125	G3	-
I/O	6	-	P124	G4	113
I/O	6	P15	P123	H1	116
I/O, V <sub>REF</sub>	6	P16	P122	H2	119
I/O	6	-	P121	H3	122
I/O	6	P17	P120	H4	125
GND	-	-	P119	J1	-
I/O	6	P18	P118	J2	128
I/O	6	P19	P117	J3	131
I/O, V <sub>REF</sub>	6	P20	P115	K1	134
I/O	6	-	P114	K2	137
I/O	6	P21	P113	K3	140
I/O	6	P22	P112	L1	143
M1	-	P23	P111	L2	146
GND	-	P24	P110	L3	-
M0	-	P25	P109	M1	147
V <sub>CCO</sub>	6	P26	P108	M2	-
V <sub>CCO</sub>	5	P26	P107	N1	-

### XC2S15 Device Pinouts (Continued)

XC2S15 Pad Name		VQ100	TQ144	CS144	Bndry Scan
Function	Bank				
M2	-	P27	P106	N2	148
I/O	5	-	P103	K4	155
I/O, V <sub>REF</sub>	5	P30	P102	L4	158
I/O	5	P31	P100	N4	161
I/O	5	P32	P99	K5	164
GND	-	-	P98	L5	-
V <sub>CCINT</sub>	-	P33	P97	M5	-
I/O	5	-	P96	N5	167
I/O	5	-	P95	K6	170
I/O, V <sub>REF</sub>	5	P34	P94	L6	173
I/O	5	-	P93	M6	176
V <sub>CCINT</sub>	-	P35	P92	N6	-
I, GCK1	5	P36	P91	M7	185
V <sub>CCO</sub>	5	P37	P90	N7	-
V <sub>CCO</sub>	4	P37	P90	N7	-
GND	-	P38	P89	L7	-
I, GCK0	4	P39	P88	K7	186
I/O	4	P40	P87	N8	190
I/O	4	-	P86	M8	193
I/O, V <sub>REF</sub>	4	P41	P85	L8	196
I/O	4	-	P84	K8	199
I/O	4	-	P83	N9	202
V <sub>CCINT</sub>	-	P42	P82	M9	-
GND	-	-	P81	L9	-
I/O	4	P43	P80	K9	205
I/O	4	P44	P79	N10	208
I/O, V <sub>REF</sub>	4	P45	P77	L10	211
I/O	4	-	P76	N11	214
I/O	4	P46	P75	M11	217
I/O	4	P47	P74	L11	220
GND	-	P48	P73	N12	-
DONE	3	P49	P72	M12	223
V <sub>CCO</sub>	4	P50	P71	N13	-
V <sub>CCO</sub>	3	P50	P70	M13	-
PROGRAM	-	P51	P69	L12	226
I/O (INIT)	3	P52	P68	L13	227
I/O (D7)	3	P53	P67	K10	230
I/O	3	-	P66	K11	233
I/O, V <sub>REF</sub>	3	P54	P65	K12	236
I/O	3	P55	P63	J10	239
I/O (D6)	3	P56	P62	J11	242



**XC2S15 Device Pinouts (Continued)**

XC2S15 Pad Name		VQ100	TQ144	CS144	Bndry Scan
Function	Bank				
GND	-	-	P61	J12	-
I/O (D5)	3	P57	P60	J13	245
I/O	3	P58	P59	H10	248
I/O, V <sub>REF</sub>	3	P59	P58	H11	251
I/O (D4)	3	P60	P57	H12	254
I/O	3	-	P56	H13	257
V <sub>CCINT</sub>	-	P61	P55	G12	-
I/O, TRDY <sup>(1)</sup>	3	P62	P54	G13	260
V <sub>CCO</sub>	3	P63	P53	G11	-
V <sub>CCO</sub>	2	P63	P53	G11	-
GND	-	P64	P52	G10	-
I/O, IRDY <sup>(1)</sup>	2	P65	P51	F13	263
I/O	2	-	P50	F12	266
I/O (D3)	2	P66	P49	F11	269
I/O, V <sub>REF</sub>	2	P67	P48	F10	272
I/O	2	P68	P47	E13	275
I/O (D2)	2	P69	P46	E12	278
GND	-	-	P45	E11	-
I/O (D1)	2	P70	P44	E10	281
I/O	2	P71	P43	D13	284
I/O, V <sub>REF</sub>	2	P72	P41	D11	287
I/O	2	-	P40	C13	290
I/O (DIN, D0)	2	P73	P39	C12	293
I/O (DOUT, BUSY)	2	P74	P38	C11	296
CCLK	2	P75	P37	B13	299
V <sub>CCO</sub>	2	P76	P36	B12	-
V <sub>CCO</sub>	1	P76	P35	A13	-
TDO	2	P77	P34	A12	-
GND	-	P78	P33	B11	-
TDI	-	P79	P32	A11	-
I/O ( $\overline{\text{CS}}$ )	1	P80	P31	D10	0
I/O ( $\overline{\text{WRITE}}$ )	1	P81	P30	C10	3
I/O	1	-	P29	B10	6
I/O, V <sub>REF</sub>	1	P82	P28	A10	9
I/O	1	P83	P27	D9	12
I/O	1	P84	P26	C9	15
GND	-	-	P25	B9	-
V <sub>CCINT</sub>	-	P85	P24	A9	-
I/O	1	-	P23	D8	18
I/O	1	-	P22	C8	21

**XC2S15 Device Pinouts (Continued)**

XC2S15 Pad Name		VQ100	TQ144	CS144	Bndry Scan
Function	Bank				
I/O, V <sub>REF</sub>	1	P86	P21	B8	24
I/O	1	-	P20	A8	27
I/O	1	P87	P19	B7	30
I, GCK2	1	P88	P18	A7	36
GND	-	P89	P17	C7	-
V <sub>CCO</sub>	1	P90	P16	D7	-
V <sub>CCO</sub>	0	P90	P16	D7	-
I, GCK3	0	P91	P15	A6	37
V <sub>CCINT</sub>	-	P92	P14	B6	-
I/O	0	-	P13	C6	44
I/O, V <sub>REF</sub>	0	P93	P12	D6	47
I/O	0	-	P11	A5	50
I/O	0	-	P10	B5	53
V <sub>CCINT</sub>	-	P94	P9	C5	-
GND	-	-	P8	D5	-
I/O	0	P95	P7	A4	56
I/O	0	P96	P6	B4	59
I/O, V <sub>REF</sub>	0	P97	P5	C4	62
I/O	0	-	P4	A3	65
I/O	0	P98	P3	B3	68
TCK	-	P99	P2	C3	-
V <sub>CCO</sub>	0	P100	P1	A2	-
V <sub>CCO</sub>	7	P100	P144	B2	-

04/18/01

**Notes:**

1. IRDY and TRDY can only be accessed when using Xilinx PCI cores.
2. See "[VCCO Banks](#)" for details on V<sub>CCO</sub> banking.

**Additional XC2S15 Package Pins**
**VQ100**

Not Connected Pins					
P28	P29	-	-	-	-

11/02/00

**TQ144**

Not Connected Pins					
P42	P64	P78	P101	P104	P105
P116	P138	-	-	-	-

11/02/00

**CS144**

Not Connected Pins					
D3	D12	J4	K13	M3	M4
M10	N3	-	-	-	-

11/02/00

**XC2S30 Device Pinouts**

XC2S30 Pad Name		VQ100	TQ144	CS144	PQ208	Bndry Scan
Function	Bank					
GND	-	P1	P143	A1	P1	-
TMS	-	P2	P142	B1	P2	-
I/O	7	P3	P141	C2	P3	113
I/O	7	-	P140	C1	P4	116
I/O	7	-	-	-	P5	119
I/O, V <sub>REF</sub>	7	P4	P139	D4	P6	122
I/O	7	-	P138	D3	P8	125
I/O	7	P5	P137	D2	P9	128
I/O	7	P6	P136	D1	P10	131
GND	-	-	P135	E4	P11	-
V <sub>CCO</sub>	7	-	-	-	P12	-
I/O	7	P7	P134	E3	P14	134
I/O	7	-	P133	E2	P15	137
I/O	7	-	-	-	P16	140
I/O	7	-	-	-	P17	143
I/O	7	-	-	-	P18	146
GND	-	-	-	-	P19	-
I/O, V <sub>REF</sub>	7	P8	P132	E1	P20	149
I/O	7	P9	P131	F4	P21	152
I/O	7	-	P130	F3	P22	155
I/O	7	-	-	-	P23	158
I/O, IRDY <sup>(1)</sup>	7	P10	P129	F2	P24	161
GND	-	P11	P128	F1	P25	-
V <sub>CCO</sub>	7	P12	P127	G2	P26	-
V <sub>CCO</sub>	6	P12	P127	G2	P26	-
I/O, TRDY <sup>(1)</sup>	6	P13	P126	G1	P27	164
V <sub>CCINT</sub>	-	P14	P125	G3	P28	-
I/O	6	-	P124	G4	P29	170
I/O	6	P15	P123	H1	P30	173
I/O, V <sub>REF</sub>	6	P16	P122	H2	P31	176
GND	-	-	-	-	P32	-
I/O	6	-	-	-	P33	179
I/O	6	-	-	-	P34	182
I/O	6	-	-	-	P35	185
I/O	6	-	P121	H3	P36	188
I/O	6	P17	P120	H4	P37	191
V <sub>CCO</sub>	6	-	-	-	P39	-
GND	-	-	P119	J1	P40	-
I/O	6	P18	P118	J2	P41	194
I/O	6	P19	P117	J3	P42	197
I/O	6	-	P116	J4	P43	200

**XC2S30 Device Pinouts (Continued)**

XC2S30 Pad Name		VQ100	TQ144	CS144	PQ208	Bndry Scan
Function	Bank					
I/O, V <sub>REF</sub>	6	P20	P115	K1	P45	203
I/O	6	-	-	-	P46	206
I/O	6	-	P114	K2	P47	209
I/O	6	P21	P113	K3	P48	212
I/O	6	P22	P112	L1	P49	215
M1	-	P23	P111	L2	P50	218
GND	-	P24	P110	L3	P51	-
M0	-	P25	P109	M1	P52	219
V <sub>CCO</sub>	6	P26	P108	M2	P53	-
V <sub>CCO</sub>	5	P26	P107	N1	P53	-
M2	-	P27	P106	N2	P54	220
I/O	5	-	P103	K4	P57	227
I/O	5	-	-	-	P58	230
I/O, V <sub>REF</sub>	5	P30	P102	L4	P59	233
I/O	5	-	P101	M4	P61	236
I/O	5	P31	P100	N4	P62	239
I/O	5	P32	P99	K5	P63	242
GND	-	-	P98	L5	P64	-
V <sub>CCO</sub>	5	-	-	-	P65	-
V <sub>CCINT</sub>	-	P33	P97	M5	P66	-
I/O	5	-	P96	N5	P67	245
I/O	5	-	P95	K6	P68	248
I/O	5	-	-	-	P69	251
I/O	5	-	-	-	P70	254
I/O	5	-	-	-	P71	257
GND	-	-	-	-	P72	-
I/O, V <sub>REF</sub>	5	P34	P94	L6	P73	260
I/O	5	-	-	-	P74	263
I/O	5	-	P93	M6	P75	266
V <sub>CCINT</sub>	-	P35	P92	N6	P76	-
I, GCK1	5	P36	P91	M7	P77	275
V <sub>CCO</sub>	5	P37	P90	N7	P78	-
V <sub>CCO</sub>	4	P37	P90	N7	P78	-
GND	-	P38	P89	L7	P79	-
I, GCK0	4	P39	P88	K7	P80	276
I/O	4	P40	P87	N8	P81	280
I/O	4	-	P86	M8	P82	283
I/O	4	-	-	-	P83	286
I/O, V <sub>REF</sub>	4	P41	P85	L8	P84	289
GND	-	-	-	-	P85	-
I/O	4	-	-	-	P86	292

**XC2S30 Device Pinouts (Continued)**

XC2S30 Pad Name		VQ100	TQ144	CS144	PQ208	Bndry Scan
Function	Bank					
I/O	4	-	-	-	P87	295
I/O	4	-	-	-	P88	298
I/O	4	-	P84	K8	P89	301
I/O	4	-	P83	N9	P90	304
V <sub>CCINT</sub>	-	P42	P82	M9	P91	-
V <sub>CCO</sub>	4	-	-	-	P92	-
GND	-	-	P81	L9	P93	-
I/O	4	P43	P80	K9	P94	307
I/O	4	P44	P79	N10	P95	310
I/O	4	-	P78	M10	P96	313
I/O, V <sub>REF</sub>	4	P45	P77	L10	P98	316
I/O	4	-	-	-	P99	319
I/O	4	-	P76	N11	P100	322
I/O	4	P46	P75	M11	P101	325
I/O	4	P47	P74	L11	P102	328
GND	-	P48	P73	N12	P103	-
DONE	3	P49	P72	M12	P104	331
V <sub>CCO</sub>	4	P50	P71	N13	P105	-
V <sub>CCO</sub>	3	P50	P70	M13	P105	-
PROGRAM	-	P51	P69	L12	P106	334
I/O (INIT)	3	P52	P68	L13	P107	335
I/O (D7)	3	P53	P67	K10	P108	338
I/O	3	-	P66	K11	P109	341
I/O	3	-	-	-	P110	344
I/O, V <sub>REF</sub>	3	P54	P65	K12	P111	347
I/O	3	-	P64	K13	P113	350
I/O	3	P55	P63	J10	P114	353
I/O (D6)	3	P56	P62	J11	P115	356
GND	-	-	P61	J12	P116	-
V <sub>CCO</sub>	3	-	-	-	P117	-
I/O (D5)	3	P57	P60	J13	P119	359
I/O	3	P58	P59	H10	P120	362
I/O	3	-	-	-	P121	365
I/O	3	-	-	-	P122	368
I/O	3	-	-	-	P123	371
GND	-	-	-	-	P124	-
I/O, V <sub>REF</sub>	3	P59	P58	H11	P125	374
I/O (D4)	3	P60	P57	H12	P126	377
I/O	3	-	P56	H13	P127	380
V <sub>CCINT</sub>	-	P61	P55	G12	P128	-
I/O, TRDY <sup>(1)</sup>	3	P62	P54	G13	P129	386

**XC2S30 Device Pinouts (Continued)**

XC2S30 Pad Name		VQ100	TQ144	CS144	PQ208	Bndry Scan
Function	Bank					
V <sub>CCO</sub>	3	P63	P53	G11	P130	-
V <sub>CCO</sub>	2	P63	P53	G11	P130	-
GND	-	P64	P52	G10	P131	-
I/O, IRDY <sup>(1)</sup>	2	P65	P51	F13	P132	389
I/O	2	-	-	-	P133	392
I/O	2	-	P50	F12	P134	395
I/O (D3)	2	P66	P49	F11	P135	398
I/O, V <sub>REF</sub>	2	P67	P48	F10	P136	401
GND	-	-	-	-	P137	-
I/O	2	-	-	-	P138	404
I/O	2	-	-	-	P139	407
I/O	2	-	-	-	P140	410
I/O	2	P68	P47	E13	P141	413
I/O (D2)	2	P69	P46	E12	P142	416
V <sub>CCO</sub>	2	-	-	-	P144	-
GND	-	-	P45	E11	P145	-
I/O (D1)	2	P70	P44	E10	P146	419
I/O	2	P71	P43	D13	P147	422
I/O	2	-	P42	D12	P148	425
I/O, V <sub>REF</sub>	2	P72	P41	D11	P150	428
I/O	2	-	-	-	P151	431
I/O	2	-	P40	C13	P152	434
I/O (DIN, D0)	2	P73	P39	C12	P153	437
I/O (DOUT, BUSY)	2	P74	P38	C11	P154	440
CCLK	2	P75	P37	B13	P155	443
V <sub>CCO</sub>	2	P76	P36	B12	P156	-
V <sub>CCO</sub>	1	P76	P35	A13	P156	-
TDO	2	P77	P34	A12	P157	-
GND	-	P78	P33	B11	P158	-
TDI	-	P79	P32	A11	P159	-
I/O (CS)	1	P80	P31	D10	P160	0
I/O (WRITE)	1	P81	P30	C10	P161	3
I/O	1	-	P29	B10	P162	6
I/O	1	-	-	-	P163	9
I/O, V <sub>REF</sub>	1	P82	P28	A10	P164	12
I/O	1	-	-	-	P166	15
I/O	1	P83	P27	D9	P167	18
I/O	1	P84	P26	C9	P168	21
GND	-	-	P25	B9	P169	-
V <sub>CCO</sub>	1	-	-	-	P170	-

**XC2S30 Device Pinouts (Continued)**

XC2S30 Pad Name		VQ100	TQ144	CS144	PQ208	Bndry Scan
Function	Bank					
V <sub>CCINT</sub>	-	P85	P24	A9	P171	-
I/O	1	-	P23	D8	P172	24
I/O	1	-	P22	C8	P173	27
I/O	1	-	-	-	P174	30
I/O	1	-	-	-	P175	33
I/O	1	-	-	-	P176	36
GND	-	-	-	-	P177	-
I/O, V <sub>REF</sub>	1	P86	P21	B8	P178	39
I/O	1	-	-	-	P179	42
I/O	1	-	P20	A8	P180	45
I/O	1	P87	P19	B7	P181	48
I, GCK2	1	P88	P18	A7	P182	54
GND	-	P89	P17	C7	P183	-
V <sub>CCO</sub>	1	P90	P16	D7	P184	-
V <sub>CCO</sub>	0	P90	P16	D7	P184	-
I, GCK3	0	P91	P15	A6	P185	55
V <sub>CCINT</sub>	-	P92	P14	B6	P186	-
I/O	0	-	P13	C6	P187	62
I/O	0	-	-	-	P188	65
I/O, V <sub>REF</sub>	0	P93	P12	D6	P189	68
GND	-	-	-	-	P190	-
I/O	0	-	-	-	P191	71
I/O	0	-	-	-	P192	74
I/O	0	-	-	-	P193	77
I/O	0	-	P11	A5	P194	80
I/O	0	-	P10	B5	P195	83
V <sub>CCINT</sub>	-	P94	P9	C5	P196	-
V <sub>CCO</sub>	0	-	-	-	P197	-
GND	-	-	P8	D5	P198	-
I/O	0	P95	P7	A4	P199	86
I/O	0	P96	P6	B4	P200	89
I/O	0	-	-	-	P201	92

**XC2S30 Device Pinouts (Continued)**

XC2S30 Pad Name		VQ100	TQ144	CS144	PQ208	Bndry Scan
Function	Bank					
I/O, V <sub>REF</sub>	0	P97	P5	C4	P203	95
I/O	0	-	-	-	P204	98
I/O	0	-	P4	A3	P205	101
I/O	0	P98	P3	B3	P206	104
TCK	-	P99	P2	C3	P207	-
V <sub>CCO</sub>	0	P100	P1	A2	P208	-
V <sub>CCO</sub>	7	P100	P144	B2	P208	-

04/18/01

**Notes:**

1. IRDY and TRDY can only be accessed when using Xilinx PCI cores.
2. See "[VCCO Banks](#)" for details on V<sub>CCO</sub> banking.

**Additional XC2S30 Package Pins**
**VQ100**

Not Connected Pins					
P28	P29	-	-	-	-

11/02/00

**TQ144**

Not Connected Pins					
P104	P105	-	-	-	-

11/02/00

**CS144**

Not Connected Pins					
M3	N3	-	-	-	-

11/02/00

**PQ208**

Not Connected Pins					
P7	P13	P38	P44	P55	P56
P60	P97	P112	P118	P143	P149
P165	P202	-	-	-	-

11/02/00

**Notes:**

1. For the PQ208 package, P13, P38, P118, and P143, which are Not Connected Pins on the XC2S30, are assigned to V<sub>CCINT</sub> on larger devices.

**XC2S50 Device Pinouts**

XC2S50 Pad Name		TQ144	PQ208	FG256	Bndry Scan
Function	Bank				
GND	-	P143	P1	GND*	-
TMS	-	P142	P2	D3	-
I/O	7	P141	P3	C2	149
I/O	7	-	-	A2	152
I/O	7	P140	P4	B1	155
I/O	7	-	-	E3	158
I/O	7	-	P5	D2	161
GND	-	-	-	GND*	-
I/O, V <sub>REF</sub>	7	P139	P6	C1	164
I/O	7	-	P7	F3	167
I/O	7	-	-	E2	170
I/O	7	P138	P8	E4	173
I/O	7	P137	P9	D1	176
I/O	7	P136	P10	E1	179
GND	-	P135	P11	GND*	-
V <sub>CCO</sub>	7	-	P12	V <sub>CCO</sub> Bank 7*	-
V <sub>CCINT</sub>	-	-	P13	V <sub>CCINT</sub> *	-
I/O	7	P134	P14	F2	182
I/O	7	P133	P15	G3	185
I/O	7	-	-	F1	188
I/O	7	-	P16	F4	191
I/O	7	-	P17	F5	194
I/O	7	-	P18	G2	197
GND	-	-	P19	GND*	-
I/O, V <sub>REF</sub>	7	P132	P20	H3	200
I/O	7	P131	P21	G4	203
I/O	7	-	-	H2	206
I/O	7	P130	P22	G5	209
I/O	7	-	P23	H4	212
I/O, IRDY <sup>(1)</sup>	7	P129	P24	G1	215
GND	-	P128	P25	GND*	-
V <sub>CCO</sub>	7	P127	P26	V <sub>CCO</sub> Bank 7*	-
V <sub>CCO</sub>	6	P127	P26	V <sub>CCO</sub> Bank 6*	-
I/O, TRDY <sup>(1)</sup>	6	P126	P27	J2	218
V <sub>CCINT</sub>	-	P125	P28	V <sub>CCINT</sub> *	-
I/O	6	P124	P29	H1	224
I/O	6	-	-	J4	227
I/O	6	P123	P30	J1	230
I/O, V <sub>REF</sub>	6	P122	P31	J3	233

**XC2S50 Device Pinouts (Continued)**

XC2S50 Pad Name		TQ144	PQ208	FG256	Bndry Scan
Function	Bank				
GND	-	-	P32	GND*	-
I/O	6	-	P33	K5	236
I/O	6	-	P34	K2	239
I/O	6	-	P35	K1	242
I/O	6	-	-	K3	245
I/O	6	P121	P36	L1	248
I/O	6	P120	P37	L2	251
V <sub>CCINT</sub>	-	-	P38	V <sub>CCINT</sub> *	-
V <sub>CCO</sub>	6	-	P39	V <sub>CCO</sub> Bank 6*	-
GND	-	P119	P40	GND*	-
I/O	6	P118	P41	K4	254
I/O	6	P117	P42	M1	257
I/O	6	P116	P43	L4	260
I/O	6	-	-	M2	263
I/O	6	-	P44	L3	266
I/O, V <sub>REF</sub>	6	P115	P45	N1	269
GND	-	-	-	GND*	-
I/O	6	-	P46	P1	272
I/O	6	-	-	L5	275
I/O	6	P114	P47	N2	278
I/O	6	-	-	M4	281
I/O	6	P113	P48	R1	284
I/O	6	P112	P49	M3	287
M1	-	P111	P50	P2	290
GND	-	P110	P51	GND*	-
M0	-	P109	P52	N3	291
V <sub>CCO</sub>	6	P108	P53	V <sub>CCO</sub> Bank 6*	-
V <sub>CCO</sub>	5	P107	P53	V <sub>CCO</sub> Bank 5*	-
M2	-	P106	P54	R3	292
I/O	5	-	-	N5	299
I/O	5	P103	P57	T2	302
I/O	5	-	-	P5	305
I/O	5	-	P58	T3	308
GND	-	-	-	GND*	-
I/O, V <sub>REF</sub>	5	P102	P59	T4	311
I/O	5	-	P60	M6	314
I/O	5	-	-	T5	317
I/O	5	P101	P61	N6	320
I/O	5	P100	P62	R5	323

**XC2S50 Device Pinouts (Continued)**

XC2S50 Pad Name		TQ144	PQ208	FG256	Bndry Scan
Function	Bank				
I/O	5	P99	P63	P6	326
GND	-	P98	P64	GND*	-
V <sub>CCO</sub>	5	-	P65	V <sub>CCO</sub> Bank 5*	-
V <sub>CCINT</sub>	-	P97	P66	V <sub>CCINT</sub> *	-
I/O	5	P96	P67	R6	329
I/O	5	P95	P68	M7	332
I/O	5	-	P69	N7	338
I/O	5	-	P70	T6	341
I/O	5	-	P71	P7	344
GND	-	-	P72	GND*	-
I/O, V <sub>REF</sub>	5	P94	P73	P8	347
I/O	5	-	P74	R7	350
I/O	5	-	-	T7	353
I/O	5	P93	P75	T8	356
V <sub>CCINT</sub>	-	P92	P76	V <sub>CCINT</sub> *	-
I, GCK1	5	P91	P77	R8	365
V <sub>CCO</sub>	5	P90	P78	V <sub>CCO</sub> Bank 5*	-
V <sub>CCO</sub>	4	P90	P78	V <sub>CCO</sub> Bank 4*	-
GND	-	P89	P79	GND*	-
I, GCK0	4	P88	P80	N8	366
I/O	4	P87	P81	N9	370
I/O	4	P86	P82	R9	373
I/O	4	-	-	N10	376
I/O	4	-	P83	T9	379
I/O, V <sub>REF</sub>	4	P85	P84	P9	382
GND	-	-	P85	GND*	-
I/O	4	-	P86	M10	385
I/O	4	-	P87	R10	388
I/O	4	-	P88	P10	391
I/O	4	P84	P89	T10	397
I/O	4	P83	P90	R11	400
V <sub>CCINT</sub>	-	P82	P91	V <sub>CCINT</sub> *	-
V <sub>CCO</sub>	4	-	P92	V <sub>CCO</sub> Bank 4*	-
GND	-	P81	P93	GND*	-
I/O	4	P80	P94	M11	403
I/O	4	P79	P95	T11	406
I/O	4	P78	P96	N11	409
I/O	4	-	-	R12	412

**XC2S50 Device Pinouts (Continued)**

XC2S50 Pad Name		TQ144	PQ208	FG256	Bndry Scan
Function	Bank				
I/O	4	-	P97	P11	415
I/O, V <sub>REF</sub>	4	P77	P98	T12	418
GND	-	-	-	GND*	-
I/O	4	-	P99	T13	421
I/O	4	-	-	N12	424
I/O	4	P76	P100	R13	427
I/O	4	-	-	P12	430
I/O	4	P75	P101	P13	433
I/O	4	P74	P102	T14	436
GND	-	P73	P103	GND*	-
DONE	3	P72	P104	R14	439
V <sub>CCO</sub>	4	P71	P105	V <sub>CCO</sub> Bank 4*	-
V <sub>CCO</sub>	3	P70	P105	V <sub>CCO</sub> Bank 3*	-
PROGRAM	-	P69	P106	P15	442
I/O (INIT)	3	P68	P107	N15	443
I/O (D7)	3	P67	P108	N14	446
I/O	3	-	-	T15	449
I/O	3	P66	P109	M13	452
I/O	3	-	-	R16	455
I/O	3	-	P110	M14	458
GND	-	-	-	GND*	-
I/O, V <sub>REF</sub>	3	P65	P111	L14	461
I/O	3	-	P112	M15	464
I/O	3	-	-	L12	467
I/O	3	P64	P113	P16	470
I/O	3	P63	P114	L13	473
I/O (D6)	3	P62	P115	N16	476
GND	-	P61	P116	GND*	-
V <sub>CCO</sub>	3	-	P117	V <sub>CCO</sub> Bank 3*	-
V <sub>CCINT</sub>	-	-	P118	V <sub>CCINT</sub> *	-
I/O (D5)	3	P60	P119	M16	479
I/O	3	P59	P120	K14	482
I/O	3	-	-	L16	485
I/O	3	-	P121	K13	488
I/O	3	-	P122	L15	491
I/O	3	-	P123	K12	494
GND	-	-	P124	GND*	-
I/O, V <sub>REF</sub>	3	P58	P125	K16	497
I/O (D4)	3	P57	P126	J16	500

**XC2S50 Device Pinouts (Continued)**

XC2S50 Pad Name		TQ144	PQ208	FG256	Bndry Scan
Function	Bank				
I/O	3	-	-	J14	503
I/O	3	P56	P127	K15	506
V <sub>CCINT</sub>	-	P55	P128	V <sub>CCINT</sub> *	-
I/O, TRDY <sup>(1)</sup>	3	P54	P129	J15	512
V <sub>CCO</sub>	3	P53	P130	V <sub>CCO</sub> Bank 3*	-
V <sub>CCO</sub>	2	P53	P130	V <sub>CCO</sub> Bank 2*	-
GND	-	P52	P131	GND*	-
I/O, IRDY <sup>(1)</sup>	2	P51	P132	H16	515
I/O	2	-	P133	H14	518
I/O	2	P50	P134	H15	521
I/O	2	-	-	J13	524
I/O (D3)	2	P49	P135	G16	527
I/O, V <sub>REF</sub>	2	P48	P136	H13	530
GND	-	-	P137	GND*	-
I/O	2	-	P138	G14	533
I/O	2	-	P139	G15	536
I/O	2	-	P140	G12	539
I/O	2	-	-	F16	542
I/O	2	P47	P141	G13	545
I/O (D2)	2	P46	P142	F15	548
V <sub>CCINT</sub>	-	-	P143	V <sub>CCINT</sub> *	-
V <sub>CCO</sub>	2	-	P144	V <sub>CCO</sub> Bank 2*	-
GND	-	P45	P145	GND*	-
I/O (D1)	2	P44	P146	E16	551
I/O	2	P43	P147	F14	554
I/O	2	P42	P148	D16	557
I/O	2	-	-	F12	560
I/O	2	-	P149	E15	563
I/O, V <sub>REF</sub>	2	P41	P150	F13	566
GND	-	-	-	GND*	-
I/O	2	-	P151	E14	569
I/O	2	-	-	C16	572
I/O	2	P40	P152	E13	575
I/O	2	-	-	B16	578
I/O (DIN, D0)	2	P39	P153	D14	581
I/O (DOUT, BUSY)	2	P38	P154	C15	584
CCLK	2	P37	P155	D15	587
V <sub>CCO</sub>	2	P36	P156	V <sub>CCO</sub> Bank 2*	-

**XC2S50 Device Pinouts (Continued)**

XC2S50 Pad Name		TQ144	PQ208	FG256	Bndry Scan
Function	Bank				
V <sub>CCO</sub>	1	P35	P156	V <sub>CCO</sub> Bank 1*	-
TDO	2	P34	P157	B14	-
GND	-	P33	P158	GND*	-
TDI	-	P32	P159	A15	-
I/O ( $\overline{CS}$ )	1	P31	P160	B13	0
I/O ( $\overline{WRITE}$ )	1	P30	P161	C13	3
I/O	1	-	-	C12	6
I/O	1	P29	P162	A14	9
I/O	1	-	-	D12	12
I/O	1	-	P163	B12	15
GND	-	-	-	GND*	-
I/O, V <sub>REF</sub>	1	P28	P164	C11	18
I/O	1	-	P165	A13	21
I/O	1	-	-	D11	24
I/O	1	-	P166	A12	27
I/O	1	P27	P167	E11	30
I/O	1	P26	P168	B11	33
GND	-	P25	P169	GND*	-
V <sub>CCO</sub>	1	-	P170	V <sub>CCO</sub> Bank 1*	-
V <sub>CCINT</sub>	-	P24	P171	V <sub>CCINT</sub> *	-
I/O	1	P23	P172	A11	36
I/O	1	P22	P173	C10	39
I/O	1	-	P174	B10	45
I/O	1	-	P175	D10	48
I/O	1	-	P176	A10	51
GND	-	-	P177	GND*	-
I/O, V <sub>REF</sub>	1	P21	P178	B9	54
I/O	1	-	P179	E10	57
I/O	1	-	-	A9	60
I/O	1	P20	P180	D9	63
I/O	1	P19	P181	A8	66
I, GCK2	1	P18	P182	C9	72
GND	-	P17	P183	GND*	-
V <sub>CCO</sub>	1	P16	P184	V <sub>CCO</sub> Bank 1*	-
V <sub>CCO</sub>	0	P16	P184	V <sub>CCO</sub> Bank 0*	-
I, GCK3	0	P15	P185	B8	73
V <sub>CCINT</sub>	-	P14	P186	V <sub>CCINT</sub> *	-
I/O	0	P13	P187	A7	80

**XC2S50 Device Pinouts (Continued)**

XC2S50 Pad Name		TQ144	PQ208	FG256	Bdry Scan
Function	Bank				
I/O	0	-	-	D8	83
I/O	0	-	P188	A6	86
I/O, V <sub>REF</sub>	0	P12	P189	B7	89
GND	-	-	P190	GND*	-
I/O	0	-	P191	C8	92
I/O	0	-	P192	D7	95
I/O	0	-	P193	E7	98
I/O	0	P11	P194	C7	104
I/O	0	P10	P195	B6	107
V <sub>CCINT</sub>	-	P9	P196	V <sub>CCINT</sub> *	-
V <sub>CCO</sub>	0	-	P197	V <sub>CCO</sub> Bank 0*	-
GND	-	P8	P198	GND*	-
I/O	0	P7	P199	A5	110
I/O	0	P6	P200	C6	113
I/O	0	-	P201	B5	116
I/O	0	-	-	D6	119
I/O	0	-	P202	A4	122
I/O, V <sub>REF</sub>	0	P5	P203	B4	125
GND	-	-	-	GND*	-
I/O	0	-	P204	E6	128
I/O	0	-	-	D5	131
I/O	0	P4	P205	A3	134
I/O	0	-	-	C5	137
I/O	0	P3	P206	B3	140
TCK	-	P2	P207	C4	-
V <sub>CCO</sub>	0	P1	P208	V <sub>CCO</sub> Bank 0*	-
V <sub>CCO</sub>	7	P144	P208	V <sub>CCO</sub> Bank 7*	-

04/18/01

**Notes:**

1. IRDY and TRDY can only be accessed when using Xilinx PCI cores.
2. Pads labelled GND\*, V<sub>CCINT</sub>\*, V<sub>CCO</sub> Bank 0\*, V<sub>CCO</sub> Bank 1\*, V<sub>CCO</sub> Bank 2\*, V<sub>CCO</sub> Bank 3\*, V<sub>CCO</sub> Bank 4\*, V<sub>CCO</sub> Bank 5\*, V<sub>CCO</sub> Bank 6\*, V<sub>CCO</sub> Bank 7\* are internally bonded to independent ground or power planes within the package.
3. See "[VCCO Banks](#)" for details on V<sub>CCO</sub> banking.

**Additional XC2S50 Package Pins**
**TQ144**

Not Connected Pins					
P104	P105	-	-	-	-

11/02/00



**Additional XC2S50 Package Pins (Continued)**

**PQ208**

Not Connected Pins					
P55	P56	-	-	-	-

11/02/00

**FG256**

V <sub>CCINT</sub> Pins					
C3	C14	D4	D13	E5	E12
M5	M12	N4	N13	P3	P14
V <sub>CCO</sub> Bank 0 Pins					
E8	F8	-	-	-	-
V <sub>CCO</sub> Bank 1 Pins					
E9	F9	-	-	-	-
V <sub>CCO</sub> Bank 2 Pins					
H11	H12	-	-	-	-
V <sub>CCO</sub> Bank 3 Pins					
J11	J12	-	-	-	-
V <sub>CCO</sub> Bank 4 Pins					
L9	M9	-	-	-	-
V <sub>CCO</sub> Bank 5 Pins					
L8	M8	-	-	-	-
V <sub>CCO</sub> Bank 6 Pins					
J5	J6	-	-	-	-
V <sub>CCO</sub> Bank 7 Pins					
H5	H6	-	-	-	-
GND Pins					
A1	A16	B2	B15	F6	F7
F10	F11	G6	G7	G8	G9
G10	G11	H7	H8	H9	H10
J7	J8	J9	J10	K6	K7
K8	K9	K10	K11	L6	L7
L10	L11	R2	R15	T1	T16
Not Connected Pins					
P4	R4	-	-	-	-

11/02/00

**XC2S100 Device Pinouts**

XC2S100 Pad Name						Bndry Scan
Function	Bank	TQ144	PQ208	FG256	FG456	
GND	-	P143	P1	GND*	GND*	-
TMS	-	P142	P2	D3	D3	-
I/O	7	P141	P3	C2	B1	185
I/O	7	-	-	A2	F5	191
I/O	7	P140	P4	B1	D2	194
I/O	7	-	-	-	E3	197
I/O	7	-	-	E3	G5	200
I/O	7	-	P5	D2	F3	203
GND	-	-	-	GND*	GND*	-
V <sub>CCO</sub>	7	-	-	V <sub>CCO</sub> Bank 7*	V <sub>CCO</sub> Bank 7*	-
I/O, V <sub>REF</sub>	7	P139	P6	C1	E2	206

**XC2S100 Device Pinouts (Continued)**

XC2S100 Pad Name						Bndry Scan
Function	Bank	TQ144	PQ208	FG256	FG456	
I/O	7	-	P7	F3	E1	209
I/O	7	-	-	E2	H5	215
I/O	7	P138	P8	E4	F2	218
I/O	7	-	-	-	F1	221
I/O, V <sub>REF</sub>	7	P137	P9	D1	H4	224
I/O	7	P136	P10	E1	G1	227
GND	-	P135	P11	GND*	GND*	-
V <sub>CCO</sub>	7	-	P12	V <sub>CCO</sub> Bank 7*	V <sub>CCO</sub> Bank 7*	-
V <sub>CCINT</sub>	-	-	P13	V <sub>CCINT</sub> *	V <sub>CCINT</sub> *	-
I/O	7	P134	P14	F2	H3	230
I/O	7	P133	P15	G3	H2	233
I/O	7	-	-	F1	J5	236
I/O	7	-	P16	F4	J2	239
I/O	7	-	P17	F5	K5	245
I/O	7	-	P18	G2	K1	248
GND	-	-	P19	GND*	GND*	-
I/O, V <sub>REF</sub>	7	P132	P20	H3	K3	251
I/O	7	P131	P21	G4	K4	254
I/O	7	-	-	H2	L6	257
I/O	7	P130	P22	G5	L1	260
I/O	7	-	P23	H4	L4	266
I/O, IRDY <sup>(1)</sup>	7	P129	P24	G1	L3	269
GND	-	P128	P25	GND*	GND*	-
V <sub>CCO</sub>	7	P127	P26	V <sub>CCO</sub> Bank 7*	V <sub>CCO</sub> Bank 7*	-
V <sub>CCO</sub>	6	P127	P26	V <sub>CCO</sub> Bank 6*	V <sub>CCO</sub> Bank 6*	-
I/O, TRDY <sup>(1)</sup>	6	P126	P27	J2	M1	272
V <sub>CCINT</sub>	-	P125	P28	V <sub>CCINT</sub> *	V <sub>CCINT</sub> *	-
I/O	6	P124	P29	H1	M3	281
I/O	6	-	-	J4	M4	284
I/O	6	P123	P30	J1	M5	287
I/O, V <sub>REF</sub>	6	P122	P31	J3	N2	290
GND	-	-	P32	GND*	GND*	-
I/O	6	-	P33	K5	N3	293
I/O	6	-	P34	K2	N4	296
I/O	6	-	P35	K1	P2	302
I/O	6	-	-	K3	P4	305
I/O	6	P121	P36	L1	P3	308
I/O	6	P120	P37	L2	R2	311

**XC2S100 Device Pinouts (Continued)**

XC2S100 Pad Name		TQ144	PQ208	FG256	FG456	Bndry Scan
Function	Bank					
V <sub>CCINT</sub>	-	-	P38	V <sub>CCINT</sub> *	V <sub>CCINT</sub> *	-
V <sub>CCO</sub>	6	-	P39	V <sub>CCO</sub> Bank 6*	V <sub>CCO</sub> Bank 6*	-
GND	-	P119	P40	GND*	GND*	-
I/O	6	P118	P41	K4	T1	314
I/O, V <sub>REF</sub>	6	P117	P42	M1	R4	317
I/O	6	-	-	-	T2	320
I/O	6	P116	P43	L4	U1	323
I/O	6	-	-	M2	R5	326
I/O	6	-	P44	L3	U2	332
I/O, V <sub>REF</sub>	6	P115	P45	N1	T3	335
V <sub>CCO</sub>	6	-	-	V <sub>CCO</sub> Bank 6*	V <sub>CCO</sub> Bank 6*	-
GND	-	-	-	GND*	GND*	-
I/O	6	-	P46	P1	T4	338
I/O	6	-	-	L5	W1	341
I/O	6	-	-	-	U4	344
I/O	6	P114	P47	N2	Y1	347
I/O	6	-	-	M4	W2	350
I/O	6	P113	P48	R1	Y2	356
I/O	6	P112	P49	M3	W3	359
M1	-	P111	P50	P2	U5	362
GND	-	P110	P51	GND*	GND*	-
M0	-	P109	P52	N3	AB2	363
V <sub>CCO</sub>	6	P108	P53	V <sub>CCO</sub> Bank 6*	V <sub>CCO</sub> Bank 6*	-
V <sub>CCO</sub>	5	P107	P53	V <sub>CCO</sub> Bank 5*	V <sub>CCO</sub> Bank 5*	-
M2	-	P106	P54	R3	Y4	364
I/O	5	-	-	N5	V7	374
I/O	5	P103	P57	T2	Y6	377
I/O	5	-	-	-	AA4	380
I/O	5	-	-	P5	W6	383
I/O	5	-	P58	T3	Y7	386
GND	-	-	-	GND*	GND*	-
V <sub>CCO</sub>	5	-	-	V <sub>CCO</sub> Bank 5*	V <sub>CCO</sub> Bank 5*	-
I/O, V <sub>REF</sub>	5	P102	P59	T4	AA5	389
I/O	5	-	P60	M6	AB5	392
I/O	5	-	-	T5	AB6	398
I/O	5	P101	P61	N6	AA7	401
I/O	5	-	-	-	W7	404

**XC2S100 Device Pinouts (Continued)**

XC2S100 Pad Name		TQ144	PQ208	FG256	FG456	Bndry Scan
Function	Bank					
I/O, V <sub>REF</sub>	5	P100	P62	R5	W8	407
I/O	5	P99	P63	P6	Y8	410
GND	-	P98	P64	GND*	GND*	-
V <sub>CCO</sub>	5	-	P65	V <sub>CCO</sub> Bank 5*	V <sub>CCO</sub> Bank 5*	-
V <sub>CCINT</sub>	-	P97	P66	V <sub>CCINT</sub> *	V <sub>CCINT</sub> *	-
I/O	5	P96	P67	R6	AA8	413
I/O	5	P95	P68	M7	V9	416
I/O	5	-	-	-	AB9	419
I/O	5	-	P69	N7	Y9	422
I/O	5	-	P70	T6	W10	428
I/O	5	-	P71	P7	AB10	431
GND	-	-	P72	GND*	GND*	-
I/O, V <sub>REF</sub>	5	P94	P73	P8	Y10	434
I/O	5	-	P74	R7	V11	437
I/O	5	-	-	T7	W11	440
I/O	5	P93	P75	T8	AB11	443
V <sub>CCINT</sub>	-	P92	P76	V <sub>CCINT</sub> *	V <sub>CCINT</sub> *	-
I, GCK1	5	P91	P77	R8	Y11	455
V <sub>CCO</sub>	5	P90	P78	V <sub>CCO</sub> Bank 5*	V <sub>CCO</sub> Bank 5*	-
V <sub>CCO</sub>	4	P90	P78	V <sub>CCO</sub> Bank 4*	V <sub>CCO</sub> Bank 4*	-
GND	-	P89	P79	GND*	GND*	-
I, GCK0	4	P88	P80	N8	W12	456
I/O	4	P87	P81	N9	U12	460
I/O	4	P86	P82	R9	Y12	466
I/O	4	-	-	N10	AA12	469
I/O	4	-	P83	T9	AB13	472
I/O, V <sub>REF</sub>	4	P85	P84	P9	AA13	475
GND	-	-	P85	GND*	GND*	-
I/O	4	-	P86	M10	Y13	478
I/O	4	-	P87	R10	V13	481
I/O	4	-	P88	P10	AA14	487
I/O	4	-	-	-	V14	490
I/O	4	P84	P89	T10	AB15	493
I/O	4	P83	P90	R11	AA15	496
V <sub>CCINT</sub>	-	P82	P91	V <sub>CCINT</sub> *	V <sub>CCINT</sub> *	-
V <sub>CCO</sub>	4	-	P92	V <sub>CCO</sub> Bank 4*	V <sub>CCO</sub> Bank 4*	-
GND	-	P81	P93	GND*	GND*	-
I/O	4	P80	P94	M11	Y15	499

**XC2S100 Device Pinouts (Continued)**

XC2S100 Pad Name		TQ144	PQ208	FG256	FG456	Bndry Scan
Function	Bank					
I/O, V <sub>REF</sub>	4	P79	P95	T11	AB16	502
I/O	4	-	-	-	AB17	505
I/O	4	P78	P96	N11	V15	508
I/O	4	-	-	R12	Y16	511
I/O	4	-	P97	P11	AB18	517
I/O, V <sub>REF</sub>	4	P77	P98	T12	AB19	520
V <sub>CCO</sub>	4	-	-	V <sub>CCO</sub> Bank 4*	V <sub>CCO</sub> Bank 4*	-
GND	-	-	-	GND*	GND*	-
I/O	4	-	P99	T13	Y17	523
I/O	4	-	-	N12	V16	526
I/O	4	-	-	-	W17	529
I/O	4	P76	P100	R13	AB20	532
I/O	4	-	-	P12	AA19	535
I/O	4	P75	P101	P13	AA20	541
I/O	4	P74	P102	T14	W18	544
GND	-	P73	P103	GND*	GND*	-
DONE	3	P72	P104	R14	Y19	547
V <sub>CCO</sub>	4	P71	P105	V <sub>CCO</sub> Bank 4*	V <sub>CCO</sub> Bank 4*	-
V <sub>CCO</sub>	3	P70	P105	V <sub>CCO</sub> Bank 3*	V <sub>CCO</sub> Bank 3*	-
PROGRAM	-	P69	P106	P15	W20	550
I/O (INIT)	3	P68	P107	N15	V19	551
I/O (D7)	3	P67	P108	N14	Y21	554
I/O	3	-	-	T15	W21	560
I/O	3	P66	P109	M13	U20	563
I/O	3	-	-	-	U19	566
I/O	3	-	-	R16	T18	569
I/O	3	-	P110	M14	W22	572
GND	-	-	-	GND*	GND*	-
V <sub>CCO</sub>	3	-	-	V <sub>CCO</sub> Bank 3*	V <sub>CCO</sub> Bank 3*	-
I/O, V <sub>REF</sub>	3	P65	P111	L14	U21	575
I/O	3	-	P112	M15	T20	578
I/O	3	-	-	L12	T21	584
I/O	3	P64	P113	P16	R18	587
I/O	3	-	-	-	U22	590
I/O, V <sub>REF</sub>	3	P63	P114	L13	R19	593
I/O (D6)	3	P62	P115	N16	T22	596
GND	-	P61	P116	GND*	GND*	-

**XC2S100 Device Pinouts (Continued)**

XC2S100 Pad Name		TQ144	PQ208	FG256	FG456	Bndry Scan
Function	Bank					
V <sub>CCO</sub>	3	-	P117	V <sub>CCO</sub> Bank 3*	V <sub>CCO</sub> Bank 3*	-
V <sub>CCINT</sub>	-	-	P118	V <sub>CCINT</sub> *	V <sub>CCINT</sub> *	-
I/O (D5)	3	P60	P119	M16	R21	599
I/O	3	P59	P120	K14	P18	602
I/O	3	-	-	L16	P20	605
I/O	3	-	P121	K13	P21	608
I/O	3	-	P122	L15	N18	614
I/O	3	-	P123	K12	N20	617
GND	-	-	P124	GND*	GND*	-
I/O, V <sub>REF</sub>	3	P58	P125	K16	N21	620
I/O (D4)	3	P57	P126	J16	N22	623
I/O	3	-	-	J14	M19	626
I/O	3	P56	P127	K15	M20	629
V <sub>CCINT</sub>	-	P55	P128	E5	V <sub>CCINT</sub> *	-
I/O, TRDY <sup>(1)</sup>	3	P54	P129	J15	M22	638
V <sub>CCO</sub>	3	P53	P130	V <sub>CCO</sub> Bank 3*	V <sub>CCO</sub> Bank 3*	-
V <sub>CCO</sub>	2	P53	P130	V <sub>CCO</sub> Bank 2*	V <sub>CCO</sub> Bank 2*	-
GND	-	P52	P131	GND*	GND*	-
I/O, IRDY <sup>(1)</sup>	2	P51	P132	H16	L20	641
I/O	2	-	P133	H14	L17	644
I/O	2	P50	P134	H15	L21	650
I/O	2	-	-	J13	L22	653
I/O (D3)	2	P49	P135	G16	K20	656
I/O, V <sub>REF</sub>	2	P48	P136	H13	K21	659
GND	-	-	P137	GND*	GND*	-
I/O	2	-	P138	G14	K22	662
I/O	2	-	P139	G15	J21	665
I/O	2	-	P140	G12	J18	671
I/O	2	-	-	F16	J22	674
I/O	2	P47	P141	G13	H19	677
I/O (D2)	2	P46	P142	F15	H20	680
V <sub>CCINT</sub>	-	-	P143	V <sub>CCINT</sub> *	V <sub>CCINT</sub> *	-
V <sub>CCO</sub>	2	-	P144	V <sub>CCO</sub> Bank 2*	V <sub>CCO</sub> Bank 2*	-
GND	-	P45	P145	GND*	GND*	-
I/O (D1)	2	P44	P146	E16	H22	683
I/O, V <sub>REF</sub>	2	P43	P147	F14	H18	686
I/O	2	-	-	-	G21	689
I/O	2	P42	P148	D16	G18	692

**XC2S100 Device Pinouts (Continued)**

XC2S100 Pad Name		TQ144	PQ208	FG256	FG456	Bndry Scan
Function	Bank					
I/O	2	-	-	F12	G20	695
I/O	2	-	P149	E15	F19	701
I/O, V <sub>REF</sub>	2	P41	P150	F13	F21	704
V <sub>CCO</sub>	2	-	-	V <sub>CCO</sub> Bank 2*	V <sub>CCO</sub> Bank 2*	-
GND	-	-	-	GND*	GND*	-
I/O	2	-	P151	E14	F20	707
I/O	2	-	-	C16	F18	710
I/O	2	-	-	-	E21	713
I/O	2	P40	P152	E13	D22	716
I/O	2	-	-	B16	E20	719
I/O (DIN, DO)	2	P39	P153	D14	D20	725
I/O (DOUT, BUSY)	2	P38	P154	C15	C21	728
CCLK	2	P37	P155	D15	B22	731
V <sub>CCO</sub>	2	P36	P156	V <sub>CCO</sub> Bank 2*	V <sub>CCO</sub> Bank 2*	-
V <sub>CCO</sub>	1	P35	P156	V <sub>CCO</sub> Bank 1*	V <sub>CCO</sub> Bank 1*	-
TDO	2	P34	P157	B14	A21	-
GND	-	P33	P158	GND*	GND*	-
TDI	-	P32	P159	A15	B20	-
I/O ( $\overline{CS}$ )	1	P31	P160	B13	C19	0
I/O ( $\overline{WRITE}$ )	1	P30	P161	C13	A20	3
I/O	1	-	-	C12	D17	9
I/O	1	P29	P162	A14	A19	12
I/O	1	-	-	-	B18	15
I/O	1	-	-	D12	C17	18
I/O	1	-	P163	B12	D16	21
GND	-	-	-	GND*	GND*	-
V <sub>CCO</sub>	1	-	-	V <sub>CCO</sub> Bank 1*	V <sub>CCO</sub> Bank 1*	-
I/O, V <sub>REF</sub>	1	P28	P164	C11	A18	24
I/O	1	-	P165	A13	B17	27
I/O	1	-	-	D11	D15	33
I/O	1	-	P166	A12	C16	36
I/O	1	-	-	-	D14	39
I/O, V <sub>REF</sub>	1	P27	P167	E11	E14	42
I/O	1	P26	P168	B11	A16	45
GND	-	P25	P169	GND*	GND*	-

**XC2S100 Device Pinouts (Continued)**

XC2S100 Pad Name		TQ144	PQ208	FG256	FG456	Bndry Scan
Function	Bank					
V <sub>CCO</sub>	1	-	P170	V <sub>CCO</sub> Bank 1*	V <sub>CCO</sub> Bank 1*	-
V <sub>CCINT</sub>	-	P24	P171	V <sub>CCINT</sub> *	V <sub>CCINT</sub> *	-
I/O	1	P23	P172	A11	C15	48
I/O	1	P22	P173	C10	B15	51
I/O	1	-	-	-	F12	54
I/O	1	-	P174	B10	C14	57
I/O	1	-	P175	D10	D13	63
I/O	1	-	P176	A10	C13	66
GND	-	-	P177	GND*	GND*	-
I/O, V <sub>REF</sub>	1	P21	P178	B9	B13	69
I/O	1	-	P179	E10	E12	72
I/O	1	-	-	A9	B12	75
I/O	1	P20	P180	D9	D12	78
I/O	1	P19	P181	A8	D11	84
I, GCK2	1	P18	P182	C9	A11	90
GND	-	P17	P183	GND*	GND*	-
V <sub>CCO</sub>	1	P16	P184	V <sub>CCO</sub> Bank 1*	V <sub>CCO</sub> Bank 1*	-
V <sub>CCO</sub>	0	P16	P184	V <sub>CCO</sub> Bank 0*	V <sub>CCO</sub> Bank 0*	-
I, GCK3	0	P15	P185	B8	C11	91
V <sub>CCINT</sub>	-	P14	P186	V <sub>CCINT</sub> *	V <sub>CCINT</sub> *	-
I/O	0	P13	P187	A7	A10	101
I/O	0	-	-	D8	B10	104

**XC2S100 Device Pinouts (Continued)**

XC2S100 Pad Name						Bndry Scan
Function	Bank	TQ144	PQ208	FG256	FG456	
I/O	0	-	P188	A6	C10	107
I/O, V <sub>REF</sub>	0	P12	P189	B7	A9	110
GND	-	-	P190	GND*	GND*	-
I/O	0	-	P191	C8	B9	113
I/O	0	-	P192	D7	E10	116
I/O	0	-	P193	E7	A8	122
I/O	0	-	-	-	D9	125
I/O	0	P11	P194	C7	E9	128
I/O	0	P10	P195	B6	A7	131
V <sub>CCINT</sub>	-	P9	P196	V <sub>CCINT</sub> *	V <sub>CCINT</sub> *	-
V <sub>CCO</sub>	0	-	P197	V <sub>CCO</sub> Bank 0*	V <sub>CCO</sub> Bank 0*	-
GND	-	P8	P198	GND*	GND*	-
I/O	0	P7	P199	A5	B7	134
I/O, V <sub>REF</sub>	0	P6	P200	C6	E8	137
I/O	0	-	-	-	D8	140
I/O	0	-	P201	B5	C7	143
I/O	0	-	-	D6	D7	146
I/O	0	-	P202	A4	D6	152
I/O, V <sub>REF</sub>	0	P5	P203	B4	C6	155
V <sub>CCO</sub>	0	-	-	V <sub>CCO</sub> Bank 0*	V <sub>CCO</sub> Bank 0*	-
GND	-	-	-	GND*	GND*	-
I/O	0	-	P204	E6	B5	158
I/O	0	-	-	D5	E7	161
I/O	0	-	-	-	E6	164
I/O	0	P4	P205	A3	B4	167
I/O	0	-	-	C5	A3	170
I/O	0	P3	P206	B3	C5	176
TCK	-	P2	P207	C4	C4	-
V <sub>CCO</sub>	0	P1	P208	V <sub>CCO</sub> Bank 0*	V <sub>CCO</sub> Bank 0*	-
V <sub>CCO</sub>	7	P144	P208	V <sub>CCO</sub> Bank 7*	V <sub>CCO</sub> Bank 7*	-

04/18/01

**Notes:**

1. IRDY and TRDY can only be accessed when using Xilinx PCI cores.
2. Pads labelled GND\*, V<sub>CCINT</sub>\*, V<sub>CCO</sub> Bank 0\*, V<sub>CCO</sub> Bank 1\*, V<sub>CCO</sub> Bank 2\*, V<sub>CCO</sub> Bank 3\*, V<sub>CCO</sub> Bank 4\*, V<sub>CCO</sub> Bank 5\*, V<sub>CCO</sub> Bank 6\*, V<sub>CCO</sub> Bank 7\* are internally bonded to independent ground or power planes within the package.
3. See "[VCCO Banks](#)" for details on V<sub>CCO</sub> banking.

**Additional XC2S100 Package Pins**
**TQ144**

Not Connected Pins					
P104	P105	-	-	-	-

11/02/00

**PQ208**

Not Connected Pins					
P55	P56	-	-	-	-

11/02/00

**FG256**

V <sub>CCINT</sub> Pins					
C3	C14	D4	D13	E5	E12
M5	M12	N4	N13	P3	P14
V <sub>CCO</sub> Bank 0 Pins					
E8	F8	-	-	-	-
V <sub>CCO</sub> Bank 1 Pins					
E9	F9	-	-	-	-
V <sub>CCO</sub> Bank 2 Pins					
H11	H12	-	-	-	-
V <sub>CCO</sub> Bank 3 Pins					
J11	J12	-	-	-	-
V <sub>CCO</sub> Bank 4 Pins					
L9	M9	-	-	-	-
V <sub>CCO</sub> Bank 5 Pins					
L8	M8	-	-	-	-
V <sub>CCO</sub> Bank 6 Pins					
J5	J6	-	-	-	-
V <sub>CCO</sub> Bank 7 Pins					
H5	H6	-	-	-	-
GND Pins					
A1	A16	B2	B15	F6	F7
F10	F11	G6	G7	G8	G9
G10	G11	H7	H8	H9	H10
J7	J8	J9	J10	K6	K7
K8	K9	K10	K11	L6	L7
L10	L11	R2	R15	T1	T16
Not Connected Pins					
P4	R4	-	-	-	-

11/02/00

**FG456**

V <sub>CCINT</sub> Pins					
E5	E18	F6	F17	G7	G8
G9	G14	G15	G16	H7	H16
J7	J16	P7	P16	R7	R16
T7	T8	T9	T14	T15	T16
U6	U17	V5	V18	-	-
V <sub>CCO</sub> Bank 0 Pins					

**Additional XC2S100 Package Pins (Continued)**

F10	F7	F8	F9	G10	G11
V <sub>CCO</sub> Bank 1 Pins					
F13	F14	F15	F16	G12	G13
V <sub>CCO</sub> Bank 2 Pins					
G17	H17	J17	K16	K17	L16
V <sub>CCO</sub> Bank 3 Pins					
M16	N16	N17	P17	R17	T17
V <sub>CCO</sub> Bank 4 Pins					
T12	T13	U13	U14	U15	U16
V <sub>CCO</sub> Bank 5 Pins					
T10	T11	U10	U7	U8	U9
V <sub>CCO</sub> Bank 6 Pins					
M7	N6	N7	P6	R6	T6
V <sub>CCO</sub> Bank 7 Pins					
G6	H6	J6	K6	K7	L7
GND Pins					
A1	A22	B2	B21	C3	C20
J9	J10	J11	J12	J13	J14
K9	K10	K11	K12	K13	K14
L9	L10	L11	L12	L13	L14
M9	M10	M11	M12	M13	M14
N9	N10	N11	N12	N13	N14
P9	P10	P11	P12	P13	P14
Y3	Y20	AA2	AA21	AB1	AB22
Not Connected Pins					
A2	A4	A5	A6	A12	A13
A14	A15	A17	B3	B6	B8
B11	B14	B16	B19	C1	C2
C8	C9	C12	C18	C22	D1
D4	D5	D10	D18	D19	D21
E4	E11	E13	E15	E16	E17
E19	E22	F4	F11	F22	G2
G3	G4	G19	G22	H1	H21
J1	J3	J4	J19	J20	K2
K18	K19	L2	L5	L18	L19
M2	M6	M17	M18	M21	N1
N5	N19	P1	P5	P19	P22
R1	R3	R20	R22	T5	T19
U3	U11	U18	V1	V2	V10
V12	V17	V3	V4	V6	V8
V20	V21	V22	W4	W5	W9
W13	W14	W15	W16	W19	Y5
Y14	Y18	Y22	AA1	AA3	AA6
AA9	AA10	AA11	AA16	AA17	AA18
AA22	AB3	AB4	AB7	AB8	AB12
AB14	AB21	-	-	-	-

11/02/00

**XC2S150 Device Pinouts**

XC2S150 Pad Name		PQ208	FG256	FG456	Bndry Scan
Function	Bank				
GND	-	P1	GND*	GND*	-
TMS	-	P2	D3	D3	-
I/O	7	P3	C2	B1	221
I/O	7	-	-	E4	224
I/O	7	-	-	C1	227
I/O	7	-	A2	F5	230
GND	-	-	GND*	GND*	-
I/O	7	P4	B1	D2	233
I/O	7	-	-	E3	236
I/O	7	-	-	F4	239
I/O	7	-	E3	G5	242
I/O	7	P5	D2	F3	245
GND	-	-	GND*	GND*	-
V <sub>CCO</sub>	7	-	V <sub>CCO</sub> Bank 7*	V <sub>CCO</sub> Bank 7*	-
I/O, V <sub>REF</sub>	7	P6	C1	E2	248
I/O	7	P7	F3	E1	251
I/O	7	-	-	G4	254
I/O	7	-	-	G3	257
I/O	7	-	E2	H5	260
I/O	7	P8	E4	F2	263
I/O	7	-	-	F1	266
I/O, V <sub>REF</sub>	7	P9	D1	H4	269
I/O	7	P10	E1	G1	272
GND	-	P11	GND*	GND*	-
V <sub>CCO</sub>	7	P12	V <sub>CCO</sub> Bank 7*	V <sub>CCO</sub> Bank 7*	-
V <sub>CCINT</sub>	-	P13	V <sub>CCINT</sub> *	V <sub>CCINT</sub> *	-
I/O	7	P14	F2	H3	275
I/O	7	P15	G3	H2	278
I/O	7	-	-	H1	284
I/O	7	-	F1	J5	287
I/O	7	P16	F4	J2	290
I/O	7	-	-	J3	293
I/O	7	P17	F5	K5	299
I/O	7	P18	G2	K1	302
GND	-	P19	GND*	GND*	-
V <sub>CCO</sub>	7	-	V <sub>CCO</sub> Bank 7*	V <sub>CCO</sub> Bank 7*	-
I/O, V <sub>REF</sub>	7	P20	H3	K3	305
I/O	7	P21	G4	K4	308
I/O	7	-	H2	L6	311

**XC2S150 Device Pinouts (Continued)**

XC2S150 Pad Name		PQ208	FG256	FG456	Bndry Scan
Function	Bank				
I/O	7	P22	G5	L1	314
I/O	7	-	-	L5	317
I/O	7	P23	H4	L4	320
I/O, IRDY <sup>(1)</sup>	7	P24	G1	L3	323
GND	-	P25	GND*	GND*	-
V <sub>CCO</sub>	7	P26	V <sub>CCO</sub> Bank 7*	V <sub>CCO</sub> Bank 7*	-
V <sub>CCO</sub>	6	P26	V <sub>CCO</sub> Bank 6*	V <sub>CCO</sub> Bank 6*	-
I/O, TRDY <sup>(1)</sup>	6	P27	J2	M1	326
V <sub>CCINT</sub>	-	P28	V <sub>CCINT</sub> *	V <sub>CCINT</sub> *	-
I/O	6	-	-	M6	332
I/O	6	P29	H1	M3	335
I/O	6	-	J4	M4	338
I/O	6	P30	J1	M5	341
I/O, V <sub>REF</sub>	6	P31	J3	N2	344
V <sub>CCO</sub>	6	-	V <sub>CCO</sub> Bank 6*	V <sub>CCO</sub> Bank 6*	-
GND	-	P32	GND*	GND*	-
I/O	6	P33	K5	N3	347
I/O	6	P34	K2	N4	350
I/O	6	-	-	N5	356
I/O	6	P35	K1	P2	359
I/O	6	-	K3	P4	362
I/O	6	-	-	R1	365
I/O	6	P36	L1	P3	371
I/O	6	P37	L2	R2	374
V <sub>CCINT</sub>	-	P38	V <sub>CCINT</sub> *	V <sub>CCINT</sub> *	-
V <sub>CCO</sub>	6	P39	V <sub>CCO</sub> Bank 6*	V <sub>CCO</sub> Bank 6*	-
GND	-	P40	GND*	GND*	-
I/O	6	P41	K4	T1	377
I/O, V <sub>REF</sub>	6	P42	M1	R4	380
I/O	6	-	-	T2	383
I/O	6	P43	L4	U1	386
I/O	6	-	M2	R5	389
I/O	6	-	-	V1	392
I/O	6	-	-	T5	395
I/O	6	P44	L3	U2	398
I/O, V <sub>REF</sub>	6	P45	N1	T3	401
V <sub>CCO</sub>	6	-	V <sub>CCO</sub> Bank 6*	V <sub>CCO</sub> Bank 6*	-
GND	-	-	GND*	GND*	-

**XC2S150 Device Pinouts (Continued)**

XC2S150 Pad Name		PQ208	FG256	FG456	Bndry Scan
Function	Bank				
I/O	6	P46	P1	T4	404
I/O	6	-	L5	W1	407
I/O	6	-	-	V2	410
I/O	6	-	-	U4	413
I/O	6	P47	N2	Y1	416
GND	-	-	GND*	GND*	-
I/O	6	-	M4	W2	419
I/O	6	-	-	V3	422
I/O	6	-	-	V4	425
I/O	6	P48	R1	Y2	428
I/O	6	P49	M3	W3	431
M1	-	P50	P2	U5	434
GND	-	P51	GND*	GND*	-
M0	-	P52	N3	AB2	435
V <sub>CCO</sub>	6	P53	V <sub>CCO</sub> Bank 6*	V <sub>CCO</sub> Bank 6*	-
V <sub>CCO</sub>	5	P53	V <sub>CCO</sub> Bank 5*	V <sub>CCO</sub> Bank 5*	-
M2	-	P54	R3	Y4	436
I/O	5	-	-	W5	443
I/O	5	-	-	AB3	446
I/O	5	-	N5	V7	449
GND	-	-	GND*	GND*	-
I/O	5	P57	T2	Y6	452
I/O	5	-	-	AA4	455
I/O	5	-	-	AB4	458
I/O	5	-	P5	W6	461
I/O	5	P58	T3	Y7	464
GND	-	-	GND*	GND*	-
V <sub>CCO</sub>	5	-	V <sub>CCO</sub> Bank 5*	V <sub>CCO</sub> Bank 5*	-
I/O, V <sub>REF</sub>	5	P59	T4	AA5	467
I/O	5	P60	M6	AB5	470
I/O	5	-	-	V8	473
I/O	5	-	-	AA6	476
I/O	5	-	T5	AB6	479
I/O	5	P61	N6	AA7	482
I/O	5	-	-	W7	485
I/O, V <sub>REF</sub>	5	P62	R5	W8	488
I/O	5	P63	P6	Y8	491
GND	-	P64	GND*	GND*	-

**XC2S150 Device Pinouts (Continued)**

XC2S150 Pad Name		PQ208	FG256	FG456	Bndry Scan
Function	Bank				
V <sub>CCO</sub>	5	P65	V <sub>CCO</sub> Bank 5*	V <sub>CCO</sub> Bank 5*	-
V <sub>CCINT</sub>	-	P66	V <sub>CCINT</sub> *	V <sub>CCINT</sub> *	-
I/O	5	P67	R6	AA8	494
I/O	5	P68	M7	V9	497
I/O	5	-	-	W9	503
I/O	5	-	-	AB9	506
I/O	5	P69	N7	Y9	509
I/O	5	-	-	V10	512
I/O	5	P70	T6	W10	518
I/O	5	P71	P7	AB10	521
GND	-	P72	GND*	GND*	-
V <sub>CCO</sub>	5	-	V <sub>CCO</sub> Bank 5*	V <sub>CCO</sub> Bank 5*	-
I/O, V <sub>REF</sub>	5	P73	P8	Y10	524
I/O	5	P74	R7	V11	527
I/O	5	-	T7	W11	530
I/O	5	P75	T8	AB11	533
I/O	5	-	-	U11	536
V <sub>CCINT</sub>	-	P76	V <sub>CCINT</sub> *	V <sub>CCINT</sub> *	-
I, GCK1	5	P77	R8	Y11	545
V <sub>CCO</sub>	5	P78	V <sub>CCO</sub> Bank 5*	V <sub>CCO</sub> Bank 5*	-
V <sub>CCO</sub>	4	P78	V <sub>CCO</sub> Bank 4*	V <sub>CCO</sub> Bank 4*	-
GND	-	P79	GND*	GND*	-
I, GCK0	4	P80	N8	W12	546
I/O	4	P81	N9	U12	550
I/O	4	-	-	V12	553
I/O	4	P82	R9	Y12	556
I/O	4	-	N10	AA12	559
I/O	4	P83	T9	AB13	562
I/O, V <sub>REF</sub>	4	P84	P9	AA13	565
V <sub>CCO</sub>	4	-	V <sub>CCO</sub> Bank 4*	V <sub>CCO</sub> Bank 4*	-
GND	-	P85	GND*	GND*	-
I/O	4	P86	M10	Y13	568
I/O	4	P87	R10	V13	571
I/O	4	-	-	W14	577
I/O	4	P88	P10	AA14	580
I/O	4	-	-	V14	583
I/O	4	-	-	Y14	586
I/O	4	P89	T10	AB15	592



**XC2S150 Device Pinouts (Continued)**

XC2S150 Pad Name		PQ208	FG256	FG456	Bndry Scan
Function	Bank				
I/O	4	P90	R11	AA15	595
V <sub>CCINT</sub>	-	P91	V <sub>CCINT</sub> *	V <sub>CCINT</sub> *	-
V <sub>CCO</sub>	4	P92	V <sub>CCO</sub> Bank 4*	V <sub>CCO</sub> Bank 4*	-
GND	-	P93	GND*	GND*	-
I/O	4	P94	M11	Y15	598
I/O, V <sub>REF</sub>	4	P95	T11	AB16	601
I/O	4	-	-	AB17	604
I/O	4	P96	N11	V15	607
I/O	4	-	R12	Y16	610
I/O	4	-	-	AA17	613
I/O	4	-	-	W16	616
I/O	4	P97	P11	AB18	619
I/O, V <sub>REF</sub>	4	P98	T12	AB19	622
V <sub>CCO</sub>	4	-	V <sub>CCO</sub> Bank 4*	V <sub>CCO</sub> Bank 4*	-
GND	-	-	GND*	GND*	-
I/O	4	P99	T13	Y17	625
I/O	4	-	N12	V16	628
I/O	4	-	-	AA18	631
I/O	4	-	-	W17	634
I/O	4	P100	R13	AB20	637
GND	-	-	GND*	GND*	-
I/O	4	-	P12	AA19	640
I/O	4	-	-	V17	643
I/O	4	-	-	Y18	646
I/O	4	P101	P13	AA20	649
I/O	4	P102	T14	W18	652
GND	-	P103	GND*	GND*	-
DONE	3	P104	R14	Y19	655
V <sub>CCO</sub>	4	P105	V <sub>CCO</sub> Bank 4*	V <sub>CCO</sub> Bank 4*	-
V <sub>CCO</sub>	3	P105	V <sub>CCO</sub> Bank 3*	V <sub>CCO</sub> Bank 3*	-
PROGRAM	-	P106	P15	W20	658
I/O (INIT)	3	P107	N15	V19	659
I/O (D7)	3	P108	N14	Y21	662
I/O	3	-	-	V20	665
I/O	3	-	-	AA22	668
I/O	3	-	T15	W21	671
GND	-	-	GND*	GND*	-
I/O	3	P109	M13	U20	674

**XC2S150 Device Pinouts (Continued)**

XC2S150 Pad Name		PQ208	FG256	FG456	Bndry Scan
Function	Bank				
I/O	3	-	-	U19	677
I/O	3	-	-	V21	680
I/O	3	-	R16	T18	683
I/O	3	P110	M14	W22	686
GND	-	-	GND*	GND*	-
V <sub>CCO</sub>	3	-	V <sub>CCO</sub> Bank 3*	V <sub>CCO</sub> Bank 3*	-
I/O, V <sub>REF</sub>	3	P111	L14	U21	689
I/O	3	P112	M15	T20	692
I/O	3	-	-	T19	695
I/O	3	-	-	V22	698
I/O	3	-	L12	T21	701
I/O	3	P113	P16	R18	704
I/O	3	-	-	U22	707
I/O, V <sub>REF</sub>	3	P114	L13	R19	710
I/O (D6)	3	P115	N16	T22	713
GND	-	P116	GND*	GND*	-
V <sub>CCO</sub>	3	P117	V <sub>CCO</sub> Bank 3*	V <sub>CCO</sub> Bank 3*	-
V <sub>CCINT</sub>	-	P118	V <sub>CCINT</sub> *	V <sub>CCINT</sub> *	-
I/O (D5)	3	P119	M16	R21	716
I/O	3	P120	K14	P18	719
I/O	3	-	-	P19	725
I/O	3	-	L16	P20	728
I/O	3	P121	K13	P21	731
I/O	3	-	-	N19	734
I/O	3	P122	L15	N18	740
I/O	3	P123	K12	N20	743
GND	-	P124	GND*	GND*	-
V <sub>CCO</sub>	3	-	V <sub>CCO</sub> Bank 3*	V <sub>CCO</sub> Bank 3*	-
I/O, V <sub>REF</sub>	3	P125	K16	N21	746
I/O (D4)	3	P126	J16	N22	749
I/O	3	-	J14	M19	752
I/O	3	P127	K15	M20	755
I/O	3	-	-	M18	758
V <sub>CCINT</sub>	-	P128	V <sub>CCINT</sub> *	V <sub>CCINT</sub> *	-
I/O, TRDY <sup>(1)</sup>	3	P129	J15	M22	764
V <sub>CCO</sub>	3	P130	V <sub>CCO</sub> Bank 3*	V <sub>CCO</sub> Bank 3*	-
V <sub>CCO</sub>	2	P130	V <sub>CCO</sub> Bank 2*	V <sub>CCO</sub> Bank 2*	-
GND	-	P131	GND*	GND*	-

**XC2S150 Device Pinouts (Continued)**

XC2S150 Pad Name		PQ208	FG256	FG456	Bndry Scan
Function	Bank				
I/O, IRDY <sup>(1)</sup>	2	P132	H16	L20	767
I/O	2	P133	H14	L17	770
I/O	2	-	-	L18	773
I/O	2	P134	H15	L21	776
I/O	2	-	J13	L22	779
I/O (D3)	2	P135	G16	K20	782
I/O, V <sub>REF</sub>	2	P136	H13	K21	785
V <sub>CCO</sub>	2	-	V <sub>CCO</sub> Bank 2*	V <sub>CCO</sub> Bank 2*	-
GND	-	P137	GND*	GND*	-
I/O	2	P138	G14	K22	788
I/O	2	P139	G15	J21	791
I/O	2	-	-	J20	797
I/O	2	P140	G12	J18	800
I/O	2	-	F16	J22	803
I/O	2	-	-	J19	806
I/O	2	P141	G13	H19	812
I/O (D2)	2	P142	F15	H20	815
V <sub>CCINT</sub>	-	P143	V <sub>CCINT</sub> *	V <sub>CCINT</sub> *	-
V <sub>CCO</sub>	2	P144	V <sub>CCO</sub> Bank 2*	V <sub>CCO</sub> Bank 2*	-
GND	-	P145	GND*	GND*	-
I/O (D1)	2	P146	E16	H22	818
I/O, V <sub>REF</sub>	2	P147	F14	H18	821
I/O	2	-	-	G21	824
I/O	2	P148	D16	G18	827
I/O	2	-	F12	G20	830
I/O	2	-	-	G19	833
I/O	2	-	-	F22	836
I/O	2	P149	E15	F19	839
I/O, V <sub>REF</sub>	2	P150	F13	F21	842
V <sub>CCO</sub>	2	-	V <sub>CCO</sub> Bank 2*	V <sub>CCO</sub> Bank 2*	-
GND	-	-	GND*	GND*	-
I/O	2	P151	E14	F20	845
I/O	2	-	C16	F18	848
I/O	2	-	-	E22	851
I/O	2	-	-	E21	854
I/O	2	P152	E13	D22	857
GND	-	-	GND*	GND*	-
I/O	2	-	B16	E20	860
I/O	2	-	-	D21	863

**XC2S150 Device Pinouts (Continued)**

XC2S150 Pad Name		PQ208	FG256	FG456	Bndry Scan
Function	Bank				
I/O	2	-	-	C22	866
I/O (DIN, D0)	2	P153	D14	D20	869
I/O (DOUT, BUSY)	2	P154	C15	C21	872
CCLK	2	P155	D15	B22	875
V <sub>CCO</sub>	2	P156	V <sub>CCO</sub> Bank 2*	V <sub>CCO</sub> Bank 2*	-
V <sub>CCO</sub>	1	P156	V <sub>CCO</sub> Bank 1*	V <sub>CCO</sub> Bank 1*	-
TDO	2	P157	B14	A21	-
GND	-	P158	GND*	GND*	-
TDI	-	P159	A15	B20	-
I/O ( $\overline{CS}$ )	1	P160	B13	C19	0
I/O ( $\overline{WRITE}$ )	1	P161	C13	A20	3
I/O	1	-	-	B19	6
I/O	1	-	-	C18	9
I/O	1	-	C12	D17	12
GND	-	-	GND*	GND*	-
I/O	1	P162	A14	A19	15
I/O	1	-	-	B18	18
I/O	1	-	-	E16	21
I/O	1	-	D12	C17	24
I/O	1	P163	B12	D16	27
GND	-	-	GND*	GND*	-
V <sub>CCO</sub>	1	-	V <sub>CCO</sub> Bank 1*	V <sub>CCO</sub> Bank 1*	-
I/O, V <sub>REF</sub>	1	P164	C11	A18	30
I/O	1	P165	A13	B17	33
I/O	1	-	-	E15	36
I/O	1	-	-	A17	39
I/O	1	-	D11	D15	42
I/O	1	P166	A12	C16	45
I/O	1	-	-	D14	48
I/O, V <sub>REF</sub>	1	P167	E11	E14	51
I/O	1	P168	B11	A16	54
GND	-	P169	GND*	GND*	-
V <sub>CCO</sub>	1	P170	V <sub>CCO</sub> Bank 1*	V <sub>CCO</sub> Bank 1*	-
V <sub>CCINT</sub>	-	P171	V <sub>CCINT</sub> *	V <sub>CCINT</sub> *	-
I/O	1	P172	A11	C15	57
I/O	1	P173	C10	B15	60
I/O	1	-	-	A15	66
I/O	1	-	-	F12	69

**XC2S150 Device Pinouts (Continued)**

XC2S150 Pad Name		PQ208	FG256	FG456	Bndry Scan
Function	Bank				
I/O	1	P174	B10	C14	72
I/O	1	-	-	B14	75
I/O	1	P175	D10	D13	81
I/O	1	P176	A10	C13	84
GND	-	P177	GND*	GND*	-
V <sub>CCO</sub>	1	-	V <sub>CCO</sub> Bank 1*	V <sub>CCO</sub> Bank 1*	-
I/O, V <sub>REF</sub>	1	P178	B9	B13	87
I/O	1	P179	E10	E12	90
I/O	1	-	A9	B12	93
I/O	1	P180	D9	D12	96
I/O	1	-	-	C12	99
I/O	1	P181	A8	D11	102
I, GCK2	1	P182	C9	A11	108
GND	-	P183	GND*	GND*	-
V <sub>CCO</sub>	1	P184	V <sub>CCO</sub> Bank 1*	V <sub>CCO</sub> Bank 1*	-
V <sub>CCO</sub>	0	P184	V <sub>CCO</sub> Bank 0*	V <sub>CCO</sub> Bank 0*	-
I, GCK3	0	P185	B8	C11	109
V <sub>CCINT</sub>	-	P186	V <sub>CCINT</sub> *	V <sub>CCINT</sub> *	-
I/O	0	-	-	E11	116
I/O	0	P187	A7	A10	119
I/O	0	-	D8	B10	122
I/O	0	P188	A6	C10	125
I/O, V <sub>REF</sub>	0	P189	B7	A9	128
V <sub>CCO</sub>	0	-	V <sub>CCO</sub> Bank 0*	V <sub>CCO</sub> Bank 0*	-
GND	-	P190	GND*	GND*	-
I/O	0	P191	C8	B9	131
I/O	0	P192	D7	E10	134
I/O	0	-	-	D10	140
I/O	0	P193	E7	A8	143
I/O	0	-	-	D9	146
I/O	0	-	-	B8	149
I/O	0	P194	C7	E9	155
I/O	0	P195	B6	A7	158

**XC2S150 Device Pinouts (Continued)**

XC2S150 Pad Name		PQ208	FG256	FG456	Bndry Scan
Function	Bank				
V <sub>CCINT</sub>	-	P196	V <sub>CCINT</sub> *	V <sub>CCINT</sub> *	-
V <sub>CCO</sub>	0	P197	V <sub>CCO</sub> Bank 0*	V <sub>CCO</sub> Bank 0*	-
GND	-	P198	GND*	GND*	-
I/O	0	P199	A5	B7	161
I/O, V <sub>REF</sub>	0	P200	C6	E8	164
I/O	0	-	-	D8	167
I/O	0	P201	B5	C7	170
I/O	0	-	D6	D7	173
I/O	0	-	-	B6	176
I/O	0	-	-	A5	179
I/O	0	P202	A4	D6	182
I/O, V <sub>REF</sub>	0	P203	B4	C6	185
V <sub>CCO</sub>	0	-	V <sub>CCO</sub> Bank 0*	V <sub>CCO</sub> Bank 0*	-
GND	-	-	GND*	GND*	-
I/O	0	P204	E6	B5	188
I/O	0	-	D5	E7	191
I/O	0	-	-	A4	194
I/O	0	-	-	E6	197
I/O	0	P205	A3	B4	200
GND	-	-	GND*	GND*	-
I/O	0	-	C5	A3	203
I/O	0	-	-	B3	206
I/O	0	-	-	D5	209
I/O	0	P206	B3	C5	212
TCK	-	P207	C4	C4	-
V <sub>CCO</sub>	0	P208	V <sub>CCO</sub> Bank 0*	V <sub>CCO</sub> Bank 0*	-
V <sub>CCO</sub>	7	P208	V <sub>CCO</sub> Bank 7*	V <sub>CCO</sub> Bank 7*	-

04/18/01

**Notes:**

1. IRDY and TRDY can only be accessed when using Xilinx PCI cores.
2. Pads labelled GND\*, V<sub>CCINT</sub>\*, V<sub>CCO</sub> Bank 0\*, V<sub>CCO</sub> Bank 1\*, V<sub>CCO</sub> Bank 2\*, V<sub>CCO</sub> Bank 3\*, V<sub>CCO</sub> Bank 4\*, V<sub>CCO</sub> Bank 5\*, V<sub>CCO</sub> Bank 6\*, V<sub>CCO</sub> Bank 7\* are internally bonded to independent ground or power planes within the package.
3. See "[VCCO Banks](#)" for details on V<sub>CCO</sub> banking.

**Additional XC2S150 Package Pins**
**PQ208**

Not Connected Pins					
P55	P56	-	-	-	-

11/02/00

**FG256**

V <sub>CCINT</sub> Pins					
C3	C14	D4	D13	E5	E12
M5	M12	N4	N13	P3	P14
V <sub>CCO</sub> Bank 0 Pins					
E8	F8	-	-	-	-
V <sub>CCO</sub> Bank 1 Pins					
E9	F9	-	-	-	-
V <sub>CCO</sub> Bank 2 Pins					
H11	H12	-	-	-	-
V <sub>CCO</sub> Bank 3 Pins					
J11	J12	-	-	-	-
V <sub>CCO</sub> Bank 4 Pins					
L9	M9	-	-	-	-
V <sub>CCO</sub> Bank 5 Pins					
L8	M8	-	-	-	-
V <sub>CCO</sub> Bank 6 Pins					
J5	J6	-	-	-	-
V <sub>CCO</sub> Bank 7 Pins					
H5	H6	-	-	-	-
GND Pins					
A1	A16	B2	B15	F6	F7
F10	F11	G6	G7	G8	G9
G10	G11	H7	H8	H9	H10
J7	J8	J9	J10	K6	K7
K8	K9	K10	K11	L6	L7
L10	L11	R2	R15	T1	T16
Not Connected Pins					
P4	R4	-	-	-	-

11/02/00

**Additional XC2S150 Package Pins (Continued)**
**FG456**

V <sub>CCINT</sub> Pins					
E5	E18	F6	F17	G7	G8
G9	G14	G15	G16	H7	H16
J7	J16	P7	P16	R7	R16
T7	T8	T9	T14	T15	T16
U6	U17	V5	V18	-	-
V <sub>CCO</sub> Bank 0 Pins					
F7	F8	F9	F10	G10	G11
V <sub>CCO</sub> Bank 1 Pins					
F13	F14	F15	F16	G12	G13
V <sub>CCO</sub> Bank 2 Pins					
G17	H17	J17	K16	K17	L16
V <sub>CCO</sub> Bank 3 Pins					
M16	N16	N17	P17	R17	T17
V <sub>CCO</sub> Bank 4 Pins					
T12	T13	U13	U14	U15	U16
V <sub>CCO</sub> Bank 5 Pins					
T10	T11	U7	U8	U9	U10
V <sub>CCO</sub> Bank 6 Pins					
M7	N6	N7	P6	R6	T6
V <sub>CCO</sub> Bank 7 Pins					
G6	H6	J6	K6	K7	L7
GND Pins					
A1	A22	B2	B21	C3	C20
J9	J10	J11	J12	J13	J14
K9	K10	K11	K12	K13	K14
L9	L10	L11	L12	L13	L14
M9	M10	M11	M12	M13	M14
N9	N10	N11	N12	N13	N14
P9	P10	P11	P12	P13	P14
Y3	Y20	AA2	AA21	AB1	AB22
Not Connected Pins					
A2	A6	A12	A13	A14	B11
B16	C2	C8	C9	D1	D4
D18	D19	E13	E17	E19	F11
G2	G22	H21	J1	J4	K2
K18	K19	L2	L19	M2	M17
M21	N1	P1	P5	P22	R3
R20	R22	U3	U18	V6	W4
W13	W15	W19	Y5	Y22	AA1
AA3	AA9	AA10	AA11	AA16	AB7
AB8	AB12	AB14	AB21	-	-

11/02/00

**XC2S200 Device Pinouts**

XC2S200 Pad Name		PQ208	FG256	FG456	Bndry Scan
Function	Bank				
GND	-	P1	GND*	GND*	-
TMS	-	P2	D3	D3	-
I/O	7	P3	C2	B1	257
I/O	7	-	-	E4	263
I/O	7	-	-	C1	266
I/O	7	-	A2	F5	269
GND	-	-	GND*	GND*	-
I/O, V <sub>REF</sub>	7	P4	B1	D2	272
I/O	7	-	-	E3	275
I/O	7	-	-	F4	281
GND	-	-	GND*	GND*	-
I/O	7	-	E3	G5	284
I/O	7	P5	D2	F3	287
GND	-	-	GND*	GND*	-
V <sub>CCO</sub>	7	-	V <sub>CCO</sub> Bank 7*	V <sub>CCO</sub> Bank 7*	-
I/O, V <sub>REF</sub>	7	P6	C1	E2	290
I/O	7	P7	F3	E1	293
I/O	7	-	-	G4	296
I/O	7	-	-	G3	299
I/O	7	-	E2	H5	302
GND	-	-	GND*	GND*	-
I/O	7	P8	E4	F2	305
I/O	7	-	-	F1	308
I/O, V <sub>REF</sub>	7	P9	D1	H4	314
I/O	7	P10	E1	G1	317
GND	-	P11	GND*	GND*	-
V <sub>CCO</sub>	7	P12	V <sub>CCO</sub> Bank 7*	V <sub>CCO</sub> Bank 7*	-
V <sub>CCINT</sub>	-	P13	V <sub>CCINT</sub> *	V <sub>CCINT</sub> *	-
I/O	7	P14	F2	H3	320
I/O	7	P15	G3	H2	323
I/O	7	-	-	J4	326
I/O	7	-	-	H1	329
I/O	7	-	F1	J5	332
GND	-	-	GND*	GND*	-
I/O	7	P16	F4	J2	335
I/O	7	-	-	J3	338
I/O	7	-	-	J1	341
I/O	7	P17	F5	K5	344
I/O	7	P18	G2	K1	347
GND	-	P19	GND*	GND*	-

**XC2S200 Device Pinouts (Continued)**

XC2S200 Pad Name		PQ208	FG256	FG456	Bndry Scan
Function	Bank				
V <sub>CCO</sub>	7	-	V <sub>CCO</sub> Bank 7*	V <sub>CCO</sub> Bank 7*	-
I/O, V <sub>REF</sub>	7	P20	H3	K3	350
I/O	7	P21	G4	K4	353
I/O	7	-	-	K2	359
I/O	7	-	H2	L6	362
I/O	7	P22	G5	L1	365
I/O	7	-	-	L5	368
I/O	7	P23	H4	L4	374
I/O, IRDY <sup>(1)</sup>	7	P24	G1	L3	377
GND	-	P25	GND*	GND*	-
V <sub>CCO</sub>	7	P26	V <sub>CCO</sub> Bank 7*	V <sub>CCO</sub> Bank 7*	-
V <sub>CCO</sub>	6	P26	V <sub>CCO</sub> Bank 6*	V <sub>CCO</sub> Bank 6*	-
I/O, TRDY <sup>(1)</sup>	6	P27	J2	M1	380
V <sub>CCINT</sub>	-	P28	V <sub>CCINT</sub> *	V <sub>CCINT</sub> *	-
I/O	6	-	-	M6	389
I/O	6	P29	H1	M3	392
I/O	6	-	J4	M4	395
I/O	6	-	-	N1	398
I/O	6	P30	J1	M5	404
I/O, V <sub>REF</sub>	6	P31	J3	N2	407
V <sub>CCO</sub>	6	-	V <sub>CCO</sub> Bank 6*	V <sub>CCO</sub> Bank 6*	-
GND	-	P32	GND*	GND*	-
I/O	6	P33	K5	N3	410
I/O	6	P34	K2	N4	413
I/O	6	-	-	P1	416
I/O	6	-	-	N5	419
I/O	6	P35	K1	P2	422
GND	-	-	GND*	GND*	-
I/O	6	-	K3	P4	425
I/O	6	-	-	R1	428
I/O	6	-	-	P5	431
I/O	6	P36	L1	P3	434
I/O	6	P37	L2	R2	437
V <sub>CCINT</sub>	-	P38	V <sub>CCINT</sub> *	V <sub>CCINT</sub> *	-
V <sub>CCO</sub>	6	P39	V <sub>CCO</sub> Bank 6*	V <sub>CCO</sub> Bank 6*	-
GND	-	P40	GND*	GND*	-
I/O	6	P41	K4	T1	440
I/O, V <sub>REF</sub>	6	P42	M1	R4	443

**XC2S200 Device Pinouts (Continued)**

XC2S200 Pad Name		PQ208	FG256	FG456	Bndry Scan
Function	Bank				
I/O	6	-	-	T2	449
I/O	6	P43	L4	U1	452
GND	-	-	GND*	GND*	-
I/O	6	-	M2	R5	455
I/O	6	-	-	V1	458
I/O	6	-	-	T5	461
I/O	6	P44	L3	U2	464
I/O, V <sub>REF</sub>	6	P45	N1	T3	467
V <sub>CCO</sub>	6	-	V <sub>CCO</sub> Bank 6*	V <sub>CCO</sub> Bank 6*	-
GND	-	-	GND*	GND*	-
I/O	6	P46	P1	T4	470
I/O	6	-	L5	W1	473
GND	-	-	GND*	GND*	-
I/O	6	-	-	V2	476
I/O	6	-	-	U4	482
I/O, V <sub>REF</sub>	6	P47	N2	Y1	485
GND	-	-	GND*	GND*	-
I/O	6	-	M4	W2	488
I/O	6	-	-	V3	491
I/O	6	-	-	V4	494
I/O	6	P48	R1	Y2	500
I/O	6	P49	M3	W3	503
M1	-	P50	P2	U5	506
GND	-	P51	GND*	GND*	-
M0	-	P52	N3	AB2	507
V <sub>CCO</sub>	6	P53	V <sub>CCO</sub> Bank 6*	V <sub>CCO</sub> Bank 6*	-
V <sub>CCO</sub>	5	P53	V <sub>CCO</sub> Bank 5*	V <sub>CCO</sub> Bank 5*	-
M2	-	P54	R3	Y4	508
I/O	5	-	-	W5	518
I/O	5	-	-	AB3	521
I/O	5	-	N5	V7	524
GND	-	-	GND*	GND*	-
I/O, V <sub>REF</sub>	5	P57	T2	Y6	527
I/O	5	-	-	AA4	530
I/O	5	-	-	AB4	536
I/O	5	-	P5	W6	539
I/O	5	P58	T3	Y7	542
GND	-	-	GND*	GND*	-

**XC2S200 Device Pinouts (Continued)**

XC2S200 Pad Name		PQ208	FG256	FG456	Bndry Scan
Function	Bank				
V <sub>CCO</sub>	5	-	V <sub>CCO</sub> Bank 5*	V <sub>CCO</sub> Bank 5*	-
I/O, V <sub>REF</sub>	5	P59	T4	AA5	545
I/O	5	P60	M6	AB5	548
I/O	5	-	-	V8	551
I/O	5	-	-	AA6	554
I/O	5	-	T5	AB6	557
GND	-	-	GND*	GND*	-
I/O	5	P61	N6	AA7	560
I/O	5	-	-	W7	563
I/O, V <sub>REF</sub>	5	P62	R5	W8	569
I/O	5	P63	P6	Y8	572
GND	-	P64	GND*	GND*	-
V <sub>CCO</sub>	5	P65	V <sub>CCO</sub> Bank 5*	V <sub>CCO</sub> Bank 5*	-
V <sub>CCINT</sub>	-	P66	V <sub>CCINT</sub> *	V <sub>CCINT</sub> *	-
I/O	5	P67	R6	AA8	575
I/O	5	P68	M7	V9	578
I/O	5	-	-	AB8	581
I/O	5	-	-	W9	584
I/O	5	-	-	AB9	587
GND	-	-	GND*	GND*	-
I/O	5	P69	N7	Y9	590
I/O	5	-	-	V10	593
I/O	5	-	-	AA9	596
I/O	5	P70	T6	W10	599
I/O	5	P71	P7	AB10	602
GND	-	P72	GND*	GND*	-
V <sub>CCO</sub>	5	-	V <sub>CCO</sub> Bank 5*	V <sub>CCO</sub> Bank 5*	-
I/O, V <sub>REF</sub>	5	P73	P8	Y10	605
I/O	5	P74	R7	V11	608
I/O	5	-	-	AA10	614
I/O	5	-	T7	W11	617
I/O	5	P75	T8	AB11	620
I/O	5	-	-	U11	623
V <sub>CCINT</sub>	-	P76	V <sub>CCINT</sub> *	V <sub>CCINT</sub> *	-
I, GCK1	5	P77	R8	Y11	635
V <sub>CCO</sub>	5	P78	V <sub>CCO</sub> Bank 5*	V <sub>CCO</sub> Bank 5*	-
V <sub>CCO</sub>	4	P78	V <sub>CCO</sub> Bank 4*	V <sub>CCO</sub> Bank 4*	-
GND	-	P79	GND*	GND*	-

**XC2S200 Device Pinouts (Continued)**

XC2S200 Pad Name		PQ208	FG256	FG456	Bndry Scan
Function	Bank				
I, GCK0	4	P80	N8	W12	636
I/O	4	P81	N9	U12	640
I/O	4	-	-	V12	646
I/O	4	P82	R9	Y12	649
I/O	4	-	N10	AA12	652
I/O	4	-	-	W13	655
I/O	4	P83	T9	AB13	661
I/O, V <sub>REF</sub>	4	P84	P9	AA13	664
V <sub>CCO</sub>	4	-	V <sub>CCO</sub> Bank 4*	V <sub>CCO</sub> Bank 4*	-
GND	-	P85	GND*	GND*	-
I/O	4	P86	M10	Y13	667
I/O	4	P87	R10	V13	670
I/O	4	-	-	AB14	673
I/O	4	-	-	W14	676
I/O	4	P88	P10	AA14	679
GND	-	-	GND*	GND*	-
I/O	4	-	-	V14	682
I/O	4	-	-	Y14	685
I/O	4	-	-	W15	688
I/O	4	P89	T10	AB15	691
I/O	4	P90	R11	AA15	694
V <sub>CCINT</sub>	-	P91	V <sub>CCINT</sub> *	V <sub>CCINT</sub> *	-
V <sub>CCO</sub>	4	P92	V <sub>CCO</sub> Bank 4*	V <sub>CCO</sub> Bank 4*	-
GND	-	P93	GND*	GND*	-
I/O	4	P94	M11	Y15	697
I/O, V <sub>REF</sub>	4	P95	T11	AB16	700
I/O	4	-	-	AB17	706
I/O	4	P96	N11	V15	709
GND	-	-	GND*	GND*	-
I/O	4	-	R12	Y16	712
I/O	4	-	-	AA17	715
I/O	4	-	-	W16	718
I/O	4	P97	P11	AB18	721
I/O, V <sub>REF</sub>	4	P98	T12	AB19	724
V <sub>CCO</sub>	4	-	V <sub>CCO</sub> Bank 4*	V <sub>CCO</sub> Bank 4*	-
GND	-	-	GND*	GND*	-
I/O	4	P99	T13	Y17	727
I/O	4	-	N12	V16	730
I/O	4	-	-	AA18	733

**XC2S200 Device Pinouts (Continued)**

XC2S200 Pad Name		PQ208	FG256	FG456	Bndry Scan
Function	Bank				
I/O	4	-	-	W17	739
I/O, V <sub>REF</sub>	4	P100	R13	AB20	742
GND	-	-	GND*	GND*	-
I/O	4	-	P12	AA19	745
I/O	4	-	-	V17	748
I/O	4	-	-	Y18	751
I/O	4	P101	P13	AA20	757
I/O	4	P102	T14	W18	760
GND	-	P103	GND*	GND*	-
DONE	3	P104	R14	Y19	763
V <sub>CCO</sub>	4	P105	V <sub>CCO</sub> Bank 4*	V <sub>CCO</sub> Bank 4*	-
V <sub>CCO</sub>	3	P105	V <sub>CCO</sub> Bank 3*	V <sub>CCO</sub> Bank 3*	-
PROGRAM	-	P106	P15	W20	766
I/O (INIT)	3	P107	N15	V19	767
I/O (D7)	3	P108	N14	Y21	770
I/O	3	-	-	V20	776
I/O	3	-	-	AA22	779
I/O	3	-	T15	W21	782
GND	-	-	GND*	GND*	-
I/O, V <sub>REF</sub>	3	P109	M13	U20	785
I/O	3	-	-	U19	788
I/O	3	-	-	V21	794
GND	-	-	GND*	GND*	-
I/O	3	-	R16	T18	797
I/O	3	P110	M14	W22	800
GND	-	-	GND*	GND*	-
V <sub>CCO</sub>	3	-	V <sub>CCO</sub> Bank 3*	V <sub>CCO</sub> Bank 3*	-
I/O, V <sub>REF</sub>	3	P111	L14	U21	803
I/O	3	P112	M15	T20	806
I/O	3	-	-	T19	809
I/O	3	-	-	V22	812
I/O	3	-	L12	T21	815
GND	-	-	GND*	GND*	-
I/O	3	P113	P16	R18	818
I/O	3	-	-	U22	821
I/O, V <sub>REF</sub>	3	P114	L13	R19	827
I/O (D6)	3	P115	N16	T22	830
GND	-	P116	GND*	GND*	-

**XC2S200 Device Pinouts (Continued)**

XC2S200 Pad Name		PQ208	FG256	FG456	Bndry Scan
Function	Bank				
V <sub>CCO</sub>	3	P117	V <sub>CCO</sub> Bank 3*	V <sub>CCO</sub> Bank 3*	-
V <sub>CCINT</sub>	-	P118	V <sub>CCINT</sub> *	V <sub>CCINT</sub> *	-
I/O (D5)	3	P119	M16	R21	833
I/O	3	P120	K14	P18	836
I/O	3	-	-	R22	839
I/O	3	-	-	P19	842
I/O	3	-	L16	P20	845
GND	-	-	GND*	GND*	-
I/O	3	P121	K13	P21	848
I/O	3	-	-	N19	851
I/O	3	-	-	P22	854
I/O	3	P122	L15	N18	857
I/O	3	P123	K12	N20	860
GND	-	P124	GND*	GND*	-
V <sub>CCO</sub>	3	-	V <sub>CCO</sub> Bank 3*	V <sub>CCO</sub> Bank 3*	-
I/O, V <sub>REF</sub>	3	P125	K16	N21	863
I/O (D4)	3	P126	J16	N22	866
I/O	3	-	-	M17	872
I/O	3	-	J14	M19	875
I/O	3	P127	K15	M20	878
I/O	3	-	-	M18	881
V <sub>CCINT</sub>	-	P128	V <sub>CCINT</sub> *	V <sub>CCINT</sub> *	-
I/O, TRDY <sup>(1)</sup>	3	P129	J15	M22	890
V <sub>CCO</sub>	3	P130	V <sub>CCO</sub> Bank 3*	V <sub>CCO</sub> Bank 3*	-
V <sub>CCO</sub>	2	P130	V <sub>CCO</sub> Bank 2*	V <sub>CCO</sub> Bank 2*	-
GND	-	P131	GND*	GND*	-
I/O, IRDY <sup>(1)</sup>	2	P132	H16	L20	893
I/O	2	P133	H14	L17	896
I/O	2	-	-	L18	902
I/O	2	P134	H15	L21	905
I/O	2	-	J13	L22	908
I/O	2	-	-	K19	911
I/O (D3)	2	P135	G16	K20	917
I/O, V <sub>REF</sub>	2	P136	H13	K21	920
V <sub>CCO</sub>	2	-	V <sub>CCO</sub> Bank 2*	V <sub>CCO</sub> Bank 2*	-
GND	-	P137	GND*	GND*	-
I/O	2	P138	G14	K22	923
I/O	2	P139	G15	J21	926

**XC2S200 Device Pinouts (Continued)**

XC2S200 Pad Name		PQ208	FG256	FG456	Bndry Scan
Function	Bank				
I/O	2	-	-	K18	929
I/O	2	-	-	J20	932
I/O	2	P140	G12	J18	935
GND	-	-	GND*	GND*	-
I/O	2	-	F16	J22	938
I/O	2	-	-	J19	941
I/O	2	-	-	H21	944
I/O	2	P141	G13	H19	947
I/O (D2)	2	P142	F15	H20	950
V <sub>CCINT</sub>	-	P143	V <sub>CCINT</sub> *	V <sub>CCINT</sub> *	-
V <sub>CCO</sub>	2	P144	V <sub>CCO</sub> Bank 2*	V <sub>CCO</sub> Bank 2*	-
GND	-	P145	GND*	GND*	-
I/O (D1)	2	P146	E16	H22	953
I/O, V <sub>REF</sub>	2	P147	F14	H18	956
I/O	2	-	-	G21	962
I/O	2	P148	D16	G18	965
GND	-	-	GND*	GND*	-
I/O	2	-	F12	G20	968
I/O	2	-	-	G19	971
I/O	2	-	-	F22	974
I/O	2	P149	E15	F19	977
I/O, V <sub>REF</sub>	2	P150	F13	F21	980
V <sub>CCO</sub>	2	-	V <sub>CCO</sub> Bank 2*	V <sub>CCO</sub> Bank 2*	-
GND	-	-	GND*	GND*	-
I/O	2	P151	E14	F20	983
I/O	2	-	C16	F18	986
GND	-	-	GND*	GND*	-
I/O	2	-	-	E22	989
I/O	2	-	-	E21	995
I/O, V <sub>REF</sub>	2	P152	E13	D22	998
GND	-	-	GND*	GND*	-
I/O	2	-	B16	E20	1001
I/O	2	-	-	D21	1004
I/O	2	-	-	C22	1007
I/O (DIN, D0)	2	P153	D14	D20	1013
I/O (DOUT, BUSY)	2	P154	C15	C21	1016
CCLK	2	P155	D15	B22	1019
V <sub>CCO</sub>	2	P156	V <sub>CCO</sub> Bank 2*	V <sub>CCO</sub> Bank 2*	-



**XC2S200 Device Pinouts (Continued)**

XC2S200 Pad Name		PQ208	FG256	FG456	Bndry Scan
Function	Bank				
V <sub>CCO</sub>	1	P156	V <sub>CCO</sub> Bank 1*	V <sub>CCO</sub> Bank 1*	-
TDO	2	P157	B14	A21	-
GND	-	P158	GND*	GND*	-
TDI	-	P159	A15	B20	-
I/O ( $\overline{CS}$ )	1	P160	B13	C19	0
I/O ( $\overline{WRITE}$ )	1	P161	C13	A20	3
I/O	1	-	-	B19	9
I/O	1	-	-	C18	12
I/O	1	-	C12	D17	15
GND	-	-	GND*	GND*	-
I/O, V <sub>REF</sub>	1	P162	A14	A19	18
I/O	1	-	-	B18	21
I/O	1	-	-	E16	27
I/O	1	-	D12	C17	30
I/O	1	P163	B12	D16	33
GND	-	-	GND*	GND*	-
V <sub>CCO</sub>	1	-	V <sub>CCO</sub> Bank 1*	V <sub>CCO</sub> Bank 1*	-
I/O, V <sub>REF</sub>	1	P164	C11	A18	36
I/O	1	P165	A13	B17	39
I/O	1	-	-	E15	42
I/O	1	-	-	A17	45
I/O	1	-	D11	D15	48
GND	-	-	GND*	GND*	-
I/O	1	P166	A12	C16	51
I/O	1	-	-	D14	54
I/O, V <sub>REF</sub>	1	P167	E11	E14	60
I/O	1	P168	B11	A16	63
GND	-	P169	GND*	GND*	-
V <sub>CCO</sub>	1	P170	V <sub>CCO</sub> Bank 1*	V <sub>CCO</sub> Bank 1*	-
V <sub>CCINT</sub>	-	P171	V <sub>CCINT</sub> *	V <sub>CCINT</sub> *	-
I/O	1	P172	A11	C15	66
I/O	1	P173	C10	B15	69
I/O	1	-	-	E13	72
I/O	1	-	-	A15	75
I/O	1	-	-	F12	78
GND	-	-	GND*	GND*	-
I/O	1	P174	B10	C14	81
I/O	1	-	-	B14	84
I/O	1	-	-	A14	87

**XC2S200 Device Pinouts (Continued)**

XC2S200 Pad Name		PQ208	FG256	FG456	Bndry Scan
Function	Bank				
I/O	1	P175	D10	D13	90
I/O	1	P176	A10	C13	93
GND	-	P177	GND*	GND*	-
V <sub>CCO</sub>	1	-	V <sub>CCO</sub> Bank 1*	V <sub>CCO</sub> Bank 1*	-
I/O, V <sub>REF</sub>	1	P178	B9	B13	96
I/O	1	P179	E10	E12	99
I/O	1	-	-	A13	105
I/O	1	-	A9	B12	108
I/O	1	P180	D9	D12	111
I/O	1	-	-	C12	114
I/O	1	P181	A8	D11	120
I, GCK2	1	P182	C9	A11	126
GND	-	P183	GND*	GND*	-
V <sub>CCO</sub>	1	P184	V <sub>CCO</sub> Bank 1*	V <sub>CCO</sub> Bank 1*	-
V <sub>CCO</sub>	0	P184	V <sub>CCO</sub> Bank 0*	V <sub>CCO</sub> Bank 0*	-
I, GCK3	0	P185	B8	C11	127
V <sub>CCINT</sub>	-	P186	V <sub>CCINT</sub> *	V <sub>CCINT</sub> *	-
I/O	0	-	-	E11	137
I/O	0	P187	A7	A10	140
I/O	0	-	D8	B10	143
I/O	0	-	-	F11	146
I/O	0	P188	A6	C10	152
I/O, V <sub>REF</sub>	0	P189	B7	A9	155
V <sub>CCO</sub>	0	-	V <sub>CCO</sub> Bank 0*	V <sub>CCO</sub> Bank 0*	-
GND	-	P190	GND*	GND*	-
I/O	0	P191	C8	B9	158
I/O	0	P192	D7	E10	161
I/O	0	-	-	C9	164
I/O	0	-	-	D10	167
I/O	0	P193	E7	A8	170
GND	-	-	GND*	GND*	-
I/O	0	-	-	D9	173
I/O	0	-	-	B8	176
I/O	0	-	-	C8	179
I/O	0	P194	C7	E9	182
I/O	0	P195	B6	A7	185
V <sub>CCINT</sub>	-	P196	V <sub>CCINT</sub> *	V <sub>CCINT</sub> *	-
V <sub>CCO</sub>	0	P197	V <sub>CCO</sub> Bank 0*	V <sub>CCO</sub> Bank 0*	-

**XC2S200 Device Pinouts (Continued)**

XC2S200 Pad Name		PQ208	FG256	FG456	Bndry Scan
Function	Bank				
GND	-	P198	GND*	GND*	-
I/O	0	P199	A5	B7	188
I/O, V <sub>REF</sub>	0	P200	C6	E8	191
I/O	0	-	-	D8	197
I/O	0	P201	B5	C7	200
GND	-	-	GND*	GND*	-
I/O	0	-	D6	D7	203
I/O	0	-	-	B6	206
I/O	0	-	-	A5	209
I/O	0	P202	A4	D6	212
I/O, V <sub>REF</sub>	0	P203	B4	C6	215
V <sub>CCO</sub>	0	-	V <sub>CCO</sub> Bank 0*	V <sub>CCO</sub> Bank 0*	-
GND	-	-	GND*	GND*	-
I/O	0	P204	E6	B5	218
I/O	0	-	D5	E7	221
I/O	0	-	-	A4	224
I/O	0	-	-	E6	230
I/O, V <sub>REF</sub>	0	P205	A3	B4	233
GND	-	-	GND*	GND*	-
I/O	0	-	C5	A3	236
I/O	0	-	-	B3	239
I/O	0	-	-	D5	242
I/O	0	P206	B3	C5	248
TCK	-	P207	C4	C4	-
V <sub>CCO</sub>	0	P208	V <sub>CCO</sub> Bank 0*	V <sub>CCO</sub> Bank 0*	-
V <sub>CCO</sub>	7	P208	V <sub>CCO</sub> Bank 7*	V <sub>CCO</sub> Bank 7*	-

04/18/01

**Notes:**

1. IRDY and TRDY can only be accessed when using Xilinx PCI cores.
2. Pads labelled GND\*, V<sub>CCINT</sub>\*, V<sub>CCO</sub> Bank 0\*, V<sub>CCO</sub> Bank 1\*, V<sub>CCO</sub> Bank 2\*, V<sub>CCO</sub> Bank 3\*, V<sub>CCO</sub> Bank 4\*, V<sub>CCO</sub> Bank 5\*, V<sub>CCO</sub> Bank 6\*, V<sub>CCO</sub> Bank 7\* are internally bonded to independent ground or power planes within the package.
3. See "[VCCO Banks](#)" for details on V<sub>CCO</sub> banking.

**Additional XC2S200 Package Pins**
**PQ208**

Not Connected Pins					
P55	P56	-	-	-	-

11/02/00

**FG256**

V <sub>CCINT</sub> Pins					
C3	C14	D4	D13	E5	E12
M5	M12	N4	N13	P3	P14
V <sub>CCO</sub> Bank 0 Pins					
E8	F8	-	-	-	-
V <sub>CCO</sub> Bank 1 Pins					
E9	F9	-	-	-	-
V <sub>CCO</sub> Bank 2 Pins					
H11	H12	-	-	-	-
V <sub>CCO</sub> Bank 3 Pins					
J11	J12	-	-	-	-
V <sub>CCO</sub> Bank 4 Pins					
L9	M9	-	-	-	-
V <sub>CCO</sub> Bank 5 Pins					
L8	M8	-	-	-	-
V <sub>CCO</sub> Bank 6 Pins					
J5	J6	-	-	-	-
V <sub>CCO</sub> Bank 7 Pins					
H5	H6	-	-	-	-
GND Pins					
A1	A16	B2	B15	F6	F7
F10	F11	G6	G7	G8	G9
G10	G11	H7	H8	H9	H10
J7	J8	J9	J10	K6	K7
K8	K9	K10	K11	L6	L7
L10	L11	R2	R15	T1	T16
Not Connected Pins					
P4	R4	-	-	-	-

**Additional XC2S200 Package Pins (Continued)**

11/02/00

**FG456**

V <sub>CCINT</sub> Pins					
E5	E18	F6	F17	G7	G8
G9	G14	G15	G16	H7	H16
J7	J16	P7	P16	R7	R16
T7	T8	T9	T14	T15	T16
U6	U17	V5	V18	-	-
V <sub>CCO</sub> Bank 0 Pins					
F7	F8	F9	F10	G10	G11
V <sub>CCO</sub> Bank 1 Pins					
F13	F14	F15	F16	G12	G13
V <sub>CCO</sub> Bank 2 Pins					
G17	H17	J17	K16	K17	L16
V <sub>CCO</sub> Bank 3 Pins					
M16	N16	N17	P17	R17	T17
V <sub>CCO</sub> Bank 4 Pins					
T12	T13	U13	U14	U15	U16
V <sub>CCO</sub> Bank 5 Pins					
T10	T11	U7	U8	U9	U10
V <sub>CCO</sub> Bank 6 Pins					
M7	N6	N7	P6	R6	T6
V <sub>CCO</sub> Bank 7 Pins					

**Additional XC2S200 Package Pins (Continued)**

G6	H6	J6	K6	K7	L7
GND Pins					
A1	A22	B2	B21	C3	C20
J9	J10	J11	J12	J13	J14
K9	K10	K11	K12	K13	K14
L9	L10	L11	L12	L13	L14
M9	M10	M11	M12	M13	M14
N9	N10	N11	N12	N13	N14
P9	P10	P11	P12	P13	P14
Y3	Y20	AA2	AA21	AB1	AB22
Not Connected Pins					
A2	A6	A12	B11	B16	C2
D1	D4	D18	D19	E17	E19
G2	G22	L2	L19	M2	M21
R3	R20	U3	U18	V6	W4
W19	Y5	Y22	AA1	AA3	AA11
AA16	AB7	AB12	AB21	-	-

11/02/00

**Revision History**

Version No.	Date	Description
2.0	09/18/00	Sectioned the Spartan-II Family data sheet into four modules. Corrected all known errors in the pinout tables.
2.1	10/04/00	Added notes requiring $\overline{\text{PWNDN}}$ to be tied to V <sub>CCINT</sub> when unused.
2.2	11/02/00	Removed the Power Down feature.
2.3	03/05/01	Added notes on pinout tables for IRDY and TRDY.
2.4	04/30/01	Reinstated XC2S50 V <sub>CCO</sub> Bank 7, GND, and "not connected" pins missing in version 2.3.
2.5	09/03/03	Added caution about Not Connected Pins to XC2S30 pinout tables on <a href="#">page 76</a> .
2.8	06/13/08	Added " <a href="#">Package Overview</a> " section. Added notes to clarify shared V <sub>CCO</sub> banks. Updated description and links. Updated all modules for continuous page, figure, and table numbering. Synchronized all modules to v2.8.